



The Signet 2552 Metal Magmeter from Georg Fischer features all-stainless steel construction. The PVDF nosepiece and FPM O-rings are the only other wetted materials. The 2552 installs quickly into standard 1¼ in. or 1½ in. pipe outlets, and is adjustable to fit pipes from DN50 to DN2550 (2 to 102 inches). Two sensor lengths allow maximum flexibility to accommodate a variety of hardware configurations, including ball valves for hot-tap installations.

When equipped with the frequency output, the 2552 is compatible with any externally powered Signet flow instrument, while the digital (S³L) output enables multi-channel compatibility with the Signet 8900 Multi-Parameter Controller. Select the blind 4 to 20 mA current output to interface directly with data loggers, PLCs or telemetry systems. Key features include Empty Pipe Detection, LED-assisted troubleshooting, and bi-directional span capability (in 4 to 20 mA models).

The Signet 3-0250 USB to Digital (S³L) Configuration/Diagnostic Tool is available to customize every performance feature in the 2552 so it can be adapted to the user's application requirements.

Features

- Test certificate included
- Award winning hot-tap magnetic flow sensor up to DN2550 (102 in.)
- Patented Magmeter technology*
- Operating range 0.05 to 10 m/s (0.15 to 33 ft/s)
- Reliable operation in harsh environments
- Repeatable: ±0.5% of reading @ 25 °C
- Three output options: 4 to 20 mA, Frequency/Digital (S³L)
- ISO or NPT Threads



Applications

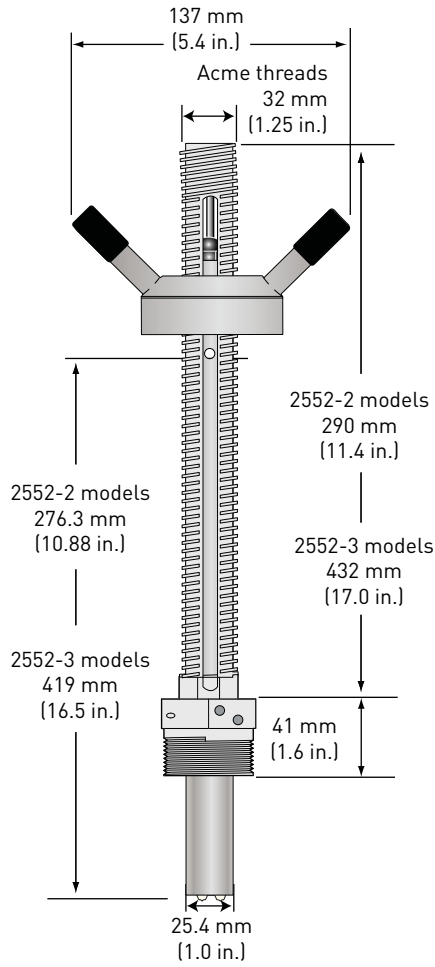
- Municipal Water Distribution
- Process and Coolant Flow
- Chemical Processing
- Wastewater
- Mining Applications
- Water Process Flow

* U.S. Patent No: 7,055,396 B1

Specifications

General				
Operating Range	Minimum	0.05 m/s	0.15 ft/s	
	Maximum	pipes to DN1200 (48 in.)	10 m/s	33 ft/s
		pipes over DN1200 (48 in.)	3 m/s	10 ft/s
Pipe Size Range	DN50 to DN2550	2 in. to 102 in.		
Linearity	±(1% reading + 0.01 m/s)	±(1% reading + 0.033 ft/s)		
Repeatability	±0.5% of reading @ 25 °C			
Accuracy	±2% of measured value*			
*In reference conditions where the fluid is water at ambient temperature, the sensor is inserted at the correct depth and there is a fully developed flow profile which is in compliance with ISO 7145-1982 (BS 1042 section 2.2)				
Minimum Conductivity	20 µs/cm			
Wetted Materials				
Body and Electrodes	316L stainless steel			
Insulator	PVDF			
O-rings	FPM (standard)			
Cable	4-cond + shield, PVC jacket (Fixed cable models) or Water-resistant rubber cable assembly with Turck® NEMA 6P connector			
Power Requirements				
4 to 20 mA	24 VDC ±10%, regulated, 22.1 mA maximum			
Frequency	5 to 24 VDC ±10%, regulated, 15 mA maximum			
Digital (S ² L)	5 to 6.5 VDC 15 mA maximum			
Reverse Polarity and Short Circuit Protected				
Cable Options				
Fixed cable	7.6 m	25 ft		
Detachable water tight sensor cable with Turck® connector (sold separately) two lengths: 4 m (13 ft) or 6 m (19.5 ft)				
Electrical				
Current Output (4 to 20 mA)	Programmable and Reversible			
	Loop Accuracy	32 µA max. error (@ 25 °C @ 24 VDC)		
	Temperature Drift	±1 µA per °C max.		
	Power Supply Rejection	±1 µA per V		
	Isolation	Low voltage < 48 VAC/DC from electrodes and auxiliary power		
	Maximum Cable	300 m	1000 ft	
	Max. Loop Resistance	300 Ω		
	Error Condition	22.1 mA		
Frequency Output	Compatible with	Signet 5075, 5500, 5600, 8550, 8900 and 9900		
	Max. Pull-up Voltage	30 VDC		
	Short Circuit Protected	≤30 V @ 0 Ω pull-up for one hour		
	Reverse Polarity Protected	to -40 V for 1 hour		
	Over-voltage Protected to +40 V for 1 hour			
	Max. Current Sink	50 mA, current limited		
	Maximum Cable	300 m	1,000 ft	
Digital (S ² L) Output	Compatible with	Signet 8900		
	Serial ASCII, TTL level 9600 bps			
	Maximum Cable	Application dependent (See 8900 manual) in non-icing conditions		
Operating Temp.	Ambient (non-icing conditions)	-15 °C to 70 °C	5 °F to 158 °F	
	Media	-15 °C to 85 °C	5 °F to 185 °F	
Max. Operating Pressure	20.7 bar @ 25 °C	300 psi @ 77 °F		
Hot-Tap Installation Requirements				
Maximum Installation Pressure	20.7 bar	300 psi		
Maximum Installation Temp (Insertion/Removal)	40 °C	104 °F		
Do not use hot-tap installation where temperatures will exceed 40 °C or if hazardous liquids are present.				
Standards and Approvals				
CE				
RoHS compliant, China RoHS				
U.S. Patent No. 7,055,396 B1				
NEMA 4 (IP65)	Fixed cable models			
NEMA 6P (IP68)	Submersible cable models only. Signet recommends maximum 3 m (10 ft) submersion depth for maximum 10 days continuous submersion.			
Manufactured under ISO 9001 for Quality and ISO 14001 for Environmental Management				

Dimensions



In-Line Installation

System Overview	Panel Mount	Field Mount - Pipe, Tank, Wall	4 to 20 mA Input
	Signet Instruments 5075 5500 5600 8550 8900 9900	Signet Instruments 8550 9900 with 3-8050 Universal Mount Kit	Customer Supplied Chart Recorder or Programmable Logic Controller
Signet 2552 Magmeter (Standard or Hot-Tap)			
ball or gate valve 1/4" or 1/2"		nipple 1/4" or 1/2"	Weld-on weldolet 1/4" or 1/2" outlet
			Iron strap-on saddle 1/4" or 1/2" outlet
			 All sold separately

Sensor Selection Guide

The 2552 Magmeter can be installed into a variety of pipe sizes. Follow the steps below to ensure that you choose the right sensor for your application.

Step 1: Determine how the sensor will be installed

A. For standard (non Hot-Tap) installations:

The height of the weldolet (threadolet) and pipe adapter(s) should be determined before the sensor is purchased.

- For retrofit installations, the stack height, or "A" dimension (see Fig. 1), is the overall height from the top of the pipe to the highest point of the stack.
- Sensor tip must be positioned at 10% of pipe ID
- For new installations, Signet recommends a weldolet (threadolet) and an adapter to accommodate the 1¼ in. (or 1½ in. for 2552-3) sensor process threads. The stack height, or "A" dimension (see Fig. 1), is the overall height from the top of the pipe to the highest point of the stack before the sensor is connected

B. For Hot-Tap installations:

The stack height of the ball valve, nipple weldolet (threadolet) and pipe adapters should be determined before the sensor is purchased.

- For retrofit installations, the ball valve must be at least a 1¼ in. (or 1½ in. for 2552-3) valve. The stack height, or "A" dimension (see Fig. 2), is the overall height from the top of the pipe to the top of the ball valve.
- Sensor tip base must be positioned at 10% of pipe ID
- For new installations, Signet recommends a 1¼ in. or 1½ in. full port ball valve, a short nipple and a weldolet (threadolet). The stack height or "A" dimension (see Fig. 2) is the overall height from the top of the pipe to the top of the ball valve before the sensor is connected.

Fig. 1
Standard installation with "A" dimension using a weldolet (threadolet)

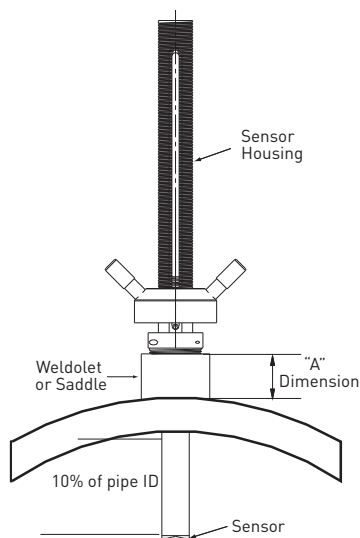
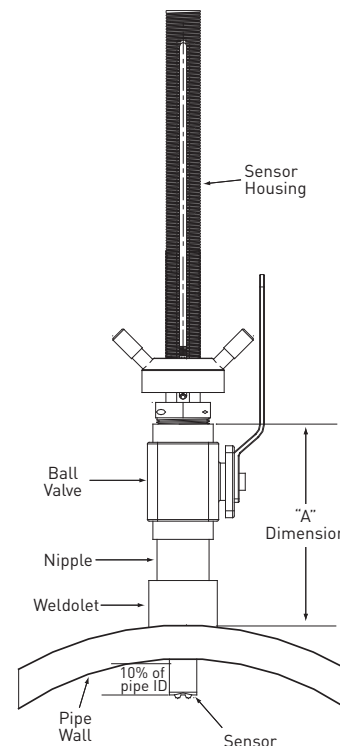


Fig. 2
Hot-Tap installation with "A" dimension using a ball valve, short nipple and weldolet (threadolet)



Step 2: Determine how the sensor will be installed

Once the "A" dimension is determined, go to the sensor selection table and find your "A" dimension on the left column. Next, find the appropriate pipe size at the top of the chart. To determine the correct sensor size locate where the pipe size column meets the max "A" dimension row.

		Pipe Size																													
		inches	2	2.5	3 to 3 1/2	4	5	6 to 8	10	12 to 14	16	18	20	22	24	26 to 28	30 to 32	34	36 to 38	40 to 42	48	54	60	66	72	78	84	102			
		DN	50	65	80 to 90	100	125	150 to 200	250	300 to 350	400	450	500	550	600	650 to 700	750 to 800	850	900 to 950	1000 to 1100	1200	1400	1500	1700	1800	2000	2100	2558 m			
Max. "A" Dim	mm	inches	2	2	2	2	2	2	2	2	2	2	2	2	2	2	2	2	2	2	2	2	2	2	3	3	3	3	3	3	
	50.8	2																													
	63.5	2.5																													
	76.2	3																													
	88.9	3.5																													
	101.6	4																													
	114.3	4.5																													
	127	5																													
	139.7	5.5																													
	152.4	6																													
	165.1	6.5																													
	177.8	7																													
	190.5	7.5																													
	228.6	9																													
	241.3	9.5																													
	254	10																													
	266.7	10.5																													
	279.4	11																													
	292.1	11.5																													
	304.8	12																													
317.5	12.5																														
330.2	13																														
342.9	13.5																														
355.6	14																														
375.9	14.8																														
381	15																														

Legend:

- 2:** Use 3-2552-2, max. insertion = 236 mm (9.3 in.)
- 3:** Use 3-2552-3, max. insertion = 368 mm (14.8 in.)

This chart is based on the thickest commonly available pipe.

Step 3: Refer to Ordering Information to select corresponding part numbers

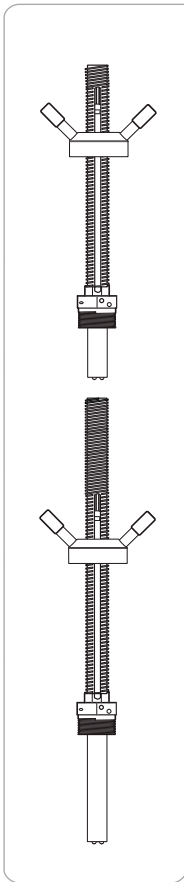
Ordering Notes

- 1) Sensor insertion depth is the distance from the bottom of the sensor housing to the tip of the sensor.
- 2) Hot-Tap installations require a 1 1/4 in. or 1 1/2 in. ball valve.
- 3) See Sensor Selection Guide on previous page to determine the sensor length required.

Application Tips

- Minimum process liquid conductivity requirement is 20 µS/cm.
- 1 1/2 x 1 1/4 inch and 2 x 1 1/4 inch (2552-2 only) retrofit adapters are available for replacement installations of Signet 2550 and 2540 sensors.

Ordering Information



Mfr. Part No.	Code	Sensor Insertion Depth	Process Connection Thread Options
Frequency or Digital (S³L) output			
for use with any Signet Flow or Multi-Parameter Instruments			
Fixed Cable, 7.6 m (25 ft); no connector			
3-2552-21-A-11	159 001 513	9.3 inches*	1¼ inch NPT**
3-2552-22-A-11	159 001 517	9.3 inches*	1¼ inch ISO**
3-2552-33-A-11	159 001 521	14.8 inches*	1½ inch NPT**
3-2552-34-A-11	159 001 522	14.8 inches*	1½ inch ISO**
Watertight sensor connector; cable sold separately			
3-2552-21-B-11	159 001 515	9.3 inches*	1¼ inch NPT**
3-2552-22-B-11	159 001 519	9.3 inches*	1¼ inch ISO**
3-2552-33-B-11	159 001 523	14.8 inches*	1½ inch NPT**
3-2552-34-B-11	159 001 524	14.8 inches*	1½ inch ISO**
4 to 20 mA output			
Fixed Cable, 7.6 m (25 ft); no connector			
3-2552-21-A-12	159 001 514	9.3 inches*	1¼ inch NPT**
3-2552-22-A-12	159 001 518	9.3 inches*	1¼ inch ISO**
3-2552-33-A-12	159 001 525	14.8 inches*	1½ inch NPT**
3-2552-34-A-12	159 001 526	14.8 inches*	1½ inch ISO**
Watertight sensor connector; cable sold separately			
3-2552-21-B-12	159 001 516	9.3 inches*	1¼ inch NPT**
3-2552-22-B-12	159 001 520	9.3 inches*	1¼ inch ISO**
3-2552-33-B-12	159 001 527	14.8 inches*	1½ inch NPT**
3-2552-34-B-12	159 001 528	14.8 inches*	1½ inch ISO**

* Customer must determine stack height (ball valve, nipple, weldolet, etc.). Refer to Sensor Selection on previous page to determine "A" dimension. Sensor tip must be positioned at 10% of pipe ID.

** 1¼ inch process connection is the standard thread size on the 3-2552-2X-X-XX: For the 2552-3 the 1½ inch process connection is standard and the 1¼ inch is available as a special order.

Accessories and Replacement Parts

Mfr. Part No.	Code	Description
2120-1512	159 001 425	1½ x 1¼ inch NPT adapter for retrofitting 2540 installation to 2552 - 316 SS
2120-2012	159 001 426	2 x 1¼ inch NPT adapter for retrofitting 2550 installation to 2552 - 316 SS
3-2552.392	159 001 530	1¼ inch NPT full port stainless steel ball valve and nipple kit
3-2552.393	159 001 531	1¼ inch NPT full port brass ball valve & nipple kit
3-2552.394	159 001 532	1½ inch NPT conduit adapter, aluminum for -1 and -2 units
3-2552.397	159 001 603	Water-tight connector, no cable included
4301-2125	159 001 533	1¼ inch NPT full port ball valve - brass
4301-2150	159 001 706	1½ inch NPT full port ball valve , brass
4301-3125	159 001 387	1¼ inch NPT full port ball valve - stainless steel
4301-3150	159 001 707	1½ inch NPT, full port ball valve, 316 SS
5541-4184	159 001 388	4-conductor cable assembly with water-tight connector, 4 m (13 ft)
5541-4186	159 001 389	4-conductor cable assembly with water-tight connector, 6 m (19.5 ft)
special order	special order	4-conductor cable assembly with water-tight connector, cable length in 25 ft increments
special order	special order	1¼ in. NPT or ISO process connection threads to replace 1½ in. NPT or ISO threads
3-0250	159 001 538	USB to Digital (S ³ L) Configuration/Diagnostic tool

3-2552.099 Rev C (10/11)

© Georg Fischer Signet LLC

3401 Aerojet Avenue, El Monte, CA 91731-2882 U.S.A. • Tel. (626) 571-2770 • Fax (626) 573-2057 • www.gfsignet.com • e-mail: signet.ps@georgfischer.com

Specifications subject to change without notice. All rights reserved. All corporate names and trademarks stated herein are the property of their respective companies.