



Georg Fischer Signet offers single channel intrinsic safety barriers for use with the 515 and 525 paddlewheel flow sensors.

Both versions use a 1/2 inch wide housing which snaps directly to a 35 mm DIN rail. Once mounted, an electrical connection is formed between the barrier and the rail. The rail serves as the intrinsic safety ground bus when connected to the designated grounding point. Two additional ground lugs are provided and may be used as a redundant grounding method or for terminating shields.

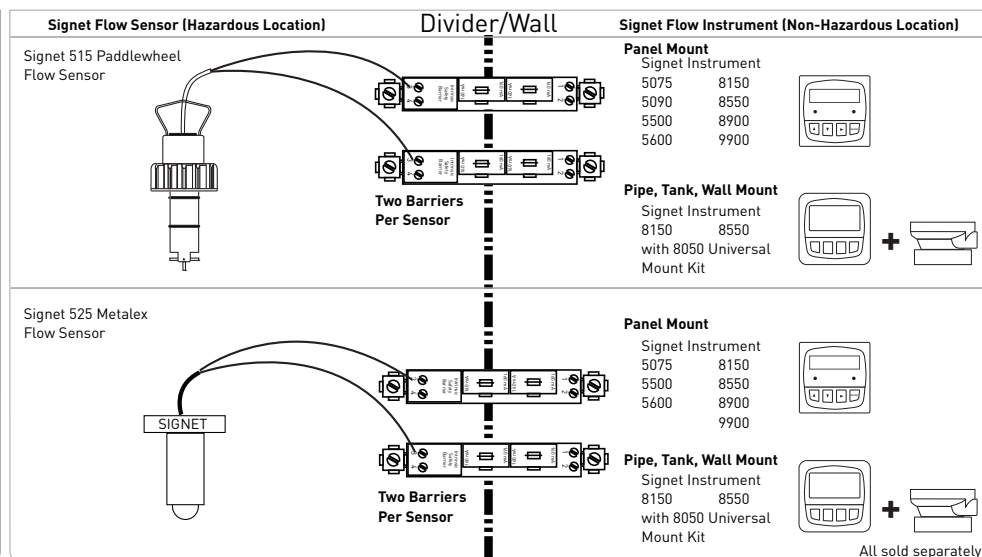
Each barrier also contains a replaceable 160 mA fuse cartridge for each channel. Safety barriers are polarity sensitive devices and are available in +DC and AC voltage ratings.

Features

- One step, snap-on 35 mm DIN rail mounting and grounding
- Replaceable 160 mA fuse
- Lowest internal resistance
- Common 1/2 in. wide housing for single channel versions
- Short-circuit proof connections
- FM, UL, CSA approved
- Compatible with Signet 515 and 525 flow sensors



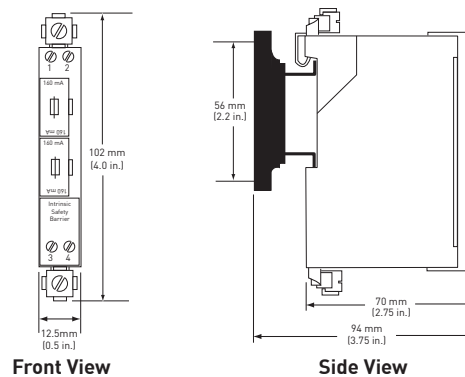
System Overview



Specifications

General		
Housing Material	Polyamide	
Mounting Method	NS35/15 DIN Rail (standard)	Surface Mount (with adaptor)
Screw terminal size	Four #14 AWG (1.5 mm ²) captured, self-opening Two #12 AWG (4.0 mm ²) for ground and shield	
Electrical		
Rated Voltage 6400-9001		
Voltage Range	16-18 V	
Internal Resistance	2220 Ω	
Short-Circuit Proof at Rated Voltage		
Open Circuit Voltage	19.9 V	
Short Circuit Current	9.1 mA	
Max. Power Transfer	0.045 W	
Allowed Capacitance	0.34 μA	
Rated Voltage 6400-9001		
Voltage Range	6-7.7 V	
Internal Resistance	338 Ω	
Short-Circuit Proof at Rated Voltage		
Open Circuit Voltage	9.6 V	
Short Circuit Current	29.2 mA	
Max. Power Transfer	0.070 W	
Allowed Capacitance	3.70 μA	
Environmental		
Operating Temperature	-20 °C to 60 °C	-4 °F to 140 °F
Storage Temperature	-40 °C to 75 °C	-40 °F to 167 °F
Relative Humidity	Up to 95%, non-condensing	
Shipping Weight		
	100 g	0.22 lb
Standards and Approvals		
	UL, CSA	
	FM Class I, II, III/groups A-G	

Dimensions



Ordering Information

Mfr. Part No.	Code	Description
6400-9001	159 001 466	Intrinsic Safety Barrier for use with Signet 515 flow sensor (2 per sensor required)
6402-9001	159 001 486	Intrinsic Safety Barrier for use with Signet 525 flow sensors (2 per sensor)

3-6400.099 Rev B (11/11)

© Georg Fischer Signet LLC

3401 Aerojet Avenue, El Monte, CA 91731-2882 U.S.A. • Tel. (626) 571-2770 • Fax (626) 573-2057 • www.gfsignet.com • e-mail: signet.ps@georgfischer.com
Specifications subject to change without notice. All rights reserved. All corporate names and trademarks stated herein are the property of their respective companies.