


























SYGEF Standard

		Page
	Pipes	12
	Fittings for butt fusion	13
	Unions for butt fusion	18
	Transition fittings for butt fusion	22
	Flange Adaptors, Flanges and Gaskets for butt fusion	24
	Fittings for socket fusion	30
	Unions for socket fusion	33
	Transition fittings for socket fusion	37
	Flange Adaptors, Flanges and Gaskets for socket fusion	39
	Installation fittings	46
	Ball valves	50
	Diaphragm valves new generation	83
	Butterfly valves	95

		Page
	Cone check valves	108
	Check valves	116
	AQUATAP	121
	Ball valves silicone free/paint compatible	125
	Cone check valves silicone free	135
	Ball valves electric	138
	Ball valves pneumatic	169
	Diaphragm valves pneumatic New generation	219
	Butterfly valves electric	230
	Butterfly valves pneumatic	242
	Solenoid valves	251
	Process control valves	255
	Variable area flow meters	262

SYGEF Standard – System Specification

Material	Polyvinylidene fluoride (PVDF)
Colour	translucent
Density	~1.78g/cm ³ (ISO 1183 / ASTM D 792)
Surface tension	30–35mJ/m ²
Linear expansion coefficient	0.12–0.18mm/mK (DIN 53752)
E-modulus	≥1800N/mm ² (ISO 527/ASTM D 790)
Thermal conductivity	0.19W/mK (EN12664)
Surface resistivity	5x10 ¹⁴ Ωcm (IEC 60093)
Dimension	d 20 (½")–d 225 (8") in accordance to ISO 10931
Pressure rating	Pipes/fittings: PN 16 (d 20–d 225), PN 10 (d 90–d 225) Valves: separate specification
Temperature rating	from –20 °C to 140 °C (-4 °F–284 °F)
Production	Fittings/valves: injection moulded Pipes: extruded Valves: injection moulded (additional available oil free treated and paint compatible /silicon free)
Surface finish	Inner surface Ra ≤0.5µm (20µin) for injection moulded and extruded components
Marking	All components are embossed with a permanent identification during the production process to ensure full traceability. Lot No Material Dimension Pressure Rating
Testing and inspection (ISO 10931)	Inclusions Visual inspection Surface finish Dimension tolerance Pressure testing
Approvals/conformance⁽¹⁾	DIBt ASME BPE FDA CFR 21 177.2510 USP 25 class VI (physiological non-toxic) FM-4910 listing
Welding technology	BCF Plus, bead and crevice free fusion, size d 20 (½")–d 110 (4") IR Plus, infrared fusion (DVS 2207-6), size d 20 (½")–d 225 (8") BF, butt fusion (DVS 2207-15)
Documentation⁽²⁾	Certificate of Conformance with FDA, USP EN 10204 2.2 EN 10204 3.1
Packing⁽³⁾	Multiple components single bagged in specified bag
Labeling	Brand Name Product Description Code Number Material Dimension
Main applications	Uses include delivery of pharmaceutical grade purified water (PW) and DI water, using hot water, steam chemical or ozone sanitisation. Due to its excellent chemical resistance it is widely used in chemical distribution systems.

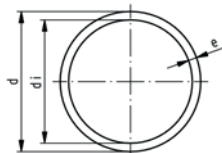
⁽¹⁾ For thermoplastic material only

⁽²⁾ on request

⁽³⁾ not for socket fusion products

Pipes

75 48 02



SYGEF Standard pipes PN16

Model:

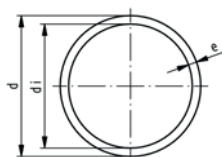
- Material: PVDF
- Length: Lengths of 5 m

* on request

d [mm]	PN	FM	Code	kg/m	e [mm]	di [mm]
16	16	BCF, IR	175 480 202	0.171	1.9	12.2
20	16	BCF, IR	175 480 203	0.210	1.9	16.2
25	16	BCF, IR	175 480 204	0.269	1.9	21.2
32	16	BCF, IR	175 480 205	0.435	2.4	27.2
40	16	BCF, IR	175 480 206	0.563	2.4	35.2
50	16	BCF, IR	175 480 207	0.850	3.0	44.0
63	16	BCF, IR	175 480 208	1.090	3.0	57.0
75	16	BCF, IR	175 480 209	1.550	3.6	67.8
90	16	BCF, IR	175 480 210	2.230	4.3	81.4
110	16	BCF, IR	175 480 211	3.330	5.3	99.4
140	16	IR	175 480 213	5.312	6.7	126.6
160	16	IR	175 480 214	6.961	7.7	144.6
200	16	IR	175 480 216	10.862	9.6	180.8
225	16	IR	175 480 217	13.700	10.8	203.4

PF 2 35 188 001

75 48 06



SYGEF Standard pipes PN10

Model:

- Material: PVDF
- Length: Lengths of 5 m

* on request

d [mm]	PN	FM	Code	kg/m	e [mm]	di [mm]
90	10	BCF, IR	175 480 665	1.480	2.8	84.4
110	10	BCF, IR	175 480 666	2.200	3.4	103.2
* 125	10	IR	175 480 667	2.840	3.9	117.2
140	10	IR	175 480 673	3.520	4.3	131.4
160	10	IR	175 480 668	4.540	4.9	150.2
200	10	IR	175 480 669	7.190	6.2	187.6
225	10	IR	175 480 670	8.950	6.9	211.2
250	10	IR	175 480 671	11.100	7.7	235.4
280	10	IR	175 480 656	13.900	8.6	261.8
315	10	IR	175 480 674	17.600	9.7	296.4

PF 2 35 188 002

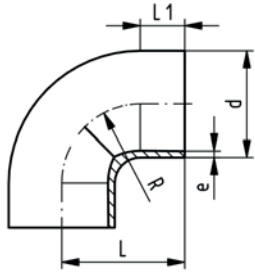
Fittings for butt fusion

SYGEF Standard bend 90° PN16

35 01 87

Model:

- Material: PVDF



PF 2 35 190 006

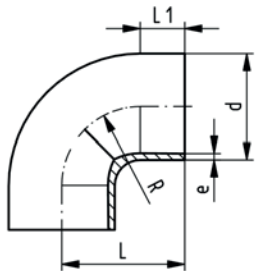
d [mm]	PN	FM	Code	kg	e [mm]	L [mm]	L1 [mm]	R [mm]
20	16	BCF, IR	735 018 706	0.016	1.9	38	23	15
25	16	BCF, IR	735 018 707	0.022	1.9	42	23	19
32	16	BCF, IR	735 018 708	0.038	2.4	46	22	24
40	16	BCF, IR	735 018 709	0.051	2.4	51	21	30
50	16	BCF, IR	735 018 710	0.088	3.0	58	21	37
63	16	BCF, IR	735 018 711	0.128	3.0	66	21	45
75	16	BCF, IR	735 018 712	0.285	3.6	75	23	62
90	16	BCF, IR	735 018 713	0.449	4.3	90	23	77
110	16	BCF, IR	735 018 714	0.736	5.3	110	23	98
140	16	IR	735 018 716	1.584	6.7	140	33	121
160	16	IR	735 018 717	2.258	7.7	160	33	141
200	16	IR	735 018 719	3.798	9.6	200	33	181
225	16	IR	735 018 720	5.726	10.8	220	33	200

35 01 85

SYGEF Standard bend 90° PN10

Model:

- Material: PVDF



PF 2 35 190 002

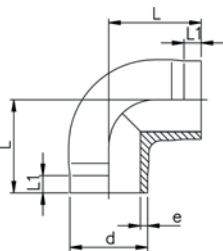
d [mm]	PN	FM	Code	kg	e [mm]	L [mm]	L1 [mm]	R [mm]
90	10	BCF, IR	735 018 513	0.352	2.8	90	23	77
110	10	BCF, IR	735 018 514	0.605	3.4	110	23	98
125	10	IR	735 018 515	0.670	3.9	125	28	112
140	10	IR	735 018 516	1.238	4.3	140	33	121
160	10	IR	735 018 517	1.731	4.9	160	33	141
200	10	IR	735 018 519	2.730	6.2	200	33	181
225	10	IR	735 018 520	4.094	6.9	220	33	200

35 10 86

SYGEF Standard elbow 90° PN16

Model:

- Material: PVDF



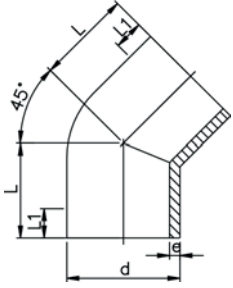
PF 2 35 190 007

d [mm]	PN	FM	Code	kg	e [mm]	L [mm]	L1 [mm]
20	16	BCF, IR	735 108 606	0.022	1.9	38	25
25	16	BCF, IR	735 108 607	0.030	1.9	42	26
32	16	BCF, IR	735 108 608	0.049	2.4	46	26
40	16	BCF, IR	735 108 609	0.069	2.4	51	28
50	16	BCF, IR	735 108 610	0.119	3.0	58	28
63	16	BCF, IR	735 108 611	0.198	3.0	66	28

35 15 86

SYGEF Standard elbow 45° PN16**Model:**

- Material: PVDF



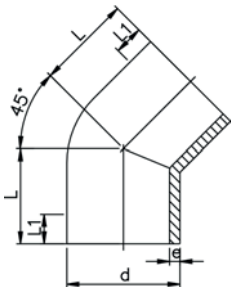
PF 2 35 190 008

d [mm]	PN	FM	Code	kg	e [mm]	L [mm]	L1 [mm]
20	16	BCF, IR	735 158 606	0.019	1.9	32	25
25	16	BCF, IR	735 158 607	0.025	1.9	34	26
32	16	BCF, IR	735 158 608	0.038	2.4	36	26
40	16	BCF, IR	735 158 609	0.054	2.4	39	28
50	16	BCF, IR	735 158 610	0.084	3.0	42	30
63	16	BCF, IR	735 158 611	0.121	3.0	47	31
75	16	BCF, IR	735 158 612	0.160	3.6	49	32
90	16	BCF, IR	735 158 613	0.294	4.3	57	37
110	16	BCF, IR	735 158 614	0.480	5.3	70	46
140	16	IR	735 158 616	1.000	6.7	88	57
160	16	IR	735 158 617	1.470	7.7	100	62
200	16	IR	735 158 619	2.800	9.6	124	77
225	16	IR	735 158 620	4.000	10.8	140	88

35 15 85

SYGEF Standard elbow 45° PN10**Model:**

- Material: PVDF



PF 2 35 190 003

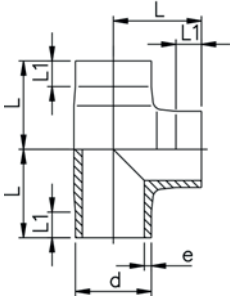
d [mm]	PN	FM	Code	kg	e [mm]	L [mm]	L1 [mm]
90	10	BCF, IR	735 158 513	0.219	2.8	57	37
110	10	BCF, IR	735 158 514	0.379	3.4	70	46
125	10	IR	735 158 515	0.490	3.9	79	51
140	10	IR	735 158 516	0.680	4.3	88	57
160	10	IR	735 158 517	0.990	4.9	100	62
200	10	IR	735 158 519	2.060	6.2	124	77
225	10	IR	735 158 520	2.923	6.9	140	88

35 20 86

SYGEF Standard T 90° equal PN16

Model:

- Material: PVDF



PF 2 35 190 001

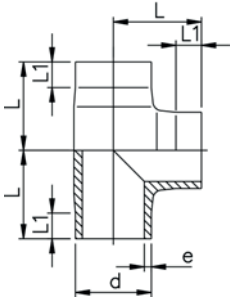
d [mm]	PN	FM	Code	kg	e [mm]	L [mm]	L1 [mm]
20	16	BCF, IR	735 208 606	0.028	1.9	38	25
25	16	BCF, IR	735 208 607	0.040	1.9	42	27
32	16	BCF, IR	735 208 608	0.065	2.4	46	27
40	16	BCF, IR	735 208 609	0.095	2.4	51	28
50	16	BCF, IR	735 208 610	0.156	3.0	58	28
63	16	BCF, IR	735 208 611	0.270	3.0	66	28
75	16	BCF, IR	735 208 612	0.364	3.6	75	32
90	16	BCF, IR	735 208 613	0.628	4.3	90	39
110	16	BCF, IR	735 208 614	1.122	5.3	110	48
140	16	IR	735 208 616	2.600	6.7	140	62
160	16	IR	735 208 617	3.500	7.7	160	71
200	16	IR	735 208 619	6.725	9.6	200	80
225	16	IR	735 208 620	8.986	10.8	220	86

35 20 85

SYGEF Standard T 90° equal PN10

Model:

- Material: PVDF



PF 2 35 190 009

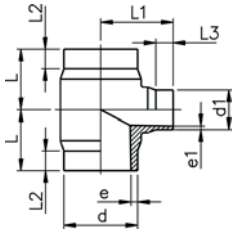
d [mm]	PN	FM	Code	kg	e [mm]	L [mm]	L1 [mm]
90	10	BCF, IR	735 208 513	0.397	2.8	90	39
110	10	BCF, IR	735 208 514	0.714	3.4	110	48
125	10	IR	735 208 515	1.280	3.9	125	56
140	10	IR	735 208 516	1.611	4.3	140	62
160	10	IR	735 208 517	2.385	4.9	160	71
200	10	IR	735 208 519	4.297	6.2	200	80
225	10	IR	735 208 520	6.900	6.9	220	86

35 20 86

SYGEF Standard T 90° reduced PN16

Model:

- Material: PVDF



PF 2 35 426 001

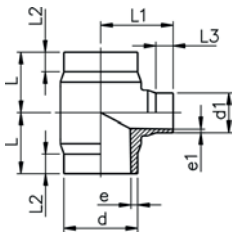
d - d1 [mm]	PN	FM	Code	kg	e [mm]	e1 [mm]	L [mm]	L1 [mm]	L2 [mm]	L3 [mm]
160 - 90	16	IR	735 208 662	3.200	7.7	4.3	155	130	60	25
160 - 110	16	IR	735 208 661	3.300	7.7	5.3	155	130	60	25
225 - 90	16	IR	735 208 670	6.000	10.8	4.3	155	160	60	25
225 - 110	16	IR	735 208 669	6.100	10.8	5.3	155	160	60	25

35 20 85

SYGEF Standard T 90° reduced PN10

Model:

- Material: PVDF



PF 2 35 426 001

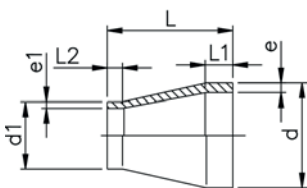
d - d1 [mm]	PN	FM	Code	kg	e [mm]	e1 [mm]	L [mm]	L1 [mm]	L2 [mm]	L3 [mm]
160 - 90	10	IR	735 208 562	2.300	4.9	4.3	155	130	60	25
160 - 110	10	IR	735 208 561	2.300	4.9	5.3	155	130	60	25
225 - 90	10	IR	735 208 570	4.400	6.9	4.3	155	160	60	25
225 - 110	10	IR	735 208 569	4.286	6.9	5.3	155	160	60	25

35 90 86

SYGEF Standard reducer PN16

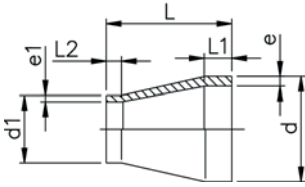
Model:

- Material: PVDF



d - d1 [mm]	PN	FM	Code	kg	e [mm]	e1 [mm]	L [mm]	L1 [mm]	L2 [mm]
25 - 20	16	BCF, IR	735 908 637	0.017	1.9	1.9	50	22	22
32 - 20	16	BCF, IR	735 908 642	0.022	2.4	1.9	50	22	22
32 - 25	16	BCF, IR	735 908 641	0.024	2.4	1.9	50	22	22
40 - 20	16	BCF, IR	735 908 648	0.029	2.4	1.9	58	22	24
40 - 25	16	BCF, IR	735 908 647	0.030	2.4	1.9	55	22	24
40 - 32	16	BCF, IR	735 908 646	0.034	2.4	2.4	55	22	24
50 - 25	16	BCF, IR	735 908 654	0.046	3.0	1.9	60	22	25
50 - 32	16	BCF, IR	735 908 653	0.050	3.0	2.4	60	22	25
50 - 40	16	BCF, IR	735 908 652	0.040	3.0	2.4	60	22	25
63 - 32	16	BCF, IR	735 908 660	0.066	3.0	2.4	65	22	25
63 - 40	16	BCF, IR	735 908 659	0.078	3.0	2.4	65	22	25
63 - 50	16	BCF, IR	735 908 658	0.077	3.0	3.0	65	22	25
75 - 40	16	BCF, IR	735 908 666	0.096	3.6	2.4	68	24	25
75 - 50	16	BCF, IR	735 908 665	0.100	3.6	3.0	65	24	25
75 - 63	16	BCF, IR	735 908 664	0.080	3.6	3.0	65	24	25
90 - 63	16	BCF, IR	735 908 671	0.150	4.3	3.0	75	25	30
90 - 75	16	BCF, IR	735 908 670	0.164	4.3	3.6	75	25	35
110 - 63	16	BCF, IR	735 908 678	0.257	5.3	3.0	90	30	30
110 - 75	16	BCF, IR	735 908 677	0.213	5.3	3.6	90	30	35
110 - 90	16	BCF, IR	735 908 676	0.282	5.3	4.3	90	30	35
140 - 110	16	IR	735 908 685	0.450	6.7	5.3	110	40	40
160 - 110	16	IR	735 908 690	0.650	7.7	5.3	160	40	40
160 - 140	16	IR	735 908 688	0.450	7.7	5.3	120	40	40
200 - 160	16	IR	735 908 692	1.340	9.6	7.7	120	40	35

table continued next page



PF 2 35 190 011

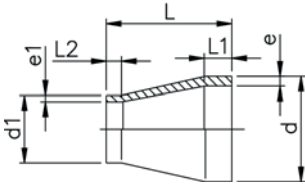
d - d1 [mm]	PN	FM	Code	kg	e [mm]	e1 [mm]	L [mm]	L1 [mm]	L2 [mm]
225 - 110	16		IR 735 908 695	1.540	10.8	5.3	160	50	40
225 - 160	16		IR 735 908 696	1.730	10.8	7.7	160	50	40
225 - 200	16		IR 735 908 697	1.980	10.8	9.6	160	55	50

35 90 85

SYGEF Standard reducer PN10

Model:

- Material: PVDF



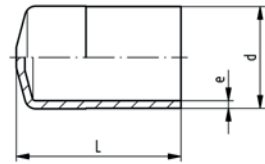
PF 2 35 190 005

d - d1 [mm]	PN [bar]	FM	Code	kg	e [mm]	e1 [mm]	L [mm]	L1 [mm]	L2 [mm]
90 - 63	10 / 16	BCF, IR	735 908 551	0.124	2.8	3.0	75	25	30
110 - 63	10 / 16	BCF, IR	735 908 553	0.196	3.4	3.0	90	30	30
110 - 90	10 / 10	BCF, IR	735 908 555	0.197	3.4	2.8	90	30	35
125 - 110	10 / 16	IR	735 908 580	0.270	3.9	5.3	100	35	40
140 - 110	10 / 16	IR	735 908 585	0.385	4.3	5.3	110	40	40
140 - 125	10 / 10	IR	735 908 584	0.340	4.3	3.9	110	40	40
160 - 110	10 / 10	IR	735 908 561	0.516	4.9	3.4	120	40	40
160 - 110	10 / 16	IR	735 908 590	0.573	4.9	5.3	120	40	40
160 - 140	10 / 10	IR	735 908 588	0.568	4.9	4.3	120	40	40
200 - 160	10 / 10	IR	735 908 592	0.830	6.2	4.9	145	50	40
225 - 110	10 / 10	IR	735 908 566	1.120	6.9	3.4	160	55	35
225 - 110	10 / 16	IR	735 908 595	0.940	6.9	5.3	160	55	35
225 - 160	10 / 10	IR	735 908 596	1.140	6.9	4.9	160	55	40
225 - 200	10 / 10	IR	735 908 597	1.200	6.9	6.2	160	55	50

SYGEF Standard cap PN16

Model:

- Material: PVDF

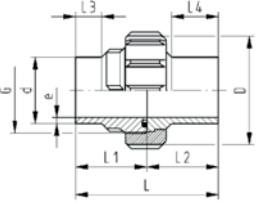


PF 2 35 190 017

d [mm]	PN	FM	Code	SP	kg	e [mm]	L [mm]
20	16	BCF, IR	735 968 006	1	0.009	1.9	47
25	16	BCF, IR	735 968 007	1	0.012	1.9	47
32	16	BCF, IR	735 968 008	1	0.022	2.4	52

Unions for butt fusion

35 52 86



SYGEF Standard union (FPM black) PN16

Model:

- Material: PVDF
- d75, d90 and d110 with buttress shaped thread

Note:

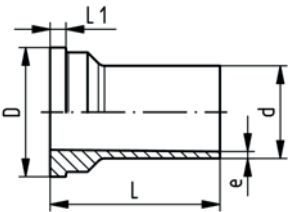
For the dimensions d75-110 please see instructions for the installation

d [mm]	PN	FM	Code	kg
20	16	BCF, IR	735 528 606	0.074
25	16	BCF, IR	735 528 607	0.110
32	16	BCF, IR	735 528 608	0.153
40	16	BCF, IR	735 528 609	0.235
50	16	BCF, IR	735 528 610	0.293
63	16	BCF, IR	735 528 611	0.465
75	16	BCF, IR	735 528 612	0.740
90	16	BCF, IR	735 528 613	0.730
110	16	BCF, IR	735 528 614	1.020

d [mm]	D [mm]	e [mm]	L [mm]	L1 [mm]	L2 [mm]	L3 [mm]	L4 [mm]	G [inch]
20	43	1.9	106	53	53	25	37	1
25	53	1.9	112	56	56	25	38	1 1/4
32	60	2.4	118	59	59	25	40	1 1/2
40	74	2.4	124	62	62	25	41	2
50	82	3.0	130	65	65	25	43	2 1/4
63	100	3.0	136	68	68	25	44	2 3/4
75	133	3.6	132	66	66	24	34	S107.5x3.6
90	133	4.3	130	65	65	24	48	S107.5x3.6
110	155	5.3	130	65	65	25	45	S127.5x3.6

PF 2 35 421 040

35 60 86



SYGEF Standard union end PN16

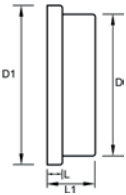
Model:

- Material: PVDF
- Suitable for SYGEF Standard Union Butt Fusion
- Suitable for Diaphragm Valves Type 314 and 514
- Suitable for Vortex Sensor

d [mm]	PN	FM	Code	kg	D [mm]	e [mm]	L [mm]	L1 [mm]
20	16	BCF, IR	735 608 606	0.020	30	1.9	53	5
25	16	BCF, IR	735 608 607	0.030	39	1.9	56	5
32	16	BCF, IR	735 608 608	0.044	45	2.4	59	6
40	16	BCF, IR	735 608 609	0.069	57	2.4	62	6
50	16	BCF, IR	735 608 610	0.082	63	3.0	65	7
63	16	BCF, IR	735 608 611	0.127	78	3.0	68	8
75	16	BCF, IR	735 608 612	0.194	101	3.6	66	9
90	16	BCF, IR	735 608 613	0.187	101	4.3	65	9
110	16	BCF, IR	735 608 614	0.263	121	5.3	65	10

PF 2 35 421 999

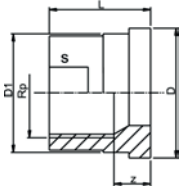
Blanking Union End



d [mm]	PN	Code	SP	kg	D [mm]	D1 [mm]	L [mm]	L1 [mm]
20	10	155 482 101	-	0.007	28	30	5	13
25	10	155 482 102	-	0.015	36	38	6	15
32	10	155 482 103	-	0.025	36	38	6	16
40	10	155 482 104	-	0.043	42	45	6	17
50	10	155 482 105	-	0.060	59	63	7	20
63	10	155 482 106	-	0.110	74	78	8	22

PF 2 65 434 001

24 60 06



PF 2 30 153 999

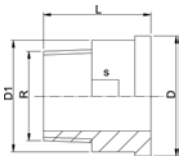
Union end stainless steel Rp

Model:

- Material: Stainless Steel 1.4404 (316L)
- Parallel female thread Rp

Rp [inch]	PN	Code	SP	kg	z [mm]	D [mm]	D1 [mm]	L [mm]	s [mm]
3/8	16	724 600 655	10	0.030	9	24	22	19	19
1/2	16	724 600 656	10	0.060	11	30	28	24	24
3/4	16	724 600 657	10	0.092	11	39	36	26	29
1	16	724 600 658	10	0.137	12	45	42	29	36
1 1/4	16	724 600 659	10	0.226	14	57	53	33	45
1 1/2	16	724 600 660	10	0.314	15	63	59	34	54
2	16	724 600 661	10	0.450	15	78	74	39	63

24 60 07



PF 2 30 153 999

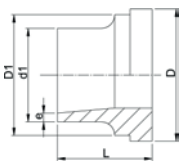
Union end stainless steel R

Model:

- Material: Stainless Steel 1.4404 (316L)
- Taper male thread R

R [inch]	PN	Code	SP	kg	D [mm]	D1 [mm]	L [mm]	s [mm]
3/8	16	724 600 705	10	0.052	24	22	30	19
1/2	16	724 600 706	10	0.083	30	28	34	24
3/4	16	724 600 707	10	0.125	39	36	36	32
1	16	724 600 708	10	0.189	45	42	40	37
1 1/4	16	724 600 709	10	0.356	57	53	46	48
1 1/2	16	724 600 710	10	0.407	63	59	48	54
2	16	724 600 711	10	0.668	78	74	55	69

24 60 55



PF 2 30 153 999

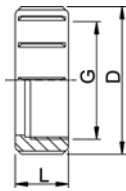
Union end stainless steel Welding end

Model:

- Material: Stainless Steel 1.4404 (316L)

d [mm]	d1 [mm]	PN	Code	SP	kg	D [mm]	D1 [mm]	L [mm]	e [mm]
16	17	16	724 605 505	10	0.029	24	22	18	1.6
20	21	16	724 605 506	10	0.046	30	28	22	2.0
25	26	16	724 605 507	10	0.080	39	36	23	2.0
32	33	16	724 605 508	10	0.112	45	42	26	2.0
40	42	16	724 605 509	10	0.188	57	53	26	2.0
50	48	16	724 605 510	10	0.222	63	59	28	2.0
63	60	16	724 605 511	10	0.361	78	74	32	2.6

35 69 04



SYGEF Standard union nut PN16

Model:

- Material: PVDF
- d75, d90 and d110 with buttress shaped thread

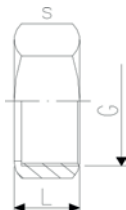
Note:

For the dimensions d75-110 please see instructions for the installation

Socket Fusion d [mm]	Butt Fusion d [mm]	PN	Code	kg	D [mm]	G [inch]	L [mm]
16	16	16	735 690 405	0.011	35	3/4	21
20	20	16	735 690 406	0.021	43	1	22
25	25	16	735 690 407	0.032	53	1 1/4	24
32	32	16	735 690 408	0.044	60	1 1/2	26
40	40	16	735 690 409	0.065	74	2	29
50	50	16	735 690 410	0.093	82	2 1/4	33
63	63	16	735 690 411	0.143	100	2 3/4	35
	75 - 90	16	735 690 422	0.289	133	S 107,5x3,6	40
	110	16	735 690 423	0.403	155	S 127,5x3,6	42

PF 2 35 191 999

24 69 01



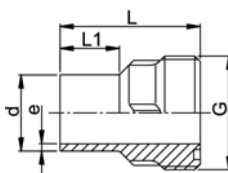
Union nut stainless steel 1.4404 (316L)

* Octagon union nut

d [mm]	PN	Code	SP	kg	L [mm]	G [inch]	s [mm]	closest inch
16	16	724 690 105	10	0.060	19	3/4	32	3/8
20	16	724 690 106	10	0.105	21	1	41	1/2
25	16	724 690 107	10	0.091	23	1 1/4	46	3/4
32	16	724 690 108	10	0.170	24	1 1/2	55	1
* 40	16	724 690 109	10	0.218	27	2	68	1 1/4
* 50	16	724 690 110	10	0.316	31	2 1/4	74	1 1/2
* 63	16	724 690 111	10	0.364	35	2 3/4	88	2

PF 2 30 153 999

35 64 86



SYGEF Standard union bush PN16

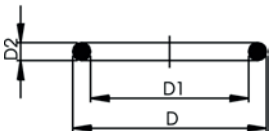
Model:

- Material: PVDF
- Suitable for SYGEF Standard Union Butt Fusion
- d75, d90 and d110 with buttress shaped thread

d [mm]	PN	FM	Code	kg	G [inch]	e [mm]	L [mm]	L1 [mm]
20	16	BCF, IR	735 648 606	0.025		1	53	25
25	16	BCF, IR	735 648 607	0.038		1 1/4	56	25
32	16	BCF, IR	735 648 608	0.055		1 1/2	59	25
40	16	BCF, IR	735 648 609	0.081		2	62	25
50	16	BCF, IR	735 648 610	0.111		2 1/4	65	25
63	16	BCF, IR	735 648 611	0.167		2 3/4	68	25
75	16	BCF, IR	735 648 612	0.260	S 107.5 x 3.6	3.6	66	24
90	16	BCF, IR	735 648 613	0.277	S 107.5 x 3.6	4.3	65	24
110	16	BCF, IR	735 648 614	0.343	S 127.5 x 3.6	5.3	65	25

PF 2 35 421 999

EPDM 48 41 00
FPM 49 41 00



O-Ring Gaskets

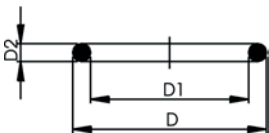
Model:

- For unions and adaptor unions
- Hardness approx. 65° Shore
- EPDM minimum temperature -40°C
- FPM minimum temperature -15°C

* for unions PVC-U, PVC-C and ABS: 21 51 01, 21 51 11, 21 53 03, 21 53 08, 21 55 04, 21 55 13, 21 55 18, 23 51 01 and 29 51 01 only

d [mm]	DN [mm]	EPDM Code	FPM Code	SP	kg	D [mm]	D1 [mm]	D2 [mm]	closest inch
20	15	748 410 006	749 410 006	-	0.001	27	20	3.53	½
25	20	748 410 007	749 410 007	100	0.002	35	28	3.53	¾
32	25	748 410 008	749 410 008	100	0.002	40	33	3.53	1
40	32	748 410 009	749 410 009	-	0.007	51	41	5.34	1 ¼
50	40	748 410 010	749 410 010	-	0.001	58	47	5.34	1 ½
63	50	748 410 011	749 410 011	100	0.010	70	60	5.34	2

PF 2 31 800 999



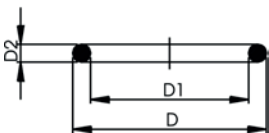
O-Ring Gaskets

Model:

- For unions and adaptor unions
- Hardness approx. 75° Shore
- FFPM minimum temperature -20°C

d [mm]	DN [mm]	FFPM Code	SP	kg	D [mm]	D1 [mm]	D2 [mm]
20	15	700 245 481	1	0.002	27	20	4
25	20	700 245 482	1	0.002	35	28	4
32	25	700 245 483	1	0.002	40	33	4
40	32	700 245 484	1	0.006	51	41	5
50	40	700 245 485	1	0.007	58	47	5
63	50	700 245 486	1	0.010	70	60	5

PF 2 30 162 008



O-ring black d75 - d110

Model:

- Hardness approx. 65° Shore
- FPM minimum temperature -15°C
- d75 749 410 013
- d90 749 410 014
- d110 749 410 015

Code	SP	kg	D [mm]	D1 [mm]	D2 [mm]
749 410 013	100	0.011	80	69	5.34
749 410 014	100	0.012	93	82	5.34
749 410 015	100	0.015	112	101	5.34

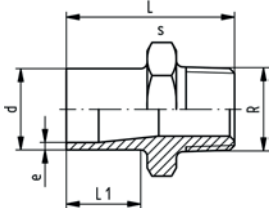
Transition fittings for butt fusion

35 91 05

SYGEF Standard adaptor nipple male thread R PN16

Model:

- Material: PVDF
- With butt fusion spigot and BSP tapered male thread
- Connection to plastic threads only
- Do not use thread sealing pastes that are harmful to PVDF
- Avoid stresses when installing and large changes in temperature



PF 2 35 421 021

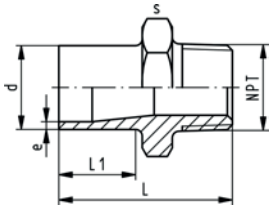
d [mm]	R [inch]	PN	FM	Code	kg	e [mm]	L [mm]	s [mm]	L1 [mm]
20	3/8	16	BCF, IR	735 910 555	0.023	1.9	50	32	26
20	1/2	16	BCF, IR	735 910 556	0.032	1.9	53	32	26
25	3/4	16	BCF, IR	735 910 557	0.032	1.9	55	36	26
32	1	16	BCF, IR	735 910 558	0.051	2.4	57	46	26
40	1 1/4	16	BCF, IR	735 910 559	0.075	2.4	60	55	26
50	1 1/2	16	BCF, IR	735 910 560	0.123	3.0	63	65	26
63	2	16	BCF, IR	735 910 561	0.175	3.0	69	75	27

35 91 45

SYGEF Standard adaptor nipple male thread NPT PN16

Model:

- Material: PVDF
- With butt fusion spigot and tapered male thread
- Connection to plastic threads only
- Do not use thread sealing pastes that are harmful to PVDF
- Avoid stresses when installing and large changes in temperature



PF 2 35 421 022

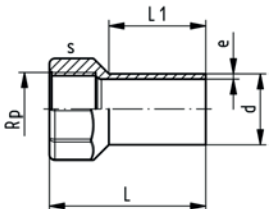
d [mm]	NPT [inch]	PN	FM	Code	kg	e [mm]	L [mm]	s [mm]	L1 [mm]
20	3/8	16	BCF, IR	735 914 555	0.023	1.9	50	32	26
20	1/2	16	BCF, IR	735 914 556	0.030	1.9	53	32	26
25	3/4	16	BCF, IR	735 914 557	0.032	1.9	55	36	26
32	1	16	BCF, IR	735 914 558	0.052	2.4	57	46	26
40	1 1/4	16	BCF, IR	735 914 559	0.075	2.4	60	55	26
50	1 1/2	16	BCF, IR	735 914 560	0.123	3.0	63	65	26
63	2	16	BCF, IR	735 914 561	0.176	3.0	69	75	27

35 91 07

SYGEF Standard adaptor socket female thread Rp PN10

Model:

- Material: PVDF
- Welding dimension: PN16
- With butt fusion spigot and parallel female thread Rp
- Connection to plastic threads only
- Do not use thread sealing pastes that are harmful to PVDF
- Avoid stresses when installing and large changes in temperature

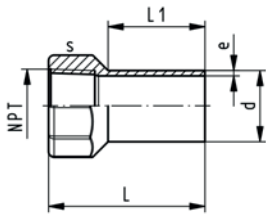


PF 2 35 421 011

d [mm]	Rp [inch]	PN	FM	Code	e [mm]	L [mm]	s [mm]	L1 [mm]
20	3/8	10	BCF, IR	735 910 285	1.9	58	30	37
20	1/2	10	BCF, IR	735 910 286	1.9	58	30	37
25	3/4	10	BCF, IR	735 910 287	1.9	63	36	40
32	1	10	BCF, IR	735 910 288	2.4	71	46	44
40	1 1/4	10	BCF, IR	735 910 289	2.4	79	55	49
50	1 1/2	10	BCF, IR	735 910 290	3.0	84	60	55
63	2	10	BCF, IR	735 910 291	3.0	97	75	63

35 91 07

SYGEF Standard adaptor socket female thread NPT PN10



Model:

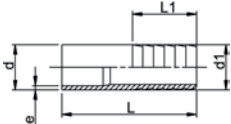
- Material: PVDF
- Welding dimension: PN16
- With butt fusion spigot and taper female thread NPT
- Connection to plastic threads only
- Do not use thread sealing pastes that are harmful to PVDF
- Avoid stresses when installing and large changes in temperature

d [mm]	NPT [inch]	PN	FM	Code	e [mm]	L [mm]	s [mm]	L1 [mm]
20	3/8	10	BCF, IR	735 914 285	1.9	58	30	37
20	1/2	10	BCF, IR	735 914 286	1.9	58	30	37
25	3/4	10	BCF, IR	735 914 287	1.9	63	36	40
32	1	10	BCF, IR	735 914 288	2.4	71	46	44
40	1 1/4	10	BCF, IR	735 914 289	2.4	79	55	49
50	1 1/2	10	BCF, IR	735 914 290	3.0	84	60	55
63	2	10	BCF, IR	735 914 291	3.0	97	75	63

PF 2 35 421 012

35 96 86

SYGEF Standard hose adapter PN16



Model:

- Material: PVDF
- With butt fusion spigot **SDR11** and parallel hose connection

d - d1 [mm]	PN	FM	Code	kg	e [mm]	L [mm]	L1 [mm]
20 - 20	16	BCF, IR	735 968 606	0.015	1.9	64	27
25 - 25	16	BCF, IR	735 968 607	0.024	1.9	75	36
32 - 32	16	BCF, IR	735 968 608	0.042	2.4	82	36
40 - 40	16	BCF, IR	735 968 609	0.063	2.4	84	42
50 - 50	16	BCF, IR	735 968 610	0.084	3.0	90	48
63 - 60	16	BCF, IR	735 968 611	0.118	3.0	100	50

PF 2 35 421 050

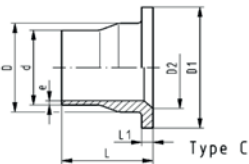
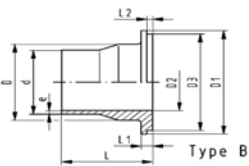
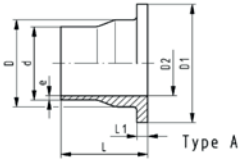
Flange Adaptors, Flanges and Gaskets for butt fusion

35 79 88

SYGEF Standard flange adaptor Jointing face serrated PN16

Model:

- Material: PVDF



d [mm]	DN [mm]	PN	FM	Code	kg
20	15	16	BCF, IR	735 798 806	0.029
25	20	16	BCF, IR	735 798 807	0.047
32	25	16	BCF, IR	735 798 808	0.080
40	32	16	BCF, IR	735 798 809	0.110
50	40	16	BCF, IR	735 798 810	0.146
63	50	16	BCF, IR	735 798 811	0.215
75	65	16	BCF, IR	735 798 812	0.318
90	80	16	BCF, IR	735 798 813	0.406
110	100	16	BCF, IR	735 798 814	0.573
140	125	16	IR	735 798 816	0.906
160	150	16	IR	735 798 817	1.200
200	200	16	IR	735 798 819	1.900
225	200	16	IR	735 798 820	2.000

d [mm]	D [mm]	D1 [mm]	D2 [mm]	D3 [mm]	e [mm]	L [mm]	L1 [mm]	L2 [mm]	Type
20	26	45	15		1.9	54	6		A
25	32	58	20	54	1.9	56	7	4	B
32	40	68	26	63	2.4	58	7	4	B
40	49	78	34	73	2.4	68	8	4	B
50	60	88	43	82	3.0	69	8	4	B
63	75	102	56		3.0	72	9		A
75	89	122	66		3.6	80	10		A
90	105	138	78	133	4.3	81	12	4	B
110	125	158	100		5.3	81	13		C
140	155	188	127		6.7	90	16		C
160	175	212	151		7.7	93	17		C
200	232	268	207		9.6	102	22		C
225	235	268	207		10.8	102	22		C

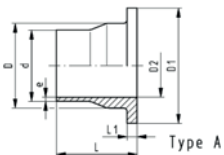
PF 2 35 190 010

35 79 88

SYGEF Standard flange adaptor ANSI Jointing face serrated PN16

Model:

- Material: PVDF
- Other dimensions identical with metric version



d [mm]	d [inch]	PN	FM	Code	kg	D [mm]	D1 [mm]	D2 [mm]	e [mm]	L [mm]	L1 [mm]	Type
25	¾	16	BCF, IR	735 798 857	0.043	32	54	20	1.9	56	7	A
32	1	16	BCF, IR	735 798 858	0.063	40	63	26	2.4	58	7	A
40	1 ¼	16	BCF, IR	735 798 859	0.105	49	73	34	2.4	68	8	A
50	1 ½	16	BCF, IR	735 798 860	0.140	60	82	43	3.0	69	8	A
90	3	16	BCF, IR	735 798 861	0.389	105	133	78	4.3	81	12	A

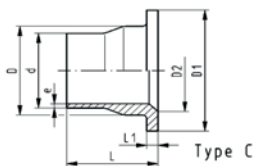
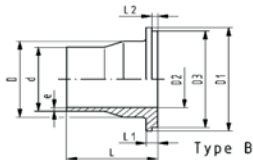
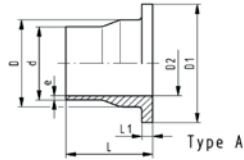
PF 2 35 190 010

35 79 88

SYGEF Standard flange adaptor Jointing face serrated PN10

Model:

- Material: PVDF



d [mm]	DN [mm]	PN	FM	Code	kg
90	80	10	BCF, IR	735 798 863	0.380
110	100	10	BCF, IR	735 798 864	0.493
125	100	10	IR	735 798 565	0.453
140	125	10	IR	735 798 866	0.733
160	150	10	IR	735 798 867	0.972
200	200	10	IR	735 798 869	1.682
225	200	10	IR	735 798 870	1.687

d [mm]	D [mm]	D1 [mm]	D2 [mm]	D3 [mm]	e [mm]	L [mm]	L1 [mm]	L2 [mm]	Type
90	105	138	78	133	2.8	81	12	4	B
110	125	158	100		3.4	81	13		A
125	132	158	114		3.9	82	14		A
140	155	188	127		4.3	90	16		A
160	175	212	151		4.9	93	17		C
200	232	268	207		6.2	102	22		C
225	235	268	207		6.9	102	22		A

PF 2 35 190 010

27 70 04

27 70 05

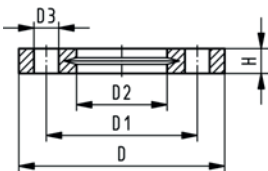
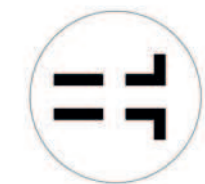
Backing Flanges, PP-V For butt fusion systems metric

Model:

- Modern full-plastic flange PP-GF (30 % glass-fibre reinforced)
- With V-groove which applies force evenly on collar
- With integrated bolt retainers as an assembly aid
- UV-resistant. Applicable for outside applications
- Connecting dimension: ISO 7005, EN 1092, BS 4504, DIN 2501
- **Bolt circle PN 10**

AL: number of holes

* Combined version, metric-ANSI



d [mm]	Inch	DN [mm]	PN	Code	SP	kg	D [mm]	D1 [mm]	D2 [mm]	D3 [mm]	H [mm]	AL	SC
20		15	16	727 700 406	56	0.093	95	65.0	28	14	16	4	M12
25		20	16	727 700 407	38	0.120	105	75.0	34	14	17	4	M12
32		25	16	727 700 408	80	0.151	115	85.0	42	14	18	4	M12
40		32	16	727 700 409	40	0.244	140	100.0	51	18	20	4	M16
50		40	16	727 700 410	30	0.297	150	110.0	62	18	22	4	M16
63		50	16	727 700 411	25	0.362	165	125.0	78	18	24	4	M16
75		65	16	727 700 412	19	0.487	185	145.0	92	18	26	4	M16
90		80	16	727 700 513	15	0.544	200	160.0	108	18	27	8	M16
110		100	16	727 700 514	13	0.643	220	180.0	128	18	28	8	M16
125		100	16	727 700 515	13	0.635	220	180.0	135	18	28	8	M16
140		125	16	727 700 516	10	0.842	250	210.0	158	18	30	8	M16
160	6	150	16	727 700 517	-	1.200	285	241.0	178	22	32	8	M20
180	6	150	16	727 700 518	-	1.200	285	240.0	188	22	32	8	M20
* 200	8	200	16	727 700 519	-	1.400	340	296.5	235	22	34	8	M20
* 225	9	200	16	727 700 520	-	1.400	340	296.5	238	22	34	8	M20
250		250	16	727 700 521	-	2.052	395	350.0	288	22	38	12	M20
280		250	16	727 700 522	-	1.700	395	350.0	294	22	38	12	M20
315		300	16	727 700 523	-	2.400	445	400.0	338	22	42	12	M20

PF 2 34 238 031

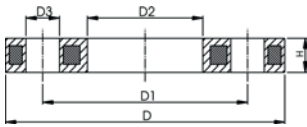
27 70 02
27 70 03

Backing flange PP-Steel For butt fusion systems metric

Model:

- Material: PP (30 % glass-fibre reinforced) with steel ring
- UV-resistant. Applicable for outside applications
- Connecting dimension: ISO 7005, EN 1092, BS 4504, DIN 2501
- **Bolt circle PN 10**

AL: number of holes



d [mm]	d [inch]	DN [mm]	PN	Code	kg	D [mm]	D1 [mm]	D2 [mm]	D3 [mm]	H [mm]	AL	SC
20		15	16	727 700 206	0.216	95	65	28	14	12	4	M12
25		20	16	727 700 207	0.279	105	75	34	14	12	4	M12
32		25	16	727 700 208	0.429	115	85	42	14	16	4	M12
40		32	16	727 700 209	0.621	140	100	51	18	16	4	M16
50		40	16	727 700 210	0.722	150	110	62	18	20	4	M16
63		50	16	727 700 211	1.084	165	125	78	18	20	4	M16
75		65	16	727 700 212	1.349	185	145	92	18	20	4	M16
90		80	16	727 700 313	1.390	200	160	108	18	20	8	M16
110		100	16	727 700 314	1.407	220	180	128	18	20	8	M16
125		100	16	727 700 315	1.408	220	180	135	18	20	8	M16
140		125	16	727 700 316	2.318	250	210	158	18	24	8	M16
160	6	150	16	727 700 317	3.491	285	240	178	22	24	8	M20
180		150	16	727 700 318	3.108	285	240	188	22	24	8	M20
200		200	16	727 700 319	5.600	340	295	235	22	27	8	M20
225		200	16	727 700 320	5.533	340	295	238	22	27	8	M20
250		250	16	727 700 321	6.632	395	350	288	22	30	12	M20
280		250	16	727 700 322	6.573	395	350	294	22	30	12	M20
315		300	16	727 700 323	7.903	445	400	338	22	34	12	M20
355		350	16	727 700 324	14.587	515	460	376	22	40	16	M20
400		400	16	727 700 325	20.034	574	515	430	26	40	16	M24

PF 2 34 238 022

27 70 14
27 70 15

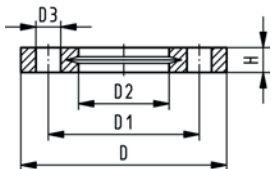
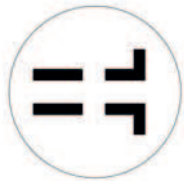
Backing Flanges, PP-V For butt fusion systems Inch ANSI

Model:

- Modern full-plastic flange PP-GF (30 % glass-fibre reinforced)
- With V-groove which applies force evenly on collar
- With integrated bolt-fixing as an assembly aid
- UV-resistant. Applicable for outside applications
- Connecting dimension: ANSI/ASME B 16.5 class 150, ASTM D 4024, BS 1560, BS EN 1759
- **Bolt circle class 150**

¹⁾ Suitable for socket- and butt fusion systems (no pictograph on flange)

AL: number of holes



Inch	DN [mm]	PN	Code	kg	D [mm]	D1 [mm]	D2 [mm]	D3 [mm]	H [mm]	AL	SC
1/2	15	16	727 701 406	0.091	95	60	28	16	16	4	M12
3/4	20	16	727 701 407	0.120	105	70	34	16	17	4	M12
1	25	16	727 701 408	0.147	115	79	42	16	18	4	M12
1 1/4	32	16	727 701 409	0.246	140	89	51	16	20	4	M16
1 1/2	40	16	727 701 410	0.299	150	98	62	16	22	4	M16
2	50	16	727 701 411	0.361	165	121	78	19	24	4	M16
2 1/2	65	16	727 701 412	0.492	185	140	92	19	26	4	M16
3	80	16	727 701 513	0.607	200	152	108	19	27	4	M16
4	100	16	727 701 514	0.736	229	190	128	19	28	8	M16
6	150	16	727 700 517	1.200	285		178	22	32	8	M20
* 8	200	16	727 700 519	1.400	340		235	22	34	8	M20
* 9	200	16	727 700 520	1.400	340		238	22	34	8	M20
10	250	16	727 701 521	2.241	406	362	288	26	38	12	M20
10	250	16	727 701 522	2.173	406	362	294	26	38	12	M20
12	300	16	727 701 523	3.627	483	432	338	26	42	12	M20

PF 2 34 238 033

27 70 12

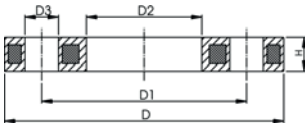


Backing flange PP-Steel For butt fusion systems Inch ANSI

Model:

- Material: PP (30 % glass-fibre reinforced) with steel ring
- UV-resistant. Applicable for outside applications
- Connecting dimension: ANSI/ASME B 16.5 class 150, ASTM D 4024, BS 1560, BS EN 1759
- **Bolt circle class 150**

AL: number of holes



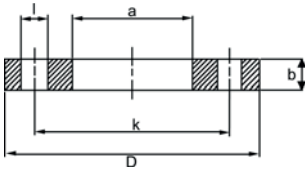
PF 2 34 238 023

d [inch]	DN [mm]	d [mm]	PN	Code	SP	kg	D1 [mm]	D2 [mm]	D3 [mm]	D [mm]	H [mm]	AL
1/2	15	20	16	727 701 206	72	0.213	60	28	16	95	12	4
3/4	20	25	16	727 701 207	45	0.260	70	34	16	105	12	4
1	25	32	16	727 701 208	34	0.416	79	42	16	115	16	4
1 1/4	32	40	16	727 701 209	20	0.730	89	51	16	140	16	4
1 1/2	40	50	16	727 701 210	17	0.809	98	62	16	150	18	4
2	50	63	16	727 701 211	15	0.866	121	78	19	165	18	4
2 1/2	65	75	16	727 701 212	11	1.117	140	92	19	185	18	4
3	80	90	16	727 701 313	9	1.499	152	108	19	200	20	4
4	100	110	16	727 701 314	13	1.739	190	128	19	229	20	8
8	200	200	16	727 701 319	-	5.440	298	235	22	340	27	8
8	200	225	16	727 701 320	-	5.621	298	238	22	340	27	8

Backing Flange PVDF-Steel ANSI Flange Ring blue coated steel

Material: PVDF blue coated steel

Bolt holes drilled in accordance with ANSI B16.5, Class 150 pattern



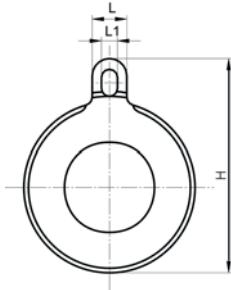
PF 2 34 238 007

d [mm]	Inch	Code	Weight [lb]	D [inch]	a [inch]	k [inch]	b [inch]	l [inch]	Bolt Holes
20	1/2	155 701 806	0.50	3.50	1.10	2.36	0.28	0.63	4
25	3/4	155 701 807	0.75	3.86	1.34	2.76	0.28	0.63	4
32	1	155 701 808	0.75	4.25	1.65	3.11	0.28	0.63	4
40	1 1/4	155 701 809	1.13	4.61	2.01	3.50	0.32	0.63	4
50	1 1/2	155 701 810	1.31	5.00	2.44	3.86	0.32	0.63	4
63	2	155 701 811	2.13	5.98	3.07	4.76	0.39	0.75	4
75	2 1/2	155 701 812	2.94	7.01	3.62	5.51	0.39	0.75	4
90	3	155 701 813	3.19	7.48	4.33	5.98	0.39	0.75	4
110	4	155 703 814	4.56	9.02	5.24	7.48	0.39	0.75	8
160	6	155 701 917	7.34	10.98	7.05	9.48	0.50	0.88	8
200	8	155 701 919	13.12	13.50	9.30	11.73	0.63	0.88	8
225	9	155 701 920	12.64	13.50	9.42	11.73	0.63	0.88	8
250	10	155 701 921	16.76	16.00	11.35	14.25	0.88	0.88	12
315	12	155 701 923	23.00	19.00	13.31	17.00	1.00	1.00	12

SYGEF Plus Gasket

Model:

- For Use with Steel Flange Rings
- * Non-Returnable/Non-Cancelable



d [mm]	Pipe Size [inch]	Code	SP	kg	H [inch]	L [inch]	L1 [inch]
25	3/4	731 400 753	1	0.035	2.99	0.79	0.51
32	1	731 400 755	1	0.040	3.58	0.98	0.63
40	1 1/4	731 400 757	1	0.030	3.98	0.98	0.63
50	1 1/2	731 400 759	1	0.055	4.33	0.98	0.63
63	2	731 400 760	1	0.080	5.04	0.98	0.63
75	2 1/2	731 400 761	1	0.100	5.83	0.98	0.63
90	3	731 400 763	1	0.110	6.34	0.98	0.63
110	4	731 400 764	1	0.165	7.44	0.98	0.63
160	6	731 400 667	1	0.200	9.61	1.18	0.79
200/225	8/9	731 400 670	1	0.305	11.81	1.18	0.79
250	10	731 400 671	-	0.000	14.17	1.38	0.87
315	12	731 400 672	-	-	16.50	1.38	0.87

PF 2 37 344 001

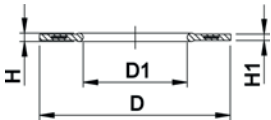
EPDM 48 44 07
FPM 49 44 07

Profile flange gasket metric

Model:

- For all metric GF Flange Adaptors
- Profile Gasket with steel insert (type G-ST-P/K)
- Hardness: 70° Shore **EPDM**, 75° Shore **FPM**
- **EPDM**: approved acc. to DVGW W 270, KTW recommendation
- Centering on the inner diameter of the screw crown
- material steel insert: carbon steel

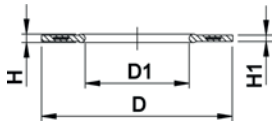
di FA are the suitable inner diameters of flange adaptors



d [mm]	DN [mm]	PN	EPDM Code	FPM Code	kg
16	10	16	748 440 705	749 440 705	0.012
20	15	16	748 440 706	749 440 706	0.013
25	20	16	748 440 707	749 440 707	0.014
32	25	16	748 440 708	749 440 708	0.019
40	32	16	748 440 709	749 440 709	0.026
50	40	16	748 440 710	749 440 710	0.039
63	50	16	748 440 711	749 440 711	0.050
75	65	16	748 440 712	749 440 712	0.082
90	80	16	748 440 713	749 440 713	0.083
110	100	16	748 440 714	749 440 714	0.127
125	100	16	748 440 715	749 440 715	0.105
140	125	16	748 440 716	749 440 716	0.173
160 / 180	150	16	748 440 717	749 440 717	0.207
200	200	16	748 440 719	749 440 719	0.263
225	200	16	748 440 720	749 440 720	0.255
250	250	16	748 440 721	749 440 721	0.482
280	250	16	748 440 722	749 440 722	0.323
315	300	16	748 440 723	749 440 723	0.549

d [mm]	DN [mm]	D [mm]	D1 [mm]	H [mm]	H1 [mm]	di FA [mm]	Closest inch
16	10	46	16	4	3	6 - 16	
20	15	51	20	4	3	10 - 20	
25	20	61	22	4	3	12 - 22	
32	25	71	28	4	3	18 - 28	
40	32	82	40	4	3	30 - 40	
50	40	92	46	4	3	36 - 46	
63	50	107	58	5	4	48 - 58	
75	65	127	69	5	4	59 - 69	
90	80	142	84	5	4	73 - 84	
110	100	162	104	6	5	94 - 104	

table continued next page



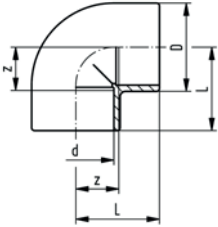
d [mm]	DN [mm]	D [mm]	D1 [mm]	H [mm]	H1 [mm]	di FA [mm]	Closest inch
125	100	162	123	6	5	113 - 123	
140	125	192	137	6	5	127 - 137	
160 / 180	150	218	160	8	6	150 - 160	6
200	200	273	203	8	6	192 - 203	
225	200	273	220	8	6	207 - 220	8 - 9
250	250	328	252	8	6	238 - 252	
280	250	328	274	8	6	264 - 274	
315	300	378	306	8	6	296 - 306	

PF 2 30 162 037

Fittings for socket fusion

SYGEF Standard elbow 90° PN16

35 10 01



Model:

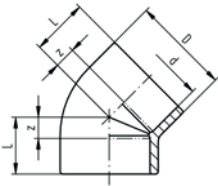
- Material: PVDF

d [mm]	PN	Code	kg	D [mm]	L [mm]	z [mm]
16	16	735 100 105	0.029	26	25	12
20	16	735 100 106	0.026	27	28	14
25	16	735 100 107	0.039	32	32	16
32	16	735 100 108	0.066	40	38	20
40	16	735 100 109	0.105	49	44	24
50	16	735 100 110	0.164	60	51	28
63	16	735 100 111	0.287	75	62	35

PF 2 35 189 001

35 15 01

SYGEF Standard elbow 45° PN16



Model:

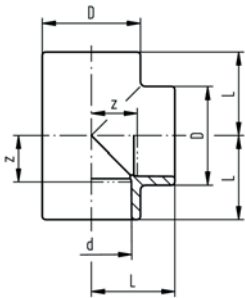
- Material: PVDF

d [mm]	PN	Code	kg	D [mm]	L [mm]	z [mm]
16	16	735 150 105	0.017	23	20	7
20	16	735 150 106	0.020	27	21	7
25	16	735 150 107	0.032	32	24	8
32	16	735 150 108	0.050	40	28	10
40	16	735 150 109	0.081	49	33	13
50	16	735 150 110	0.119	60	36	13
63	16	735 150 111	0.211	75	43	16

PF 2 35 189 002

35 20 01

SYGEF Standard T 90° equal PN16



Model:

- Material: PVDF

d [mm]	PN	Code	kg	D [mm]	L [mm]	z [mm]
16	16	735 200 105	0.039	26	25	12
20	16	735 200 106	0.034	27	28	14
25	16	735 200 107	0.052	32	32	16
32	16	735 200 108	0.090	40	38	20
40	16	735 200 109	0.136	49	44	24
50	16	735 200 110	0.210	60	51	28
63	16	735 200 111	0.373	75	62	35

PF 2 35 189 003

35 91 03

SYGEF Standard reducing bush PN16

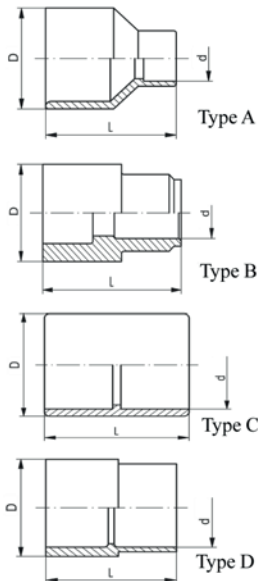


Model:

- Material: PVDF

Attention:

- to determine the z-measure please consider the overview of functionality



PN	D-d [mm]	Code	kg	L [mm]	Type
16	20 - 16	735 910 334	0.017	35	B
16	25 - 20	735 910 337	0.016	37	A
16	32 - 20	735 910 342	0.023	43	A
16	32 - 25	735 910 107	0.023	39	C
16	40 - 20	735 910 348	0.034	48	A
16	40 - 25	735 910 347	0.035	48	A
16	40 - 32	735 910 108	0.038	43	C
16	50 - 20	735 910 355	0.059	54	A
16	50 - 25	735 910 354	0.059	54	A
16	50 - 32	735 910 353	0.061	54	A
16	50 - 40	735 910 109	0.062	48	C
16	63 - 20	735 910 362	0.102	64	A
16	63 - 25	735 910 361	0.105	64	A
16	63 - 32	735 910 360	0.108	64	A
16	63 - 40	735 910 359	0.118	64	A
16	63 - 50	735 910 110	0.102	54	D

overview about functionality

main function							additional functions											
reduction spigot - socket							reduction socket - socket				reduction spigot - spigot				reduction socket - spigot			
Code	PN	L	spigot D	- socket d	L	Z	socket D	- socket d	L	Z	spigot D	- spigot d	L	Z	socket D	- spigot d	L	Z
735 910 334	16	35	20	- 16	35	22												
735 910 337	16	37	25	- 20	37	23												
735 910 342	16	43	32	- 20	43	29	25	- 20	43	13								
735 910 107	16	39	32	- 25	39	23												
735 910 348	16	48	40	- 20	48	34	32	- 20	48	16								
735 910 347	16	48	40	- 25	48	32	32	- 25	48	14	40	- 32	48	48				
735 910 108	16	43	40	- 32	43	25												
735 910 355	16	54	50	- 20	54	40	40	- 20	54	20								
735 910 354	16	54	50	- 25	54	38	40	- 25	54	18	50	- 32	54	54	40	- 32	54	34
735 910 353	16	54	50	- 32	54	36	40	- 32	54	16	50	- 40	54	54				
735 910 109	16	48	50	- 40	48	28												
735 910 362	16	64	63	- 20	64	50	50	- 20	64	27								
735 910 361	16	64	63	- 25	64	48	50	- 25	64	25	63	- 32	64	64	50	- 32	64	41
735 910 360	16	64	63	- 32	64	46	50	- 32	64	23	63	- 40	64	64	50	- 40	64	41
735 910 359	16	64	63	- 40	64	44	50	- 40	64	21	63	- 50	64	64				
735 910 110	16	54	63	- 50	54	31												

PF 2 35 189 005

please note: illustration of the functions not inevitably conform to respective type!

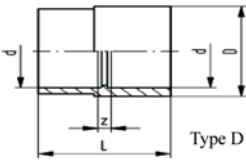
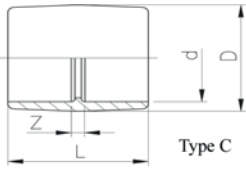
35 91 01

SYGEF Standard socket equal PN16



Model:

- Material: PVDF
- d25 - d50: combination type reducing bush / socket equal



d [mm]	PN	D-d [mm]	Code	kg	D [mm]	L [mm]	z [mm]	Type
16	16	-	735 910 105	0.020	26	33	7	C
20	16	-	735 910 106	0.013	27	35	7	C
25	16	32 - 25	735 910 107	0.023	32	39	7	C
32	16	40 - 32	735 910 108	0.038	40	43	7	C
40	16	50 - 40	735 910 109	0.062	50	48	8	C
50	16	63 - 50	735 910 110	0.102	63	54	8	D
63	16	-	735 910 111	0.147	75	62	8	D

PF 2 35 189 004

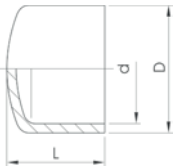
35 96 01

SYGEF Standard cap PN16



Model:

- Material: PVDF



d [mm]	PN	Code	kg	D [mm]	L [mm]
16	16	735 960 105	0.013	25	24
20	16	735 960 106	0.010	27	23
25	16	735 960 107	0.017	32	26
32	16	735 960 108	0.029	40	30
40	16	735 960 109	0.045	49	34
50	16	735 960 110	0.073	60	39
63	16	735 960 111	0.126	75	46

PF 2 35 189 006

Unions for socket fusion

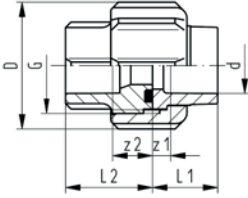
35 51 01

SYGEF Standard union (FPM black) PN16



Model:

- Material: PVDF
- With fusion socket metric
- Jointing face: With O-ring groove
- **Supplied with:** O-Ring No. 49 41 00 FPM (e.g. Viton A®)
- Please see installation instruction



PF 2 35 191 002

d [mm]	PN	Code	kg	D [mm]	G [inch]	L1 [mm]	L2 [mm]	z1 [mm]	z [mm]
16	16	735 510 105	0.025	35	3/4	18	24	5	11
20	16	735 510 106	0.057	43	1	19	26	5	12
25	16	735 510 107	0.090	53	1 1/4	21	28	5	12
32	16	735 510 108	0.118	60	1 1/2	23	30	5	12
40	16	735 510 109	0.195	74	2	25	34	5	14
50	16	735 510 110	0.244	82	2 1/4	28	39	5	16
63	16	735 510 111	0.403	100	2 3/4	32	47	5	20

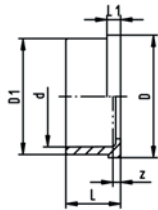
35 60 01

SYGEF Standard union end PN16



Model:

- Material: PVDF
- Suitable for SYGEF Standard Union Socket Fusion
- Suitable for Diaphragm Valves Type 314 and 514
- Suitable for Vortex Sensor



PF 2 35 191 999

d [mm]	PN	Code	kg	D [mm]	D1 [mm]	L [mm]	L1 [mm]	z [mm]
16	16	735 600 105	0.006	24	22	18	4	5
20	16	735 600 106	0.006	30	28	19	5	5
25	16	735 600 107	0.022	39	36	21	5	5
32	16	735 600 108	0.022	45	42	23	6	5
40	16	735 600 109	0.055	57	53	25	6	5
50	16	735 600 110	0.054	63	59	28	7	5
63	16	735 600 111	0.079	78	74	32	7	5

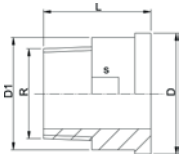
24 60 07

Union end stainless steel R



Model:

- Material: Stainless Steel 1.4404 (316L)
- Taper male thread R



PF 2 30 153 999

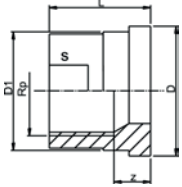
R [inch]	PN	Code	SP	kg	D [mm]	D1 [mm]	L [mm]	s [mm]
3/8	16	724 600 705	10	0.052	24	22	30	19
1/2	16	724 600 706	10	0.083	30	28	34	24
3/4	16	724 600 707	10	0.125	39	36	36	32
1	16	724 600 708	10	0.189	45	42	40	37
1 1/4	16	724 600 709	10	0.356	57	53	46	48
1 1/2	16	724 600 710	10	0.407	63	59	48	54
2	16	724 600 711	10	0.668	78	74	55	69

24 60 06

Union end stainless steel Rp

Model:

- Material: Stainless Steel 1.4404 (316L)
- Parallel female thread Rp



PF 2 30 153 999

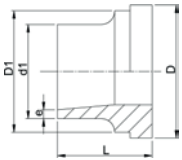
Rp [inch]	PN	Code	SP	kg	z [mm]	D [mm]	D1 [mm]	L [mm]	s [mm]
3/8	16	724 600 655	10	0.030	9	24	22	19	19
1/2	16	724 600 656	10	0.060	11	30	28	24	24
3/4	16	724 600 657	10	0.092	11	39	36	26	29
1	16	724 600 658	10	0.137	12	45	42	29	36
1 1/4	16	724 600 659	10	0.226	14	57	53	33	45
1 1/2	16	724 600 660	10	0.314	15	63	59	34	54
2	16	724 600 661	10	0.450	15	78	74	39	63

24 60 55

Union end stainless steel Welding end

Model:

- Material: Stainless Steel 1.4404 (316L)



PF 2 30 153 999

d [mm]	d1 [mm]	PN	Code	SP	kg	D [mm]	D1 [mm]	L [mm]	e [mm]
16	17	16	724 605 505	10	0.029	24	22	18	1.6
20	21	16	724 605 506	10	0.046	30	28	22	2.0
25	26	16	724 605 507	10	0.080	39	36	23	2.0
32	33	16	724 605 508	10	0.112	45	42	26	2.0
40	42	16	724 605 509	10	0.188	57	53	26	2.0
50	48	16	724 605 510	10	0.222	63	59	28	2.0
63	60	16	724 605 511	10	0.361	78	74	32	2.6

35 69 04

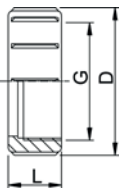
SYGEF Standard union nut PN16

Model:

- Material: PVDF
- d75, d90 and d110 with buttress shaped thread

Note:

For the dimensions d75-110 please see instructions for the installation



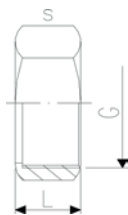
PF 2 35 191 999

Socket Fu- sion d [mm]	Butt Fusion d [mm]	PN	Code	kg	D [mm]	G [inch]	L [mm]
16		16	735 690 405	0.011	35	3/4	21
20		20	735 690 406	0.021	43	1	22
25		25	735 690 407	0.032	53	1 1/4	24
32		32	735 690 408	0.044	60	1 1/2	26
40		40	735 690 409	0.065	74	2	29
50		50	735 690 410	0.093	82	2 1/4	33
63		63	735 690 411	0.143	100	2 3/4	35

24 69 01

Union nut stainless steel 1.4404 (316L)

* Octagon union nut



PF 2 30 153 999

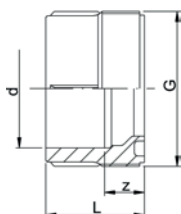
d [mm]	PN	Code	SP	kg	L [mm]	G [inch]	s [mm]	closest inch
16	16	724 690 105	10	0.060	19	¾	32	¾
20	16	724 690 106	10	0.105	21	1	41	½
25	16	724 690 107	10	0.091	23	1 ¼	46	¾
32	16	724 690 108	10	0.170	24	1 ½	55	1
* 40	16	724 690 109	10	0.218	27	2	68	1 ¼
* 50	16	724 690 110	10	0.316	31	2 ¼	74	1 ½
* 63	16	724 690 111	10	0.364	35	2 ¾	88	2

35 64 01

SYGEF Standard union bush PN16

Model:

- Material: PVDF
- Suitable for SYGEF Standard Union Socket Fusion



PF 2 35 191 999

d [mm]	PN	Code	kg	G [inch]	L [mm]	z [mm]
16	16	735 640 105	0.011	3/4	24	11
20	16	735 640 106	0.019	1	26	12
25	16	735 640 107	0.031	1 1/4	28	12
32	16	735 640 108	0.042	1 1/2	30	12
40	16	735 640 109	0.068	2	34	14
50	16	735 640 110	0.090	2 1/4	39	16
63	16	735 640 111	0.161	2 3/4	47	20

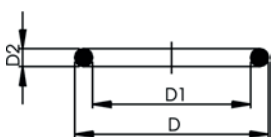
EPDM 48 41 00
FPM 49 41 00

O-Ring gasket

Model:

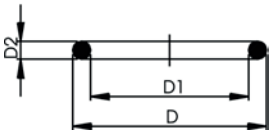
- For unions and adaptor unions
- Hardness approx. 65° Shore
- EPDM minimum temperature -40°C
- FPM minimum temperature -15°C

* for unions PVC-U, PVC-C and ABS: 21 51 01, 21 51 11, 21 53 03, 21 53 08, 21 55 04, 21 55 13, 21 55 18, 23 51 01 and 29 51 01 only



PF 2 31 800 999

d [mm]	DN [mm]	EPDM Code	FPM Code	SP	kg	D [mm]	D1 [mm]	D2 [mm]	closest inch
16	10	748 410 005	749 410 005	-	0.001	21	16	2.62	¾
20	15	748 410 006	749 410 006	-	0.001	27	20	3.53	½
25	20	748 410 007	749 410 007	100	0.002	35	28	3.53	¾
32	25	748 410 008	749 410 008	100	0.002	40	33	3.53	1
40	32	748 410 009	749 410 009	-	0.007	51	41	5.34	1 ¼
50	40	748 410 010	749 410 010	-	0.001	58	47	5.34	1 ½
63	50	748 410 011	749 410 011	100	0.010	70	60	5.34	2



O-Ring Gaskets

Model:

- For unions and adaptor unions
- Hardness approx. 75° Shore
- FFPM minimum temperature -20°C

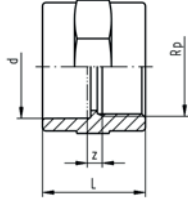
d [mm]	DN [mm]	FFPM Code	SP	kg	D [mm]	D1 [mm]	D2 [mm]	
20	15	700 245 481	1	0.002	27	20	4	
25	20	700 245 482	1	0.002	35	28	4	
32	25	700 245 483	1	0.002	40	33	4	
40	32	700 245 484	1	0.006	51	41	5	
50	40	700 245 485	1	0.007	58	47	5	
63	50	700 245 486	1	0.010	70	60	5	

PF 2 30 162 008

Transition fittings for socket fusion

SYGEF Standard adaptor socket female thread Rp PN16

35 91 02



Model:

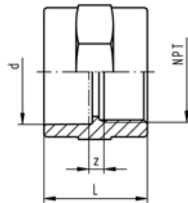
- Material: PVDF
- With socket fusion end and parallel female thread
- Connection to plastic threads only
- Do not use thread sealing pastes that are harmful to PVDF
- Avoid stresses when installing and large changes in temperature

d [mm]	Rp [inch]	PN	Code	kg	L [mm]	s [mm]	z [mm]
20	¾	16	735 910 206	0.031	34	32	5
25	¾	16	735 910 207	0.036	38	36	6
32	1	16	735 910 208	0.067	43	46	7
40	1 ¼	16	735 910 209	0.100	47	55	7
50	1 ½	16	735 910 210	0.135	54	65	9
63	2	16	735 910 211	0.217	62	80	9

PF 2 35 191 001

35 91 42

SYGEF Standard adaptor socket female thread metric NPT PN16



Model:

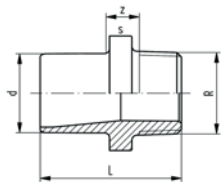
- Material: PVDF
- With socket fusion end and taper female thread
- Connection to plastic threads only
- Do not use thread sealing pastes that are harmful to PVDF
- Avoid stresses when installing and large changes in temperature

d [mm]	NPT [inch]	PN	Code	kg	L [mm]	s [mm]	z [mm]
16	¾	16	735 914 205	0.016	29	27	3
20	½	16	735 914 206	0.030	34	32	5
25	¾	16	735 914 207	0.036	38	36	6
32	1	16	735 914 208	0.067	43	46	7
40	1 ¼	16	735 914 209	0.100	47	55	7
50	1 ½	16	735 914 210	0.140	54	65	9
63	2	16	735 914 211	0.220	62	80	9

PF 2 35 191 006

35 91 05

SYGEF Standard adaptor nipple male thread metric R PN16



Model:

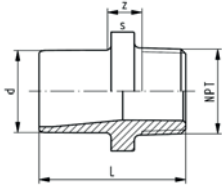
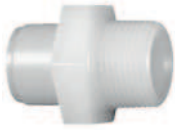
- Material: PVDF
- With socket fusion spigot metric and BSP tapered male thread
- Connection to plastic threads only
- Do not use thread sealing pastes that are harmful to PVDF
- Avoid stresses when installing and large changes in temperature

d [mm]	R [inch]	PN	Code	kg	L [mm]	s [mm]	z [mm]
16	¾	16	735 910 505	0.015	37	27	12
20	½	16	735 910 506	0.025	53	32	25
25	¾	16	735 910 507	0.033	55	36	24
32	1	16	735 910 508	0.056	57	46	22
40	1 ¼	16	735 910 509	0.082	60	55	21
50	1 ½	16	735 910 510	0.113	63	65	19
63	2	16	735 910 511	0.166	69	75	18

PF 2 35 191 008

35 91 45

SYGEF Standard adaptor nipple male thread NPT PN 16

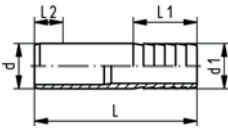


Model:

- Material: PVDF
- With socket fusion spigot and taper male thread
- Connection to plastic threads only
- Do not use thread sealing pastes that are harmful to PVDF
- Avoid stresses when installing and large changes in temperature

d [mm]	NPT [inch]	PN	Code	kg	L [mm]	s [mm]	z [mm]
16	3/8	16	735 914 505	0.014	37	27	12
20	1/2	16	735 914 506	0.024	53	32	25
25	3/4	16	735 914 507	0.032	55	36	24
32	1	16	735 914 508	0.052	57	46	22
40	1 1/4	16	735 914 509	0.075	60	55	21
50	1 1/2	16	735 914 510	0.120	63	65	19
63	2	16	735 914 511	0.163	69	75	18

PF 2 35 191 007



SYGEF Standard hose adapter PN16

Model:

- Material: PVDF
- With socket fusion spigot metric and parallel hose connection

d - d1 [mm]	PN	Code	kg	L [mm]	L1 [mm]	L2 [mm]
16 - 16	16	735 960 405	0.001	50	27	13
20 - 20	16	735 960 406	0.018	78	27	14
25 - 25	16	735 960 407	0.028	91	36	16
32 - 32	16	735 960 408	0.050	100	36	18
40 - 40	16	735 960 409	0.078	104	42	20
50 - 50	16	735 960 410	0.089	90	48	23
63 - 60	16	735 960 411	0.126	100	50	27

PF 2 35 191 009

Flange Adaptors, Flanges and Gaskets for socket fusion

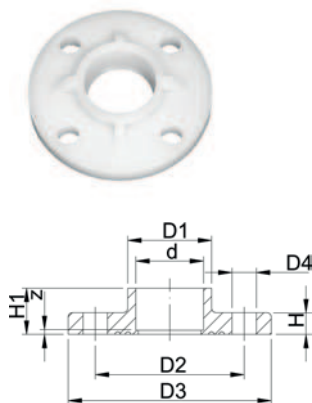
Fixed Flanges, socket fusion

Combined jointing face: flat and serrated

Model:

- Connecting dimension: ISO 7005 PN10, EN 1092 PN10, DIN 2501 PN10

AL: number of holes



PF 2 35 446 001

d [mm]	DN [mm]	Inch	PN	Code	SP	kg	D1 [mm]	D2 [mm]	D3 [mm]	D4 [mm]	H [mm]	H1 [mm]	AL	z [mm]
20	15	1/2	16	735 740 106	-	0.121	27	65	93	14	12	19	4	5
25	20	3/4	16	735 740 107	-	0.162	33	75	103	14	13	21	4	4
32	25	1	16	735 740 108	-	0.229	40	85	115	14	14	23	4	4
40	32	1 1/4	16	735 740 109	-	0.340	50	100	137	18	15	25	4	4
50	40	1 1/2	16	735 740 110	-	0.409	61	110	147	18	16	27	4	4
63	50	2	16	735 740 111	-	0.551	76	125	162	18	18	31	4	4

SYGEF Standard flange adaptor Metric jointing face serrated PN16

Model:

- Material: PVDF
- Suitable for Flange Adaptor with groove
- Gasket: Profile Flange Gaskets **FPM** or **EPDM**



PF 2 35 191 003

d [mm]	DN [mm]	PN	Code	kg	D [mm]	D1 [mm]	L [mm]	L1 [mm]	z [mm]
20	15	16	735 790 206	0.019	27	45	19	6	3
25	20	16	735 790 207	0.037	33	58	21	7	3
32	25	16	735 790 208	0.047	41	68	23	7	3
40	32	16	735 790 209	0.073	50	78	25	8	3
50	40	16	735 790 210	0.096	61	88	28	8	3
63	50	16	735 790 211	0.142	76	102	32	9	3

SYGEF Standard flange adaptor ANSI Jointing face serrated PN16

Model:

- Material: PVDF
- Suitable for Flange Adaptor with groove
- Face dimension ANSI
- Gasket: Flat Gasket **FPM** or **EPDM**
- Gasket: Profile Flange Gaskets **FPM** or **EPDM**
- Dimensions d20 and d63 are identical to metric version



PF 2 35 191 003

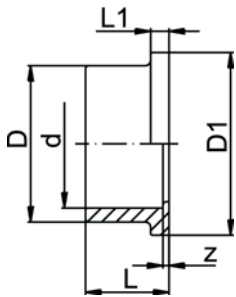
d [mm]	d [inch]	PN	Code	kg	D [mm]	D1 [mm]	L [mm]	L1 [mm]	z [mm]
25	¾	16	735 790 257	0.037	33	54	21	7	3
32	1	16	735 790 258	0.051	41	63	23	7	3
40	1 ¼	16	735 790 259	0.073	50	73	25	8	3
50	1 ½	16	735 790 260	0.095	61	82	28	8	3



SYGEF Standard flange adaptor JIS Jointing face flat PN16

Model:

- Material: PVDF



PF 2 35 191 004

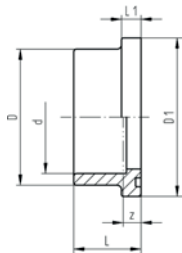
d [mm]	Code	kg	D [mm]	D1 [mm]	L [mm]	z [mm]
20	735 800 106	0.013	27	34	19	3
25	735 800 107	0.020	33	41	21	3
32	735 800 108	0.030	41	50	23	3
40	735 800 109	0.047	50	60	25	3
50	735 800 110	0.070	61	72	28	3
63	735 800 111	0.115	75	89	32	3

35 81 01

SYGEF Standard flange adaptor with groove PN16

Model:

- Material: PVDF
- Jointing face: With O-ring groove
- Counterpart: Flange Adaptor metric or ANSI
- Gasket: O-ring EPDM No. 48 41 01, FPM No. 49 41 01



PF 2 35 191 005

d [mm]	DN [mm]	PN	Code	kg	D [mm]	D1 [mm]	L [mm]	L1 [mm]	z [mm]
20	15	16	735 810 106	0.015	27	34	22	9	8
25	20	16	735 810 107	0.022	33	41	24	10	8
32	25	16	735 810 108	0.035	41	50	26	10	8
40	32	16	735 810 109	0.055	50	61	30	13	10
50	40	16	735 810 110	0.080	61	73	33	13	10
63	50	16	735 810 111	0.134	76	90	37	14	10

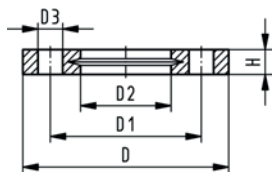
27 70 04
27 70 05

Backing Flanges, PP-V For socket systems metric

Model:

- Modern full-plastic flange PP-GF (30 % glass-fibre reinforced)
- With V-groove which applies force evenly on collar
- With integrated bolt retainers as an assembly aid
- UV-resistant. Applicable for outside applications
- Connecting dimension: ISO 7005, EN 1092, BS 4504, DIN 2501
- **Bolt circle PN 10**

AL: number of holes



PF 2 34 238 030

d [mm]	Inch	DN [mm]	PN	Code	SP	kg	D [mm]	D1 [mm]	D2 [mm]	D3 [mm]	H [mm]	AL	SC
20		15	16	727 700 406	56	0.093	95	65.0	28	14	16	4	M12
25		20	16	727 700 407	38	0.120	105	75.0	34	14	17	4	M12
32		25	16	727 700 408	80	0.151	115	85.0	42	14	18	4	M12
40		32	16	727 700 409	40	0.244	140	100.0	51	18	20	4	M16
50		40	16	727 700 410	30	0.297	150	110.0	62	18	22	4	M16
63		50	16	727 700 411	25	0.362	165	125.0	78	18	24	4	M16

27 70 02

Backing Flanges, PP/Steel For socket systems metric

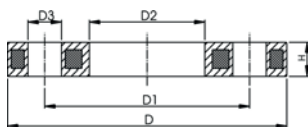
Model:

- PP-GF (30% glass-fibre reinforced) with steel ring
- UV-resistant. Applicable for outside applications
- Connecting dimension: ISO 7005, EN 1092, BS 4504, DIN 2501
- **Bolt circle PN 10**

¹ Connecting dimension: ISO 2536, bolt circle acc. DN125, suitable for flange adaptor d125/DN100

² Connecting dimension: ISO 2536, bolt circle acc. DN225, suitable for flange adaptor d250/DN250

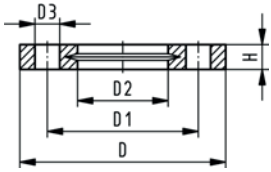
AL: number of holes



PF 2 34 238 020

d [mm]	d [inch]	DN [mm]	PN	Code	kg	D [mm]	D1 [mm]	D2 [mm]	D3 [mm]	H [mm]	AL	SC
20		15	16	727 700 206	0.216	95	65	28	14	12	4	M12
25		20	16	727 700 207	0.279	105	75	34	14	12	4	M12
32		25	16	727 700 208	0.429	115	85	42	14	16	4	M12
40		32	16	727 700 209	0.621	140	100	51	18	16	4	M16
50		40	16	727 700 210	0.722	150	110	62	18	20	4	M16
63		50	16	727 700 211	1.084	165	125	78	18	20	4	M16

27 70 14
27 70 15



PF 2 34 238 032

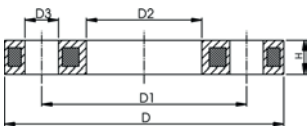
Backing Flanges, PP-V For socket systems Inch ANSI

Model:

- Modern full-plastic flange PP-GF (30 % glass-fibre reinforced)
 - With V-groove which applies force evenly on collar
 - With integrated bolt-fixing as an assembly aid
 - UV-resistant. Applicable for outside applications
 - Connecting dimension: ANSI/ASME B 16.5 class 150, ASTM D 4024, BS 1560, BS EN 1759
 - **Bolt circle class 150**
 - DN100 and DN150: only for use with original metric flange adaptors
- ¹⁾ Suitable for socket- and butt fusion systems (no pictograph on flange)
AL: number of holes

Inch	DN [mm]	PN	Code	kg	D [mm]	D1 [mm]	D2 [mm]	D3 [mm]	H [mm]	AL	SC
1/2	15	16	727 701 406	0.091	95	60	28	16	16	4	M12
3/4	20	16	727 701 407	0.120	105	70	34	16	17	4	M12
1	25	16	727 701 408	0.147	115	79	42	16	18	4	M12
1 1/4	32	16	727 701 409	0.246	140	89	51	16	20	4	M16
1 1/2	40	16	727 701 410	0.299	150	98	62	16	22	4	M16
2	50	16	727 701 411	0.361	165	121	78	19	24	4	M16

27 70 12



PF 2 34 238 021

Backing Flanges, PP/Steel For socket systems Inch/ANSI

Model:

- For Flange Adaptors BS/ANSI
 - Material: PP (30 % glass-fibre reinforced) with steel ring
 - UV-resistant. Applicable for outside applications
 - Connecting dimension: ANSI/ASME B 16.5 class 150, ASTM D 4024, BS 1560, BS EN 1759
 - **Bolt circle class 150**
 - DN100 and DN150: only for use with original metric flange adaptors
- AL: number of holes

d [inch]	DN [mm]	d [mm]	PN	Code	kg	D1 [mm]	D2 [mm]	D3 [mm]	D [mm]	H [mm]	AL
1/2	15	20	16	727 701 206	0.213	60	28	16	95	12	4
3/4	20	25	16	727 701 207	0.260	70	34	16	105	12	4
1	25	32	16	727 701 208	0.416	79	42	16	115	16	4
1 1/4	32	40	16	727 701 209	0.730	89	51	16	140	16	4
1 1/2	40	50	16	727 701 210	0.809	98	62	16	150	18	4
2	50	63	16	727 701 211	0.866	121	78	19	165	18	4

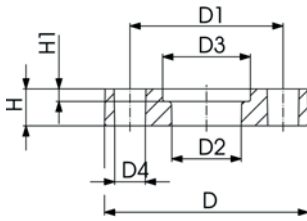


Backing flange PP-GF JIS

Model:

- PP-GF (30% glass-fibre reinforced)
- Connecting dimensions: JIS B 2220, 10K
- Only use with flange adaptor JIS 27 80 02

AL: number of holes



PF 2 34 238 006

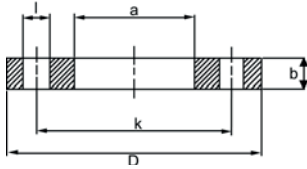
DN [mm]	Inch	Code	SP	kg	D [mm]	D1 [mm]	D2 [mm]	D3 [mm]	D4 [mm]	H [mm]	H1 [mm]	AL	SC
15	1/2	727 705 006	-	0.083	95	70	28	36	15	16	5	4	M12
20	3/4	727 705 007	-	0.101	100	75	34	43	15	18	6	4	M12
25	1	727 705 008	-	0.168	125	90	42	52	19	20	6	4	M16
32	1 1/4	727 705 009	-	0.195	135	100	51	63	19	21	7	4	M16
40	1 1/2	727 705 010	-	0.196	140	105	62	76	19	21	7	4	M16
50	2	727 705 011	-	0.228	155	120	78	92	19	21	8	4	M16



Backing Flange PVDF-Steel ANSI Flange Ring blue coated steel

Material: PVDF blue coated steel

Bolt holes drilled in accordance with ANSI B16.5, Class 150 pattern



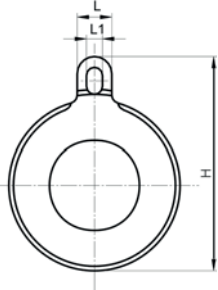
PF 2 34 238 007

d [mm]	Inch	Code	Weight [lb]	D [inch]	a [inch]	k [inch]	b [inch]	l [inch]	Bolt Holes
20	1/2	155 701 806	0.50	3.50	1.10	2.36	0.28	0.63	4
25	3/4	155 701 807	0.75	3.86	1.34	2.76	0.28	0.63	4
32	1	155 701 808	0.75	4.25	1.65	3.11	0.28	0.63	4
40	1 1/4	155 701 809	1.13	4.61	2.01	3.50	0.32	0.63	4
50	1 1/2	155 701 810	1.31	5.00	2.44	3.86	0.32	0.63	4
63	2	155 701 811	2.13	5.98	3.07	4.76	0.39	0.75	4

SYGEF Plus Gasket

Model:

- For Use with Steel Flange Rings
- * Non-Returnable/Non-Cancelable



PF 2 37 344 001

d [mm]	Pipe Size [inch]	Code	SP	kg	H [inch]	L [inch]	L1 [inch]
25	3/4	731 400 753	1	0.035	2.99	0.79	0.51
32	1	731 400 755	1	0.040	3.58	0.98	0.63
40	1 1/4	731 400 757	1	0.030	3.98	0.98	0.63
50	1 1/2	731 400 759	1	0.055	4.33	0.98	0.63
63	2	731 400 760	1	0.080	5.04	0.98	0.63

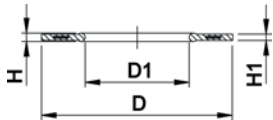
EPDM 48 44 07
FPM 49 44 07

Profile flange gasket metric

Model:

- For all metric GF Flange Adaptors
- Profile Gasket with steel insert (type G-ST-P/K)
- Hardness: 70° Shore **EPDM**, 75° Shore **FPM**
- **EPDM**: approved acc. to DVGW W 270, KTW recommendation
- Centering on the inner diameter of the screw crown
- material steel insert: carbon steel

di FA are the suitable inner diameters of flange adaptors



PF 2 30 162 037

d [mm]	DN [mm]	PN	EPDM Code	FPM Code	kg
16	10	16	748 440 705	749 440 705	0.012
20	15	16	748 440 706	749 440 706	0.013
25	20	16	748 440 707	749 440 707	0.014
32	25	16	748 440 708	749 440 708	0.019
40	32	16	748 440 709	749 440 709	0.026
50	40	16	748 440 710	749 440 710	0.039
63	50	16	748 440 711	749 440 711	0.050

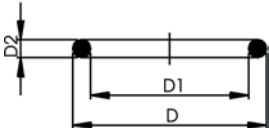
d [mm]	DN [mm]	D [mm]	D1 [mm]	H [mm]	H1 [mm]	di FA [mm]	Closest inch
16	10	46	16	4	3	6 - 16	
20	15	51	20	4	3	10 - 20	
25	20	61	22	4	3	12 - 22	
32	25	71	28	4	3	18 - 28	
40	32	82	40	4	3	30 - 40	
50	40	92	46	4	3	36 - 46	
63	50	107	58	5	4	48 - 58	

EPDM 48 41 01
 FPM 49 41 01

O-Ring gasket

Model:

- For Flange Adaptors
- Hardness approx. 65° Shore



PF 2 31 800 999

d [mm]	DN [mm]	EPDM Code	FPM Code	SP	kg	D [mm]	D1 [mm]	D2 [mm]	closest inch
20	15	748 410 001	749 410 001	100	0.002	31	23	3.53	½
25	20	748 410 007	749 410 007	100	0.002	35	28	3.53	¾
32	25	748 410 002	749 410 002	100	0.003	43	36	3.53	1
40	32	748 410 003	749 410 003	-	0.001	55	44	5.34	1 ¼
50	40	748 410 012	749 410 012	100	0.008	64	53	5.34	1 ½
63	50	748 410 013	749 410 013	100	0.011	80	69	5.34	2

Installation fittings

SYGEF Standard installation fitting type 310 (FPM black) PN16 for socket fusion systems



Model:

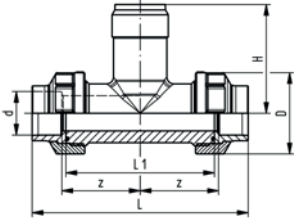
- Material: PVDF
- Threaded outlet 1 ¼" NPSM
- Union end with fusion socket PVDF

Range of use:

- compatible signet flow sensors: type 2551, 2537, 515, 8510, 2536, 8512
- compatible signet pH/ORP sensors: type 2724, 2725, 2726

Attention:

- sensor length depends on installation fitting
- supplied with sealing



d [mm]	PN	Code	SP	kg	D [mm]	z [mm]	L [mm]	L1 [mm]	H [mm]	Sensor Type
20	16	735 310 036	-	0.250	45	50	128	90	76	flow X0, pH XX
25	16	735 310 037	1	0.355	55	55	142	100	78	flow X0, pH XX
32	16	735 310 038	-	0.427	62	60	156	110	81	flow X0, pH XX
40	16	735 310 039	1	0.540	75	60	160	110	85	flow X0, pH XX
50	16	735 310 040	-	0.850	84	65	176	120	89	flow X0, pH XX
63	16	735 310 041	1	1.182	101	70	194	130	95	flow X0, pH XX

PF 2 98 930 006

SYGEF Standard installation fitting type 311 (FPM black)

Model:

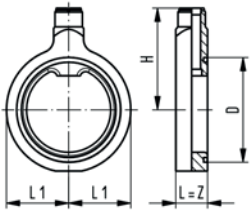
- Material: PVDF
- Threaded outlet 1 ¼" NPSM
- Suitable for backing flanges metric and inch
- Delivered with profile O-ring

Range of use:

- compatible signet flow sensors: type 2551, 2537, 515, 8510, 2536, 8512

Attention:

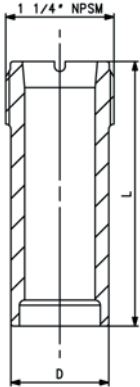
- sensor length depends on installation fitting



d [mm]	DN [mm]	d [inch]	PN [bar]	Code	kg	H [mm]	D [mm]	L [mm]	L1 [mm]	Sensor Type
75	65	2 ½	10 / 16	735 311 042	0.845	135	88	48	61	flow X1
90	80	3	10 / 16	735 311 043	1.020	141	102	48	69	flow X1
110	100	4	10 / 16	735 311 044	1.192	152	132	48	79	flow X1
125	100	10 / 16	10 / 16	735 311 045	0.990	147	132	48	79	flow X1
140	125	5	10 / 16	735 311 046	1.473	153	157	48	94	flow X1
160	150	6	10 / 16	735 311 047	1.742	161	482	48	106	flow X1
200	200	8	10 / 16	735 311 049	2.643	175	236	48	134	flow X1
225	200	8	10 / 16	735 311 050	2.074	185	236	48	134	flow X1

PF 2 98 930 006

SYGEF Standard installation fitting type 314



PF 2 98 931 006

Model:

- Material: PVDF
- for conventional hot gas back welding according to DVS 2207 part 3
- Threaded outlet 1 1/4" NPSM

Range of use:

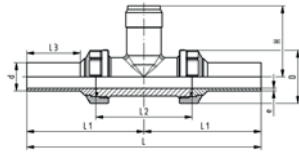
- compatible signet flow sensors: type 2551, 2537, 515, 8510, 2536, 8512
- compatible signet pH/ORP sensors: type 2724, 2725, 2726

Attention:

- only for pressureless or low pressure application
- pressure rate depends on quality of hot gas back welding
- please consult the instruction manual
- Installation by trained and certified welders only

d [mm]	DN	PN* [bar]	Code	SP	kg	D [mm]	L [mm]	Sensor Type
75 - 180	65 - 150	-	735 314 000	1	0.069	37.5	68	flow X0, pH XX
200 - 355	200 - 350	-	735 314 001	1	0.100	37.5	102	flow X1
400 - 630	350 - 600	-	735 314 002	1	0.173	37.5	178	flow X2

SYGEF Standard installation fitting type 318 (FPM black) PN16 for butt fusion systems



PF 2 98 930 006

Model:

- Material: PVDF
- Threaded outlet 1 1/4" NPSM
- Union end with butt fusion spigot PVDF

Range of use:

- compatible signet flow sensors: type 2551, 2537, 515, 8510, 2536, 8512
- compatible signet pH/ORP sensors: type 2724, 2725, 2726

Attention:

- sensor length depends on installation fitting
- supplied with sealing

d [mm]	DN [mm]	PN	FM	Code	SP	kg
20	15	16	BCF, IR	735 318 036	1	0.240
25	20	16	BCF, IR	735 318 037	1	0.318
32	25	16	BCF, IR	735 318 038	1	0.427
40	32	16	BCF, IR	735 318 039	1	0.700
50	40	16	BCF, IR	735 318 040	1	0.719
63	50	16	BCF, IR	735 318 041	1	1.088

d [mm]	e [mm]	D [mm]	L [mm]	L1 [mm]	L2 [mm]	L3 [mm]	H [mm]	Sensor Type
20	1.9	45	196	98	90	37	76	flow X0, pH XX
25	1.9	55	212	106	100	37	78	flow X0, pH XX
32	2.4	62	228	114	110	40	81	flow X0, pH XX
40	2.4	75	234	117	110	40	85	flow X0, pH XX
50	3.0	84	250	125	120	43	89	flow X0, pH XX
63	3.0	101	266	133	130	43	95	flow X0, pH XX

Copiable

Configurator GF Ball Valve Type 546 PVDF

Ball valve

A01 Ball valve 546

Material

B15 PVDF

Dimension

C05 d 16 DN 10 3/8"
 C06 d 20 DN 15 1/2"
 C07 d 25 DN 20 3/4"
 C08 d 32 DN 25 1"
 C09 d 40 DN 32 1 1/4"
 C10 d 50 DN 40 1 1/2"
 C11 d 63 DN 50 2"
 C12 DN 65 2 1/2"
 C13 DN 80 3"
 C14 DN 100 4"

Version

D01 Standard, PTFE ball seal
 D02 oilfree, PTFE ball seal (only with specific connecting parts)
 D03 silicon-free, PTFE ball seal (only with specific connecting parts)
 D04 silicon-free, PVDF ball seal for metric (only with specific connecting parts)

Seals

E01 EPDM seals
 E02 FPM seals
 E03 FPM/KALREZ® seals

Threaded inserts

F01 without threaded inserts
 F02 with threaded inserts

Connecting parts

G50 PVDF Fusion socket metric
 G51 PVDF Socket fusion spigot metric
 G52 PVDF Butt fusion spigot IR Plus metric
 G53 PVDF Threaded socket NPT
 G64 PVDF Fixed flange PVDF serrated metric
 G72 backing flange PP-St metric
 G73 backing flange PP-St ANS
 G76 backing flange PPGF JIS

Multi-functional module

I01 No multi-functional module
 I02 Empty module
 I03 Module with 2 limit switches Ag, Ni
 I04 Module with 2 limit switches Au
 I05 Module with 2 inductive switches Namur
 I06 Module with 2 inductive switches PNP
 I07 Module with 2 inductive switches NPN

Lever

K01 Standard handle red
 K02 Standard handle black
 K11 Multi-functional handle red

Mounting plate

L01 without mounting plate
 L02 with mounting plate

You will find a large selection of different versions in our range of products. New system elements also provide you with new opportunities for use. In order for us to supply exactly the ball valve you need for your application, we put together a selection menu for you (the maximum working pressure of the whole valve is determined by the maximum permissible nominal pressure of the connecting part).

We supply what you put together.

A01

B15

C

D

E

F

G

G

I

K

L

left

right

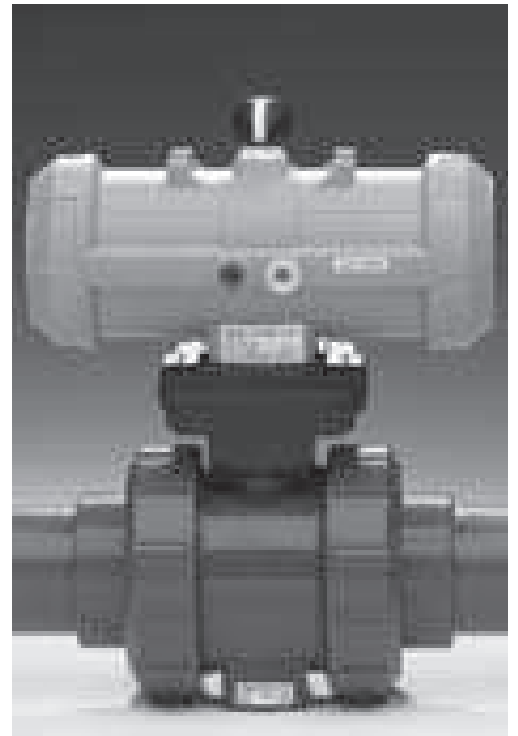
Copiable

GF ball valve type 546 with pneumatic actuator

It's so easy to configure the type 546:

With the configurator, you have a choice of new pneumatic actuators PA11 and PA21 in 2 optimized sizes including a large range of accessories.

We supply what you put together.



Pneumatic actuators PA11/PA21

- P01 Fail safe to close PA11/PA21
- P02 Fail safe to open PA11/21
- P03 Double acting PA11/21
- P30 Fail safe to close PA30/90
- P31 Fail safe to open PA30/90
- P32 Double acting PA30/90

Manual override

- Q01 without manual override
- Q02 with manual override

Stroke limiter

- R01 without stroke limiter
- R02 with stroke limiter

P	Q	R	
----------	----------	----------	--

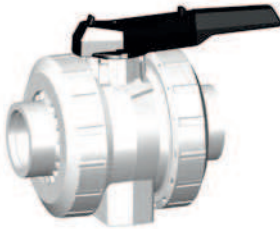
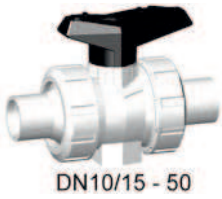
Ball valves

SYGEF Standard

Ball valve type 546

With mounting inserts

With butt fusion spigots IR-Plus metric

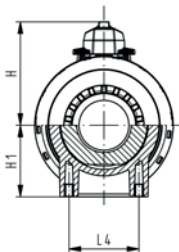
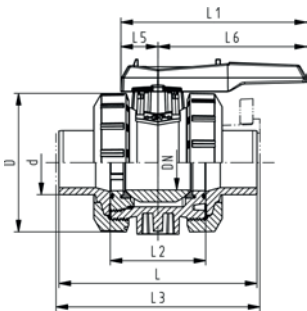
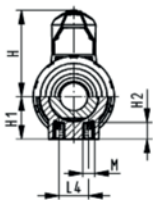
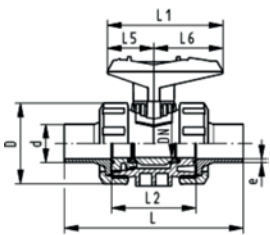


Model:

- Material: PVDF
- For easy installation and removal
- Ball seals PTFE
- Integrated stainless steel mounting inserts
- z-dimension, valve end and union nut are not compatible with type 346

Option:

- Individual configuration of the valve (see diagram)
- Multifunctional module with integrated limit switches
- Pneumatic or electric actuators from +GF+



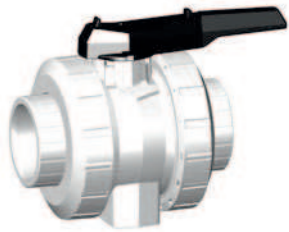
d [mm]	DN [mm]	PN	kv-value ($\Delta p=1$ bar) [l/min]	FPM Code	kg
20	15	16	185	175 546 272	0.201
25	20	16	350	175 546 273	0.301
32	25	16	700	175 546 274	0.440
40	32	16	1000	175 546 275	0.780
50	40	16	1600	175 546 276	1.110
63	50	16	3100	175 546 277	1.958
75	65	16	5000	175 546 278	7.600
90	80	16	7000	175 546 279	7.457
110	100	16	11000	175 546 280	17.400

d [mm]	D [mm]	H [mm]	H1 [mm]	H2 [mm]	L [mm]	L1 [mm]	L2 [mm]	L4 [mm]	L5 [mm]	L6 [mm]	M	e [mm]	closest inch
20	50	57	27	12	130	77	56	25	32	45	M6	1.9	1/2
25	58	67	30	12	143	97	65	25	39	58	M6	1.9	3/4
32	68	73	36	12	150	97	71	25	39	58	M6	2.4	1
40	84	90	44	15	171	128	85	45	54	74	M8	2.4	1 1/4
50	97	97	51	15	191	128	89	45	54	74	M8	3.0	1 1/2
63	124	116	64	15	220	152	101	45	66	87	M8	3.0	2
75	166	149	85	15	266	270	136	70	64	206	M8	3.6	2 1/2
90	200	161	105	15	264	270	141	70	64	206	M8	4.3	3
110	238	178	123	22	301	320	164	120	64	256	M12	5.3	4

PF 2 35 540 801



DN10/15 - 50



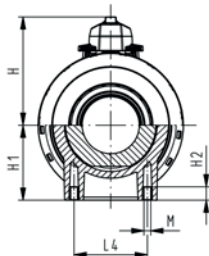
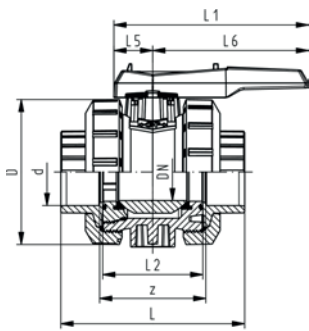
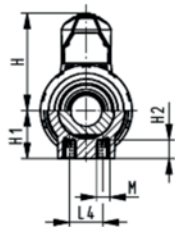
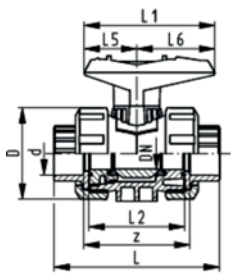
SYGEF Standard Ball valve type 546 With mounting inserts With fusion sockets metric

Model:

- Material: PVDF
- For easy installation and removal
- Ball seals PTFE
- Integrated stainless steel mounting inserts
- z-dimension, valve end and union nut are not compatible with type 346

Option:

- Individual configuration of the valve (see diagram)
- Multifunctional module with integrated limit switches
- Pneumatic or electric actuators from +GF+



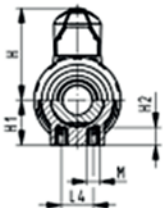
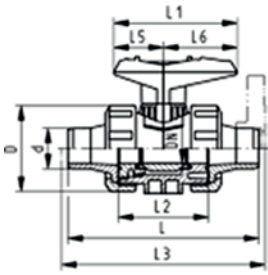
d [mm]	DN [mm]	PN	kv-value ($\Delta p=1$ bar) [l/min]	FPM Code	kg
16	10	16	71	175 546 411	0.195
20	15	16	185	175 546 412	0.197
25	20	16	350	175 546 413	0.302
32	25	16	700	175 546 414	0.431
40	32	16	1000	175 546 415	0.760
50	40	16	1600	175 546 416	1.011
63	50	16	3100	175 546 417	1.856
75	65	16	5000	175 546 418	6.300
90	80	16	7000	175 546 419	9.500
110	100	16	11000	175 546 420	15.000

d [mm]	D [mm]	H [mm]	H1 [mm]	H2 [mm]	L [mm]	L1 [mm]	L2 [mm]	L4 [mm]	L5 [mm]	L6 [mm]	M	z [mm]	closest inch
16	50	79	27	12	93	77	56	25	32	45	M6	67	3/8
20	50	57	27	12	95	77	56	25	32	45	M6	66	1/2
25	58	67	30	12	109	97	65	25	39	58	M6	77	3/4
32	68	73	36	12	119	97	71	25	39	58	M6	83	1
40	84	90	44	15	135	128	85	45	54	74	M8	99	1 1/4
50	97	97	51	15	147	128	89	45	54	74	M8	105	1 1/2
63	124	116	64	15	168	152	101	45	66	87	M8	117	2
75	166	149	85	15	233	270	136	70	64	206	M8	167	2 1/2
90	200	161	105	15	254	270	141	70	64	206	M8	180	3
110	238	178	123	22	301	320	164	120	64	256	M12	215	4

PF 2 35 540 801



DN10/15 - 50



SYGEF Standard Ball valve type 546 With mounting inserts With socket fusion spigots metric

Model:

- Material: PVDF
- For easy installation and removal
- Ball seals PTFE
- Integrated stainless steel mounting inserts
- z-dimension, valve end and union nut are not compatible with type 346

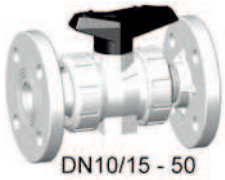
Option:

- Individual configuration of the valve (see diagram)
- Multifunctional module with integrated limit switches
- Pneumatic or electric actuators from +GF+

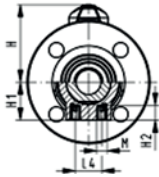
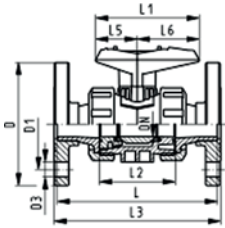
d [mm]	DN [mm]	PN	kv-value ($\Delta p=1$ bar) [l/min]	FPM Code	kg
16	10	16	71	175 546 051	0.200
20	15	16	185	175 546 052	0.205
25	20	16	350	175 546 053	0.310
32	25	16	700	175 546 054	0.460
40	32	16	1000	175 546 055	0.780
50	40	16	1600	175 546 056	1.110
63	50	16	3100	175 546 057	2.150

d [mm]	D [mm]	H [mm]	H1 [mm]	H2 [mm]	L [mm]	L1 [mm]	L2 [mm]	L3 [mm]	L4 [mm]	L5 [mm]	L6 [mm]	M	closest inch
16	50	57	27	12	110	77	56		25	32	45	M6	3/8
20	50	57	27	12	120	77	56	130	25	32	45	M6	1/2
25	58	67	30	12	139	97	65	150	25	39	58	M6	3/4
32	68	73	36	12	150	97	71	160	25	39	58	M6	1
40	84	90	44	15	170	128	85	180	45	54	74	M8	1 1/4
50	97	97	51	15	190	128	89	200	45	54	74	M8	1 1/2
63	124	116	64	15	220	152	101	230	45	66	87	M8	2

PF 2 35 540 801



DN10/15 - 50



SYGEF Standard Ball valve type 546 With mounting inserts With fixed flanges PVDF serrated metric

Model:

- Material: PVDF
- For easy installation and removal
- Ball seals PTFE
- Integrated stainless steel mounting inserts
- z-dimension, valve end and union nut are not compatible with type 346
- Overall length EN 558

Option:

- Individual configuration of the valve (see diagram)
- Multifunctional module with integrated limit switches
- Pneumatic or electric actuators from +GF+

d [mm]	DN [mm]	PN	kv-value ($\Delta p=1$ bar) [l/min]	FPM Code	kg
20	15	16	185	175 546 192	0.470
25	20	16	350	175 546 193	0.650
32	25	16	700	175 546 194	0.940
40	32	16	1000	175 546 195	1.489
50	40	16	1600	175 546 196	1.889
63	50	16	3100	175 546 197	3.097

d [mm]	D [mm]	D1 [mm]	D3 [mm]	H [mm]	H1 [mm]	H2 [mm]	L [mm]	L1 [mm]	L2 [mm]	L3 [mm]	L4 [mm]	L5 [mm]	L6 [mm]	M	closest inch
20	93	65	14	57	27	12	120	77	56	130	25	32	45	M6	½
25	103	75	14	67	30	12	140	97	65	150	25	39	58	M6	¾
32	115	85	14	73	36	12	150	97	71	160	25	39	58	M6	1
40	137	100	18	90	44	15	170	128	85	180	45	54	74	M8	1 ¼
50	147	110	18	97	51	15	190	128	89	200	45	54	74	M8	1 ½
63	162	125	18	116	64	15	220	152	101	230	45	66	87	M8	2

PF 2 35 540 801



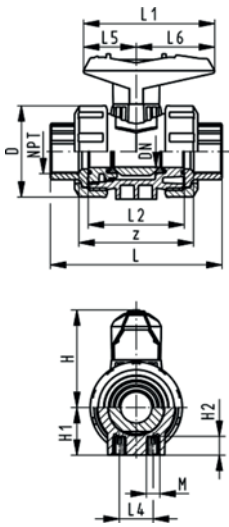
SYGEF Standard Ball valve type 546 With mounting inserts With threaded sockets NPT

Model:

- Material: PVDF
- For easy installation and removal
- Ball seals PTFE
- Integrated stainless steel mounting inserts
- z-dimension, valve end and union nut are not compatible with type 346

Option:

- Individual configuration of the valve (see diagram)
- Multifunctional module with integrated limit switches
- Pneumatic or electric actuators from +GF+



NPT [inch]	DN [mm]	PN	kv-value ($\Delta p=1$ bar) [l/min]	FPM Code	kg
3/4	10	10	71	175 546 331	0.205
1/2	15	10	185	175 546 332	0.205
3/4	20	10	350	175 546 333	0.325
1	25	10	700	175 546 334	0.490
1 1/4	32	10	1000	175 546 335	0.820
1 1/2	40	10	1600	175 546 336	1.135
2	50	10	3100	175 546 337	2.150

NPT [inch]	D [mm]	H [mm]	H1 [mm]	H2 [mm]	L [mm]	L1 [mm]	L2 [mm]	L4 [mm]	L5 [mm]	L6 [mm]	M	z [mm]
3/4	50	57	27	12	96	77	56	25	32	45	M6	69
1/2	50	57	27	12	99	77	56	25	32	45	M6	64
3/4	58	67	30	12	111	97	65	25	39	58	M6	76
1	68	73	36	12	127	97	71	25	39	58	M6	83
1 1/4	84	90	44	15	146	128	85	45	54	74	M8	101
1 1/2	97	97	51	15	157	128	89	45	54	74	M8	111
2	124	116	64	15	183	152	101	45	66	87	M8	135

PF 2 35 540 803



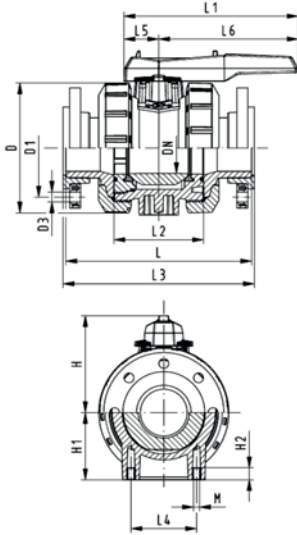
SYGEF Standard Ball valve type 546 With mounting inserts With backing flanges PP-st metric

Model:

- Material: PVDF
- For easy installation and removal
- Ball seals PTFE
- Integrated stainless steel mounting inserts
- z-dimension, valve end and union nut are **not compatible** with type 346 (DN10/15-50) resp. type 370 (DN65-100)
- Overall length according to EN 558
- Connecting dimension: ISO 7005, EN 1092, BS 4504, DIN 2501

Option:

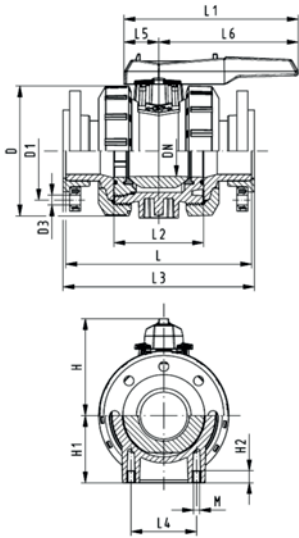
- Individual configuration of the valve (see diagram)
- Multifunctional module with integrated limit switches
- Pneumatic or electric actuators from +GF+



d [mm]	DN [mm]	PN	kv-value ($\Delta p=1$ bar) [l/min]	FPM Code	kg
75	65	16	5000	175 546 808	11.700
90	80	16	7000	175 546 809	16.000
110	100	16	11000	175 546 810	23.900

d [mm]	D [mm]	D1 [mm]	D3 [mm]	L [mm]	L1 [mm]	L2 [mm]	L3 [mm]	L4 [mm]	L5 [mm]	L6 [mm]	H [mm]	H1 [mm]	M	closest inch
75	166	145	18	280	270	136	290	70	64	206	149	85	8	2 ½
90	200	160	18	296	270	141	310	70	64	206	161	105	8	3
110	238	180	18	336	320	164	350	120	64	256	178	123	12	4

PF 2 35 540 801



SYGEF Standard Ball valve type 546 With mounting inserts With backing flanges PP-st Inch ANSI

Model:

- Material: PVDF
- For easy installation and removal
- Ball seals PTFE
- Integrated stainless steel mounting inserts
- z-dimension, valve end and union nut are **not compatible** with type 346 (DN10/15-50) resp. type 370 (DN65-100)
- Overall length according to EN 558
- Connecting dimension: ISO 7005, EN 1092, BS 4504, DIN 2501

Option:

- Individual configuration of the valve (see diagram)
- Multifunctional module with integrated limit switches
- Pneumatic or electric actuators from +GF+

Inch	DN [mm]	PN	kv-value ($\Delta p=1$ bar) [l/min]	FPM Code	kg
2 ½	65	10	5000	175 546 818	11.700
3	80	10	7000	175 546 819	16.000
4	100	10	11000	175 546 820	23.900

Inch	D [mm]	D1 [mm]	D3 [mm]	L [mm]	L1 [mm]	L2 [mm]	L3 [mm]	L4 [mm]	L5 [mm]	L6 [mm]	H [mm]	H1 [mm]	M	closest inch
2 ½	166	145	18	280	270	136	290	70	64	206	149	85	8	2 ½
3	200	160	18	296	270	141	310	70	64	206	161	105	8	3
4	238	180	18	336	320	164	350	120	64	256	178	123	12	4

PF 2 35 540 803



DN10/15 - 50



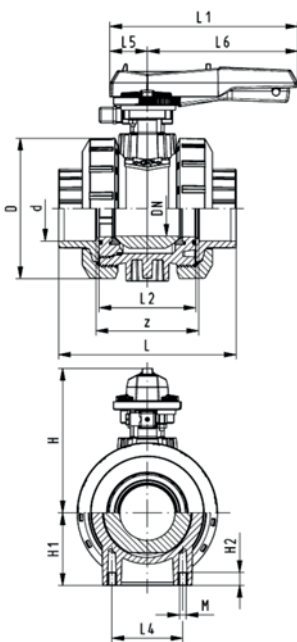
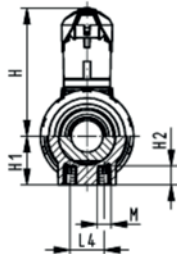
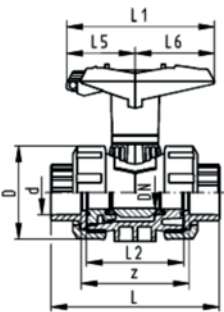
SYGEF Standard Ball valve type 546 With lockable handle With fusion sockets metric

Model:

- Material: PVDF
- For easy installation and removal
- Ball seals PTFE
- Integrated stainless steel mounting inserts
- Lockable hand lever with ratchet settings
- z-dimension, valve end and union nut are not compatible with type 346

Option:

- Individual configuration of the valve (see diagram)
- Multifunctional module with integrated limit switches
- Pneumatic or electric actuators from +GF+



d [mm]	DN [mm]	PN	kv-value ($\Delta p=1$ bar) [l/min]	FPM Code	kg
16	10	16	71	175 546 431	0.206
20	15	16	185	175 546 432	0.210
25	20	16	350	175 546 433	0.315
32	25	16	700	175 546 434	0.455
40	32	16	1000	175 546 435	0.785
50	40	16	1600	175 546 436	1.085
63	50	16	3100	175 546 437	1.903
75	65	16	5000	175 546 438	6.800
90	80	16	7000	175 546 439	10.000
110	100	16	11000	175 546 440	15.600

d [mm]	D [mm]	H [mm]	H1 [mm]	H2 [mm]	L [mm]	L1 [mm]	L2 [mm]	L4 [mm]	L5 [mm]	L6 [mm]	M	z [mm]	closest inch
16	50	79	27	12	93	77	56	25	32	45	M6	67	3/8
20	50	79	27	12	95	77	56	25	32	45	M6	66	1/2
25	58	88	30	12	109	97	65	25	39	58	M6	77	3/4
32	68	94	36	12	119	97	71	25	39	58	M6	83	1
40	84	113	44	15	135	128	85	45	54	74	M8	99	1 1/4
50	97	119	51	15	147	128	89	45	54	74	M8	105	1 1/2
63	124	141	64	15	168	152	101	45	66	87	M8	117	2
75	166	224	85	15	233	270	136	70	64	206	M8	167	2 1/2
90	200	235	105	15	254	270	141	70	64	206	M8	180	3
110	238	245	123	22	301	320	164	120	64	256	M12	215	4

PF 2 35 540 801

SYGEF Standard

Ball valve type 546

With lockable handle

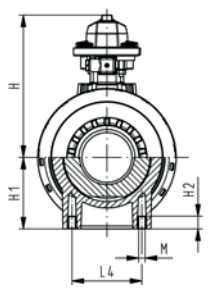
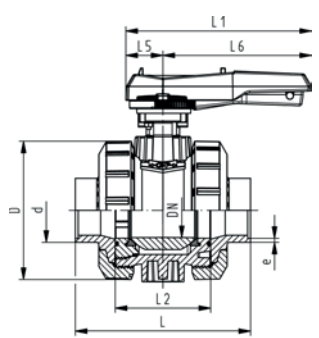
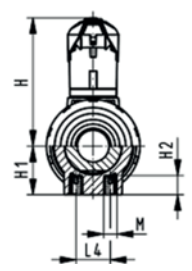
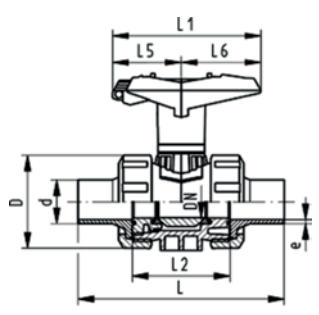
With butt fusion spigots IR-Plus metric

Model:

- Material: PVDF
- For easy installation and removal
- Ball seals PTFE
- Integrated stainless steel mounting inserts
- Lockable hand lever with ratchet settings

Option:

- Individual configuration of the valve (see diagram)
- Multifunctional module with integrated limit switches
- Pneumatic or electric actuators from +GF+



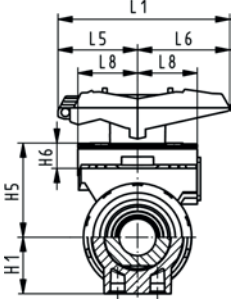
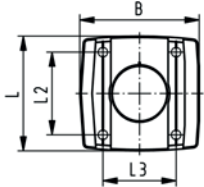
d [mm]	DN [mm]	PN	kv-value ($\Delta p=1$ bar) [l/min]	FPM Code	kg
20	15	16	185	175 546 442	0.205
25	20	16	350	175 546 443	0.310
32	25	16	700	175 546 444	0.460
40	32	16	1000	175 546 445	0.780
50	40	16	1600	175 546 446	1.110
63	50	16	3100	175 546 447	2.150
75	65	16	5000	175 546 448	7.000
90	80	16	7000	175 546 449	10.200
110	100	16	11000	175 546 450	15.800

d [mm]	D [mm]	H [mm]	H1 [mm]	H2 [mm]	L [mm]	L1 [mm]	L2 [mm]	L4 [mm]	L5 [mm]	L6 [mm]	M	e [mm]	closest inch
20	50	79	27	12	130	87	56	25	42	45	M6	1.9	1/2
25	58	88	30	12	143	108	65	25	50	58	M6	1.9	3/4
32	68	94	36	12	150	108	71	25	50	58	M6	2.4	1
40	84	113	44	15	171	140	85	45	66	75	M8	2.4	1 1/4
50	97	119	51	15	191	140	89	45	66	75	M8	3.0	1 1/2
63	124	141	64	15	220	165	101	45	78	87	M8	3.0	2
75	166	224	85	15	266	270	136	70	64	206	M8	3.6	2 1/2
90	200	235	105	15	264	270	141	70	64	206	M8	4.3	3
110	238	245	123	22	301	320	164	120	64	256	M12	5.3	4

PF 2 35 540 801



DN10/15 - 50



PF 2 31 798 999

Multifunctional module (I02) PP-GF Module empty

Model:

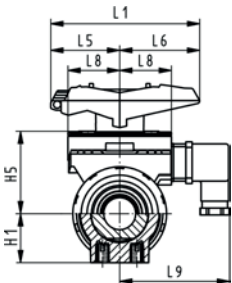
- Accessory to Ball Valve Type 546
- Multifunctional module acts as an intermediate element for actuators
- For operation with handle, multifunctional handle has to be ordered separately.
- Including screws to mount the module and stainless steel coupling piece (V2A) for dimension DN65-100
- The multifunctional module from d75 - d110 has a master gauge F07 according to EN ISO 5211.

d-d [mm]	Inch [inch]	DN-DN [mm]	Code	kg
16 - 20	3/8 - 1/2	10 - 15	167 482 680	0.069
25 - 32	3/4 - 1	20 - 25	167 482 681	0.149
40 - 50	1 1/4 - 1 1/2	32 - 40	167 482 682	0.168
- 63	2	- 50	167 482 683	0.209
75 - 90	2 1/2 - 3	65 - 80	167 482 684	0.379
- 110	4	- 100	167 482 685	0.607

d-d [mm]	B [mm]	H1 [mm]	H5 [mm]	H6 [mm]	L [mm]	L1 [mm]	L2 [mm]	L3 [mm]	L5 [mm]	L6 [mm]	L8 [mm]
16 - 20	67	27	50	17	72	87	54	40	42	45	34
25 - 32	75	30	53	16	72	108	52	46	50	58	38
40 - 50	81	44	72	16	80	140	60	50	66	75	41
- 63	91	64	94	19	93	165	68	65	78	87	46
75 - 90	90	85	157	23	85	270			64	206	
- 110	106	123	175	23	97	320			64	256	



DN10/15 - 50



PF 2 31 798 999

Multifunctional module (I03) PP-GF With mechanical limit switches Ag Ni

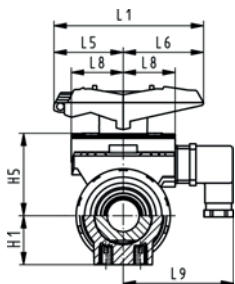
Model:

- Accessory to Ball Valve Type 546
- Multifunctional module acts as an intermediate element for actuators
- For operation with handle, multifunctional handle has to be ordered separately.
- Including Plug 3P+E / Protection: IP65
- Including screws to mount the module and stainless steel coupling piece (V2A) for dimension DN65-100

d-d [mm]	Inch [inch]	DN-DN [mm]	Code	kg	H1 [mm]	H5 [mm]	L1 [mm]	L5 [mm]	L6 [mm]	L8 [mm]	L9 [mm]
16 - 20	3/8 - 1/2	10 - 15	167 482 626	0.104	27	50	87	42	45	34	73
25 - 32	3/4 - 1	20 - 25	167 482 627	0.118	30	53	108	50	58	38	77
40 - 50	1 1/4 - 1 1/2	32 - 40	167 482 628	0.140	44	72	140	66	75	41	80
- 63	2	- 50	167 482 629	0.257	64	94	165	78	87	46	85
75 - 90	2 1/2 - 3	65 - 80	167 482 630	0.478	85	157	270	64	206		
- 110	4	- 100	167 482 631	0.480	123	175	320	64	256		



DN10/15 - 50



PF 2 31 798 999

Multifunctional module (I04) PP-GF With mechanical limit switches Au

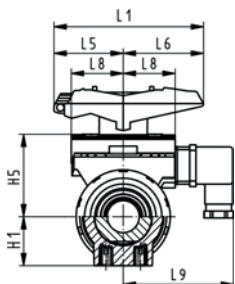
Model:

- Accessory to Ball Valve Type 546
- Multifunctional module acts as an intermediate element for actuators
- For operation with handle, multifunctional handle has to be ordered separately.
- Including Plug 3P+E / Protection: IP65
- Including screws to mount the module and stainless steel coupling piece (V2A) for dimension DN65-100

d-d [mm]	Inch [inch]	DN-DN [mm]	Code	kg	H1 [mm]	H5 [mm]	L1 [mm]	L5 [mm]	L6 [mm]	L8 [mm]	L9 [mm]
16 - 20	3/8 - 1/2	10 - 15	167 482 635	0.103	27	50	87	42	45	34	73
25 - 32	3/4 - 1	20 - 25	167 482 636	0.120	30	53	108	50	58	38	77
40 - 50	1 1/4 - 1 1/2	32 - 40	167 482 637	0.138	44	72	140	66	75	41	80
- 63	2	- 50	167 482 638	0.175	64	94	165	78	87	46	85
75 - 90	2 1/2 - 3	65 - 80	167 482 639	0.460	85	157	270	64	206		
- 110	4	- 100	167 482 640	0.480	123	175	320	64	256		



DN10/15 - 50



PF 2 31 798 999

Multifunctional module (I05) PP-GF With inductive limit switches Namur

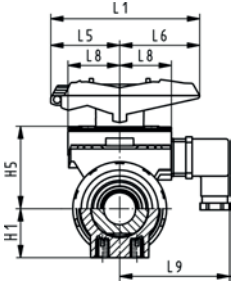
Model:

- Accessory to Ball Valve Type 546
- Multifunctional module acts as an intermediate element for actuators
- For operation with handle, multifunctional handle has to be ordered separately.
- Including Plug 3P+E / Protection: IP65
- Including screws to mount the module and stainless steel coupling piece (V2A) for dimension DN65-100

d-d [mm]	Inch [inch]	DN-DN [mm]	Code	kg	H1 [mm]	H5 [mm]	L1 [mm]	L5 [mm]	L6 [mm]	L8 [mm]	L9 [mm]
16 - 20	3/8 - 1/2	10 - 15	167 482 671	0.097	27	50	87	42	45	34	73
25 - 32	3/4 - 1	20 - 25	167 482 672	0.107	30	53	108	50	58	38	77
40 - 50	1 1/4 - 1 1/2	32 - 40	167 482 673	0.135	44	72	140	66	75	41	80
- 63	2	- 50	167 482 674	0.257	64	94	165	78	87	46	85
75 - 90	2 1/2 - 3	65 - 80	167 482 675	0.460	85	157	270	64	206		
- 110	4	- 100	167 482 676	0.480	123	175	320	64	256		



DN10/15 - 50



PF 2 31 798 999

Multifunctional module (I06) PP-GF With inductive limit switches PNP

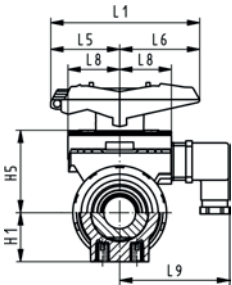
Model:

- Accessory to Ball Valve Type 546
- Multifunctional module acts as an intermediate element for actuators
- For operation with handle, multifunctional handle has to be ordered separately.
- Including Plug 3P+E / Protection: IP65
- Including screws to mount the module and stainless steel coupling piece (V2A) for dimension DN65-100

d-d [mm]	Inch [inch]	DN-DN [mm]	Code	kg	H1 [mm]	H5 [mm]	L1 [mm]	L5 [mm]	L6 [mm]	L8 [mm]	L9 [mm]
16 - 20	3/8 - 1/2	10 - 15	167 482 662	0.182	27	50	87	42	45	34	73
25 - 32	3/4 - 1	20 - 25	167 482 663	0.197	30	53	108	50	58	38	77
40 - 50	1 1/4 - 1 1/2	32 - 40	167 482 664	0.215	44	72	140	66	75	41	80
- 63	2	- 50	167 482 665	0.175	64	94	165	78	87	46	85
75 - 90	2 1/2 - 3	65 - 80	167 482 666	0.460	85	157	270	64	206		
- 110	4	- 100	167 482 667	0.480	123	175	320	64	256		



DN10/15 - 50



PF 2 31 798 999

Multifunctional module (I07) PP-GF With inductive limit switches NPN

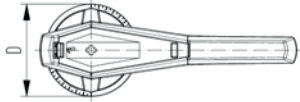
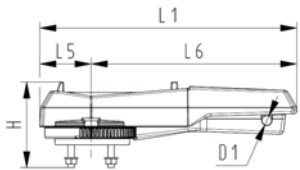
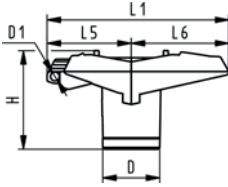
Model:

- Accessory to Ball Valve Type 546
- Multifunctional module acts as an intermediate element for actuators
- For operation with handle, multifunctional handle has to be ordered separately.
- Including Plug 3P+E / Protection: IP65
- Including screws to mount the module and stainless steel coupling piece (V2A) for dimension DN65-100

d-d [mm]	Inch [inch]	DN-DN [mm]	Code	kg	H1 [mm]	H5 [mm]	L1 [mm]	L5 [mm]	L6 [mm]	L8 [mm]	L9 [mm]
16 - 20	3/8 - 1/2	10 - 15	167 482 653	0.110	27	50	87	42	45	34	73
25 - 32	3/4 - 1	20 - 25	167 482 654	0.120	30	53	108	50	58	38	77
40 - 50	1 1/4 - 1 1/2	32 - 40	167 482 655	0.135	44	72	140	66	75	41	80
- 63	2	- 50	167 482 656	0.175	64	94	165	78	87	46	85
75 - 90	2 1/2 - 3	65 - 80	167 482 657	0.460	85	157	270	64	206		
- 110	4	- 100	167 482 658	0.480	123	175	320	64	256		



DN10/15 - 50



PF 2 31 798 999

Multifunctional handle 546 red (K11) With ratchet settings lockable

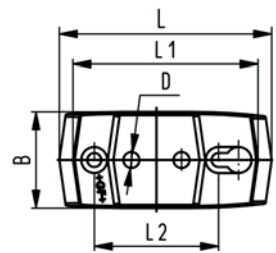
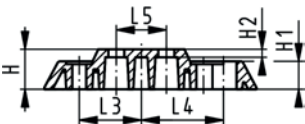
Note:

To retrofit the ball valve 546 with the multifunctional handle a multifunction module is necessary in the dimensions DN65-100

d-d [mm]	DN-DN [mm]	Code	kg	D [mm]	D1 [mm]	H [mm]	L1 [mm]	L5 [mm]	L6 [mm]
16 - 20	10 - 15	167 484 100	0.026	26	5	53	87	42	45
- 25	- 20	167 484 101	0.045	34	5	59	108	50	58
- 32	- 25	167 484 102	0.047	34	5	59	108	50	58
- 40	- 32	167 484 103	0.091	40	5	69	140	66	75
- 50	- 40	167 484 104	0.080	40	5	69	140	66	75
- 63	- 50	167 484 105	0.124	44	5	80	165	78	87
- 75	- 65	161 486 689	0.468	115	12	105	270	64	206
- 90	- 80	161 486 690	0.467	115	12	105	270	64	206
110 - 140	100 - 125	161 486 691	0.543	115	12	107	320	64	256

Mounting plate 546 and 543 PP-GF (L02)

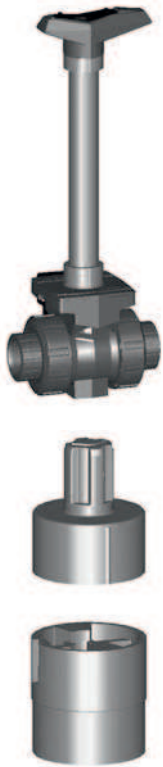
- 2 mounting screws inclusive



PF 2 31 798 999

d-d [mm]	Inch [inch]	DN-DN [mm]	Code	kg
16 - 32	3/8 - 1	10 - 25	167 484 110	0.054
40 - 63	1 1/4 - 2	32 - 50	167 484 111	0.066

d-d [mm]	B [mm]	D [mm]	H [mm]	H1 [mm]	H2 [mm]	L [mm]	L1 [mm]	L2 [mm]	L3 [mm]	L4 [mm]	L5 [mm]
16 - 32	48	8	20	14	4	106	92	62	31	41	25
40 - 63	54	9	20	14	4	149	134	104	52	62	45

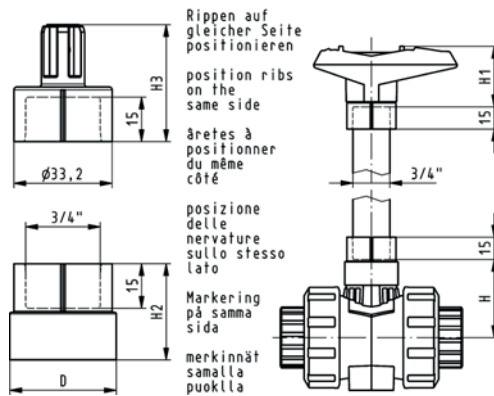


Handle extension 546 PVC-U inch BS/ASTM

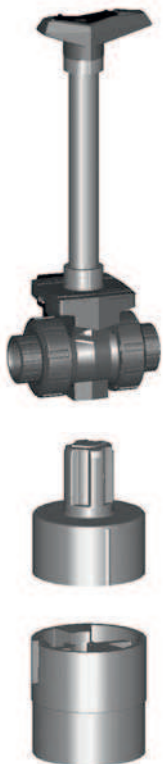
Model:

- For Ball Valve Type 546

DN-DN [mm]	Inch	Code	kg	H [mm]	H1 [mm]	H2 [mm]	H3 [mm]	D [mm]
10 - 15	3/8-1/2	161 486 443	0.032	41	52	29	36	26
20 - 25	3/4-1	161 486 444	0.030	50	62	32	39	36
32 - 40	1 1/4-1 1/2	161 486 445	0.047	65	76	34	44	40
50 -	2	161 486 446	0.058	84	87	37	48	44



PF 2 31 798 999

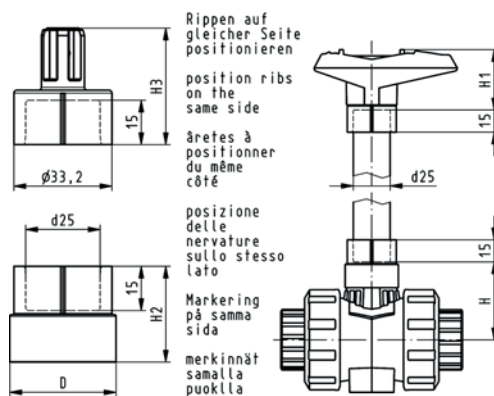


Handle extension 546 and 543 PVC-U metric

Model:

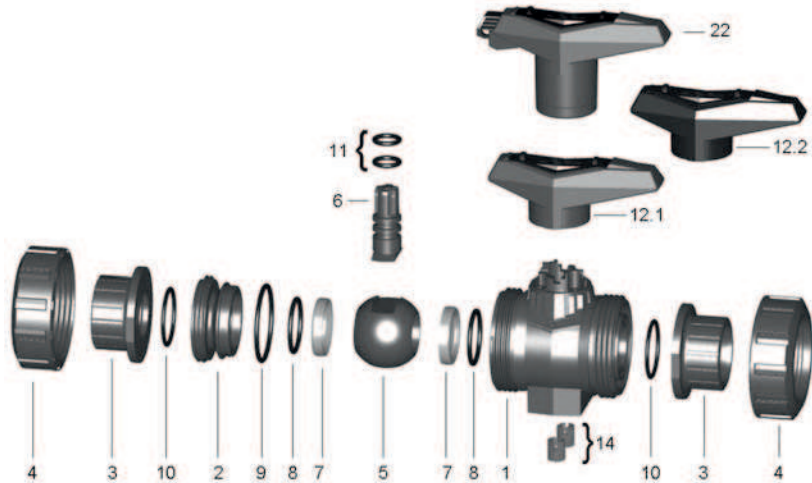
- For ball valve type 546 and 543
- Composed of adapter sockets for handle connection and stem connection
- PVC-U pipe in suitable length has to be obtained on site

d-d [mm]	DN-DN [mm]	Code	kg	H [mm]	H1 [mm]	H2 [mm]	H3 [mm]	D [mm]
16 - 20	10 - 15	161 486 435	0.030	41	52	29	36	26
25 - 32	20 - 25	161 486 436	0.029	50	62	32	39	36
40 - 50	32 - 40	161 486 437	0.045	65	76	34	44	40
- 63	- 50	161 486 438	0.059	84	87	37	48	44



PF 2 31 798 999

Spare parts ball valve type 546



Central part

Model:

- Every connecting pieces and union nuts are listed on product range industry valves
- Ball seals standard in PTFE
- Central part consisting of: body (1), union bush (2), ball (5), stem (6), ball-, backing-, body-, face- and stem seal (7-11), standard lever (12) and threaded inserts stainless steel (14)

d [mm]	Inch	DN [mm]	PVDF FPM Code	kg
16	3/8	10	175 482 963	0.120
20	1/2	15	175 482 963	0.120
25	3/4	20	175 482 964	0.185
32	1	25	175 482 965	0.260
40	1 1/4	32	175 482 966	0.480
50	1 1/2	40	175 482 967	0.610
63	2	50	175 482 968	1.115
75	2 1/2	65	175 482 969	4.793
90	3	80	175 482 970	6.905
110	4	100	175 482 971	10.915

PF 2 35 540 998

Ball set

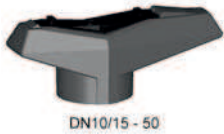
Model:

- Ball seals standard in PTFE
- Ball set consisting of: ball (5), stem (6), ball-, backing-, body- and stem seal (7-9,11)



d [mm]	Inch	DN [mm]	PVDF FPM Code	kg
16	3/8	10	175 483 275	0.020
20	1/2	15	175 483 275	0.020
25	3/4	20	175 483 276	0.030
32	1	25	175 483 277	0.055
40	1 1/4	32	175 483 278	0.105
50	1 1/2	40	175 483 279	0.160
63	2	50	175 483 280	0.310
75	2 1/2	65	175 483 281	0.675
90	3	80	175 483 282	1.055
110	4	100	175 483 283	1.747

PF 2 35 540 998



DN10/15 - 50



DN10/15 - 50



PF 2 31 798 999

Lever

d [mm]	Inch	DN [mm]	Standard lever red Code	Standard lever black Code	Multifunctional lever Code	kg	
16	3/8	10	167 484 088	167 484 076	167 484 100	0.026	
20	1/2	15	167 484 088	167 484 076	167 484 100	0.026	
25	3/4	20	167 484 089	167 484 077	167 484 101	0.045	
32	1	25	167 484 090	167 484 078	167 484 102	0.047	
40	1 1/4	32	167 484 091	167 484 079	167 484 103	0.091	
50	1 1/2	40	167 484 092	167 484 080	167 484 104	0.080	
63	2	50	167 484 093	167 484 081	167 484 105	0.124	
75	2 1/2	65	167 484 094	167 484 082	161 486 689	0.468	
90	3	80	167 484 095	167 484 083	161 486 690	0.467	
110	4	100	167 484 096	167 484 084	161 486 691	0.543	



Face seal

Model:

- Face seal no. 10

d [mm]	Inch	DN [mm]	FPM Code	kg	
16	3/8	10	749 410 059	0.001	
20	1/2	15	749 410 059	0.001	
25	3/4	20	749 410 106	0.001	
32	1	25	749 410 151	0.002	
40	1 1/4	32	749 410 062	0.005	
50	1 1/2	40	749 410 003	0.001	
63	2	50	749 410 231	0.008	
75	2 1/2	65	749 410 119	0.010	
90	3	80	749 410 023	0.012	
110	4	100	749 410 254	0.030	

PF 2 31 800 999



Seal set

Model:

- Seal set consisting of: backing-, body-, face- and stem seal (8-11)

d [mm]	Inch	DN [mm]	FPM Code	kg	
16	3/8	10	161 486 410	0.006	
20	1/2	15	161 486 410	0.006	
25	3/4	20	161 486 411	0.015	
32	1	25	161 486 412	0.008	
40	1 1/4	32	161 486 413	0.010	
50	1 1/2	40	161 486 414	0.023	
63	2	50	161 486 415	0.031	
75	2 1/2	65	161 486 416	0.051	
90	3	80	161 486 417	0.034	
110	4	100	161 486 418	0.058	

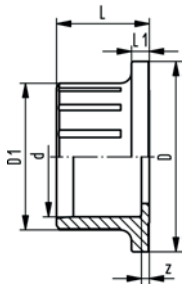
PF 2 31 800 999



SYGEF Standard Valve end 546 and 543 (G50) With fusion socket metric

Model:

- Material: PVDF



PF 2 35 540 999

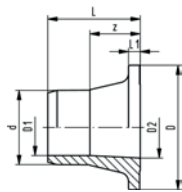
d [mm]	PN	Code	kg	D [mm]	D1 [mm]	L [mm]	L1 [mm]	z [mm]
16	16	175 483 025	0.013	38	23	19	4	5
20	16	175 483 026	0.013	38	27	20	4	5
25	16	175 483 027	0.014	44	33	22	5	6
32	16	175 483 028	0.032	53	41	24	5	6
40	16	175 483 029	0.052	65	51	26	5	7
50	16	175 483 030	0.094	77	62	29	6	8
63	16	175 483 031	0.180	99	77	34	7	8
75	16	175 483 032	0.324	125	92	49	9	20
90	16	175 483 033	0.527	150	110	57	10	24
110	16	175 483 034	0.909	180	134	69	11	30



SYGEF Standard Valve end 546 and 543 (G51) With socket fusion spigot metric

Model:

- Material: PVDF



PF 2 35 540 999

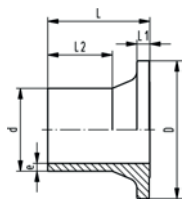
d [mm]	PN	Code	kg	D [mm]	D1 [mm]	D2 [mm]	L [mm]	L1 [mm]	L2 [mm]	z [mm]
16	16	175 483 036	0.014	38	10	16	27	4	13	14
20	16	175 483 037	0.018	38	14	16	32	4	14	18
25	16	175 483 038	0.025	44	19	20	37	5	16	21
32	16	175 483 039	0.047	53	24	26	40	5	18	22
40	16	175 483 040	0.065	65	31	33	43	5	20	23
50	16	175 483 041	0.112	77	39	41	51	6	23	28
63	16	175 483 042	0.210	99	49	51	60	7	27	33



SYGEF Standard Valve end 546 and 543 (G52) With butt fusion spigot IR-Plus® metric

Model:

- Material: PVDF



PF 2 35 540 999

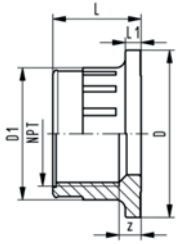
d [mm]	FM	PN	Code	kg	D [mm]	e [mm]	L [mm]	L1 [mm]	L2 [mm]
20	IR	16	175 483 048	0.016	38	1.9	37	4	25
25	IR	16	175 483 049	0.021	44	1.9	39	5	25
32	IR	16	175 483 050	0.035	53	2.4	40	5	25
40	IR	16	175 483 051	0.058	65	2.4	43	5	25
50	IR	16	175 483 052	0.101	77	3.0	51	6	25
63	IR	16	175 483 053	0.187	99	3.0	60	7	28
75	IR	16	175 483 054	0.348	125	3.6	65	9	41
90	IR	16	175 483 055	0.507	150	4.3	62	10	33
110	IR	16	175 483 056	0.820	180	5.3	69	11	37



SYGEF Standard Valve end 546 and 543 (G53) With threaded socket NPT

Model:

- Material: PVDF
- Connection to plastic threads only
- Do not use thread sealing pastes that are harmful to PVDF



PF 2 35 540 999

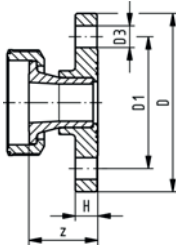
NPT [inch]	PN	Code	kg	D [mm]	D1 [mm]	D2 [mm]	L [mm]	L1 [mm]	z [mm]
3/8	10	175 483 058	0.010	38	26	14	20	4	6
1/2	10	175 483 059	0.017	38	33	16	21	4	4
3/4	10	175 483 060	0.022	44	39	20	23	5	5
1	10	175 483 061	0.040	53	47	26	28	5	6
1 1/4	10	175 483 062	0.070	65	55	33	31	5	8
1 1/2	10	175 483 063	0.100	77	65	41	34	6	11
2	10	175 483 064	0.180	99	77	51	41	7	17



SYGEF Standard Valve end 546 (G64) With fixed flange PVDF metric

Model:

- Material: PVDF
- Connecting dimension: ISO 7005 PN10, EN 1092 PN10, DIN 2501 PN10
- Combined jointing face: flat and serrated



PF 2 35 540 999

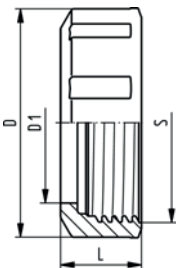
d [mm]	DN [mm]	PN	Code	kg	D [mm]	D1 [mm]	D3 [mm]	H [mm]	z [mm]
20	15	16	175 483 285	0.170	93	65	14	12	37
25	20	16	175 483 286	0.230	103	75	14	13	42
32	25	16	175 483 287	0.330	115	85	14	14	45
40	32	16	175 483 288	0.540	137	100	18	15	48
50	40	16	175 483 289	0.710	147	110	18	16	56
63	50	16	175 483 290	1.120	162	125	18	18	65



SYGEF Standard Union nut 546 and 543

Model:

- Material: PVDF



PF 2 35 538 999

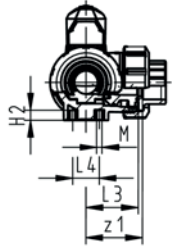
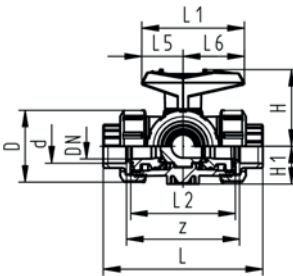
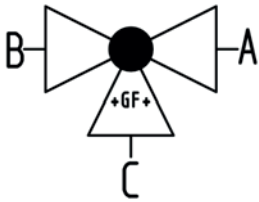
d [mm]	DN [mm]	Code	kg	D [mm]	D1 [mm]	L [mm]	S [mm]
16 - 20	10 - 15	175 482 937	0.022	50	34	19	42
25	20	175 482 938	0.033	58	39	20	48
32	25	175 482 939	0.053	68	47	24	58
40	32	175 482 940	0.099	84	57	27	71
50	40	175 482 941	0.095	94	65	30	84
63	50	175 482 942	0.200	120	79	36	106
75	65	175 482 943	0.463	124	79	36	106
90	80	175 482 944	0.728	166	94	48	135
110	100	175 482 945	1.117	238	137	60	198



SYGEF Standard 3-Way ball valve type 543 Horizontal/L-port With fusion sockets metric

Model:

- Material: PVDF
- For easy installation and removal (valve end and union nut are compatible with type 546)
- Ball seals PTFE
- Pneumatic or electric actuator available separately
- Angle of operation 360° without turn limiter
- Turn limiter 90° enclosed, in different positions usable as a clip-on ring
- Integrated stainless steel mounting inserts
- Delivery status A-C opened, see flow scheme



d [mm]	DN [mm]	PN	kv-value ($\Delta p=1$ bar) [l/min]	FPM Code	kg
16	10	10	50	175 543 011	0.281
20	15	10	75	175 543 012	0.290
25	20	10	150	175 543 013	0.461
32	25	10	280	175 543 014	0.654
40	32	10	480	175 543 015	1.199
50	40	10	620	175 543 016	1.647
63	50	10	1230	175 543 017	3.227

d [mm]	D [mm]	L [mm]	L1 [mm]	L2 [mm]	L3 [mm]	L4 [mm]	L5 [mm]	L6 [mm]	H [mm]	H1 [mm]	H2 [mm]	M	z [mm]	z1 [mm]	closest inch
16	50	110	77	72	36	25	32	45	57	28	8	6	82	41	3/8
20	50	112	77	72	36	25	32	45	57	28	8	6	82	41	1/2
25	58	129	97	85	43	25	39	58	67	32	8	6	97	49	3/4
32	68	146	97	98	49	25	39	58	73	36	8	6	110	55	1
40	84	170	128	118	59	45	54	74	90	45	9	8	132	66	1 1/4
50	97	193	128	135	68	45	54	74	97	51	9	8	151	76	1 1/2
63	124	244	152	176	88	45	66	87	116	65	9	8	188	94	2

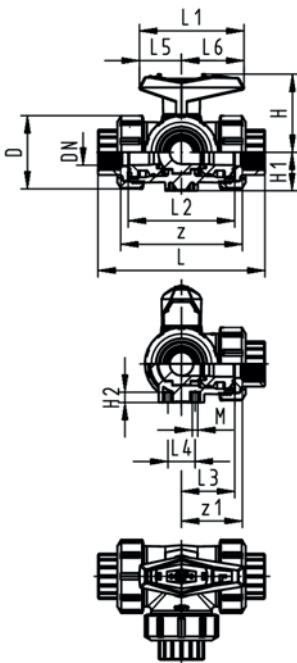
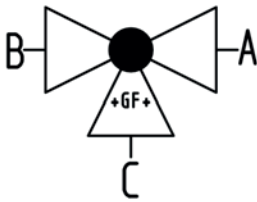
PF 2 35 735 801



SYGEF Standard 3-Way ball valve type 543 Horizontal/L-port With threaded sockets NPT

Model:

- Material: PVDF
- For easy installation and removal (valve end and union nut are compatible with type 546)
- Ball seals PTFE
- Pneumatic or electric actuator available separately
- Angle of operation 360° without turn limiter
- Turn limiter 90° enclosed, in different positions usable as a clip-on ring
- Integrated stainless steel mounting inserts
- Delivery status A-C opened, see flow scheme



NPT [inch]	DN [mm]	PN	kv-value ($\Delta p=1$ bar) [l/min]	FPM Code	kg
3/8	10	10	50	175 543 071	0.312
1/2	15	10	75	175 543 072	0.320
3/4	20	10	150	175 543 073	0.461
1	25	10	280	175 543 074	0.704
1 1/4	32	10	480	175 543 075	1.199
1 1/2	40	10	620	175 543 076	1.778
2	50	10	1230	175 543 077	3.462

NPT [inch]	D [mm]	L [mm]	L1 [mm]	L2 [mm]	L3 [mm]	L4 [mm]	L5 [mm]	L6 [mm]	H [mm]	H1 [mm]	H2 [mm]	M	z [mm]	z1 [mm]
3/8	50	112	77	72	36	25	32	45	57	28	8	6	86	43
1/2	50	114	77	72	36	25	32	45	57	28	8	6	80	40
3/4	58	131	97	85	43	25	39	58	67	32	8	6	95	48
1	68	154	97	98	49	25	39	58	73	36	8	6	110	55
1 1/4	84	180	128	118	59	45	54	74	90	45	9	8	132	66
1 1/2	97	203	128	135	68	45	54	74	97	51	9	8	157	79
2	124	258	152	176	88	45	66	87	116	65	9	8	210	105

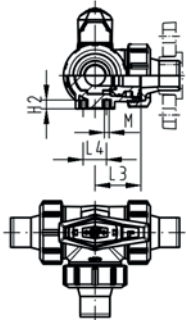
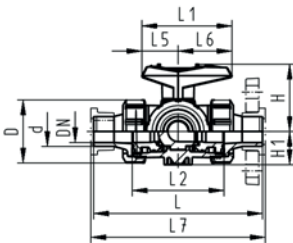
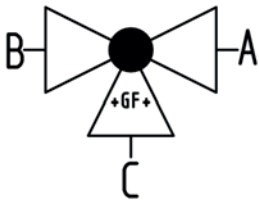
PF 2 35 735 803



SYGEF Standard 3-Way ball valve type 543 Horizontal/L-port With socket fusion spigots metric

Model:

- Material: PVDF
- For easy installation and removal (valve end and union nut are compatible with type 546)
- Ball seals PTFE
- Pneumatic or electric actuator available separately
- Angle of operation 360° without turn limiter
- Turn limiter 90° enclosed, in different positions usable as a clip-on ring
- Integrated stainless steel mounting inserts
- Delivery status A-C opened, see flow scheme



d [mm]	DN [mm]	PN	kv-value ($\Delta p=1$ bar) [l/min]	FPM Code	kg
16	10	10	50	175 543 031	0.320
20	15	10	75	175 543 032	0.296
25	20	10	150	175 543 033	0.480
32	25	10	280	175 543 034	0.735
40	32	10	480	175 543 035	1.226
50	40	10	620	175 543 036	1.859
63	50	10	1230	175 543 037	3.624

d [mm]	D [mm]	L [mm]	L1 [mm]	L2 [mm]	L3 [mm]	L4 [mm]	L5 [mm]	L6 [mm]	L7 [mm]	H [mm]	H1 [mm]	H2 [mm]	M	closest inch
16	50	126	77	72	36	25	32	45	133	57	28	8	6	3/8
20	50	136	77	72	36	25	32	45	144	57	28	8	6	1/2
25	58	159	97	85	43	25	39	58	170	67	32	8	6	3/4
32	68	178	97	98	49	25	39	58	191	73	36	8	6	1
40	84	204	128	118	59	45	54	74	223	90	45	9	8	1 1/4
50	97	237	128	135	68	45	54	74	256	97	51	9	8	1 1/2
63	124	296	152	176	88	45	66	87	319	116	65	9	8	2

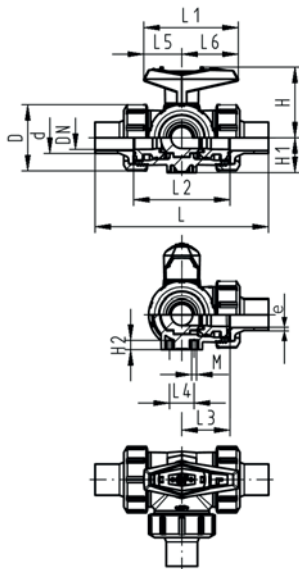
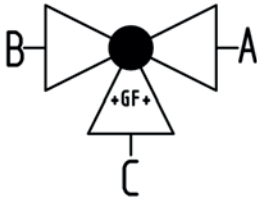
PF 2 35 735 801



SYGEF Standard 3-Way ball valve type 543 Horizontal/L-port With butt fusion spigots IR-Plus metric

Model:

- Material: PVDF
- For easy installation and removal (valve end and union nut are compatible with type 546)
- Ball seals PTFE
- Pneumatic or electric actuator available separately
- Angle of operation 360° without turn limiter
- Turn limiter 90° enclosed, in different positions usable as a clip-on ring
- Integrated stainless steel mounting inserts
- Delivery status A-C opened, see flow scheme



d [mm]	DN [mm]	PN	kv-value ($\Delta p=1$ bar) [l/min]	FPM Code	kg
20	15	10	75	175 543 052	0.332
25	20	10	150	175 543 053	0.480
32	25	10	280	175 543 054	0.735
40	32	10	480	175 543 055	1.226
50	40	10	620	175 543 056	1.859
63	50	10	1230	175 543 057	3.370

d [mm]	D [mm]	L [mm]	L1 [mm]	L2 [mm]	L3 [mm]	L4 [mm]	L5 [mm]	L6 [mm]	H [mm]	H1 [mm]	H2 [mm]	M [mm]	e [mm]	closest inch
20	50	146	77	72	36	25	32	45	57	28	8	6	1.9	1/2
25	58	163	97	85	43	25	39	58	67	32	8	6	1.9	3/4
32	68	178	97	98	49	25	39	58	73	36	8	6	2.4	1
40	84	204	128	118	59	45	54	74	90	45	9	8	2.4	1 1/4
50	97	237	128	135	68	45	54	74	97	51	9	8	3.0	1 1/2
63	124	296	152	176	88	45	66	87	116	65	9	8	3.0	2

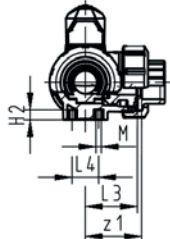
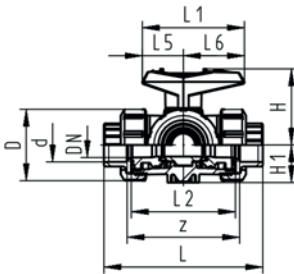
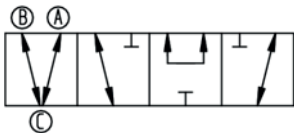
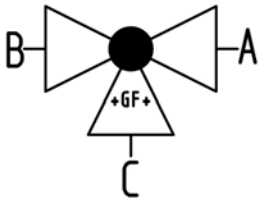
PF 2 35 735 801



SYGEF Standard 3-Way ball valve type 543 Horizontal/T-port With fusion sockets metric

Model:

- Material: PVDF
- For easy installation and removal (valve end and union nut are compatible with type 546)
- Ball seals PTFE
- Pneumatic or electric actuator available separately
- Angle of operation 360° without turn limiter
- Turn limiter 90° enclosed, in different positions usable as a clip-on ring
- Integrated stainless steel mounting inserts
- Delivery status A-B-C opened, see flow scheme



d [mm]	DN [mm]	PN	kv-value ($\Delta p=1$ bar) [l/min]	FPM Code	kg
16	10	10	140	175 543 111	0.283
20	15	10	200	175 543 112	0.288
25	20	10	470	175 543 113	0.417
32	25	10	793	175 543 114	0.644
40	32	10	1290	175 543 115	1.185
50	40	10	1910	175 543 116	1.613
63	50	10	3100	175 543 117	3.405

d [mm]	D [mm]	L [mm]	L1 [mm]	L2 [mm]	L3 [mm]	L4 [mm]	L5 [mm]	L6 [mm]	H [mm]	H1 [mm]	H2 [mm]	M	z [mm]	z1 [mm]	closest inch
16	50	110	77	72	36	25	32	45	57	28	8	6	82	41	3/8
20	50	112	77	72	36	25	32	45	57	28	8	6	82	41	1/2
25	58	129	97	85	43	25	39	58	67	32	8	6	97	49	3/4
32	68	146	97	98	49	25	39	58	73	36	8	6	110	55	1
40	84	170	128	118	59	45	54	74	90	45	9	8	132	66	1 1/4
50	97	193	128	135	68	45	54	74	97	51	9	8	151	76	1 1/2
63	124	244	152	176	88	45	66	87	116	65	9	8	188	94	2

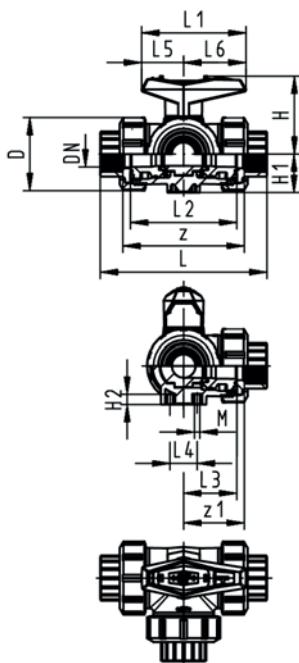
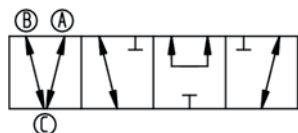
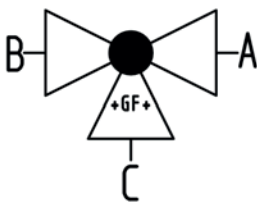
PF 2 35 735 801



SYGEF Standard 3-Way ball valve type 543 Horizontal/T-port With threaded sockets NPT

Model:

- Material: PVDF
- For easy installation and removal (valve end and union nut are compatible with type 546)
- Ball seals PTFE
- Pneumatic or electric actuator available separately
- Angle of operation 360° without turn limiter
- Turn limiter 90° enclosed, in different positions usable as a clip-on ring
- Integrated stainless steel mounting inserts
- Delivery status A-B-C opened, see flow scheme



NPT [inch]	DN [mm]	PN	kv-value ($\Delta p=1$ bar) [l/min]	FPM Code	kg
3/8	10	10	140	175 543 171	0.311
1/2	15	10	200	175 543 172	0.319
3/4	20	10	470	175 543 173	0.458
1	25	10	793	175 543 174	0.695
1 1/4	32	10	1290	175 543 175	1.185
1 1/2	40	10	1910	175 543 176	1.751
2	50	10	3100	175 543 177	3.405

NPT [inch]	D [mm]	L [mm]	L1 [mm]	L2 [mm]	L3 [mm]	L4 [mm]	L5 [mm]	L6 [mm]	H [mm]	H1 [mm]	H2 [mm]	M	z [mm]	z1 [mm]
3/8	50	112	77	72	36	25	32	45	57	28	8	6	86	43
1/2	50	114	77	72	36	25	32	45	57	28	8	6	80	40
3/4	58	131	97	85	43	25	39	58	67	32	8	6	95	48
1	68	154	97	98	49	25	39	58	73	36	8	6	110	55
1 1/4	84	180	128	118	59	45	54	74	90	45	9	8	132	66
1 1/2	97	203	128	135	68	45	54	74	97	51	9	8	157	79
2	124	258	152	176	88	45	66	87	116	65	9	8	210	105

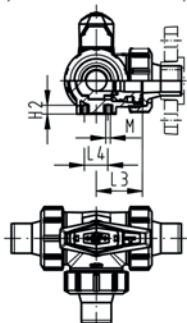
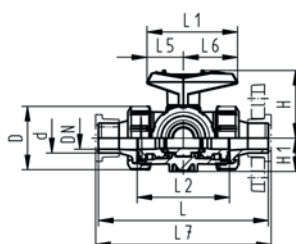
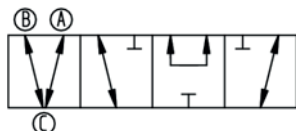
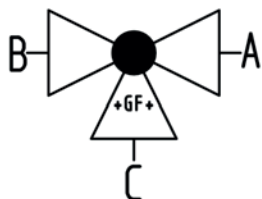
PF 2 35 735 803



SYGEF Standard 3-Way ball valve type 543 Horizontal/T-port With socket fusion spigots metric

Model:

- Material: PVDF
- For easy installation and removal (valve end and union nut are compatible with type 546)
- Ball seals PTFE
- Pneumatic or electric actuator available separately
- Angle of operation 360° without turn limiter
- Turn limiter 90° enclosed, in different positions usable as a clip-on ring
- Integrated stainless steel mounting inserts
- Delivery status A-B-C opened, see flow scheme



d [mm]	DN [mm]	PN	kv-value ($\Delta p=1$ bar) [l/min]	FPM Code	kg
16	10	10	140	175 543 131	0.287
20	15	10	200	175 543 132	0.330
25	20	10	470	175 543 133	0.478
32	25	10	793	175 543 134	0.726
40	32	10	1290	175 543 135	1.212
50	40	10	1910	175 543 136	1.832
63	50	10	3100	175 543 137	3.566

d [mm]	D [mm]	L [mm]	L1 [mm]	L2 [mm]	L3 [mm]	L4 [mm]	L5 [mm]	L6 [mm]	L7 [mm]	H [mm]	H1 [mm]	H2 [mm]	M	closest inch
16	50	126	77	72	36	25	32	45	133	57	28	8	6	3/8
20	50	136	77	72	36	25	32	45	144	57	28	8	6	1/2
25	58	159	97	85	43	25	39	58	170	67	32	8	6	3/4
32	68	178	97	98	49	25	39	58	191	73	36	8	6	1
40	84	204	128	118	59	45	54	74	223	90	45	9	8	1 1/4
50	97	237	128	135	68	45	54	74	256	97	51	9	8	1 1/2
63	124	296	152	176	88	45	66	87	319	116	65	9	8	2

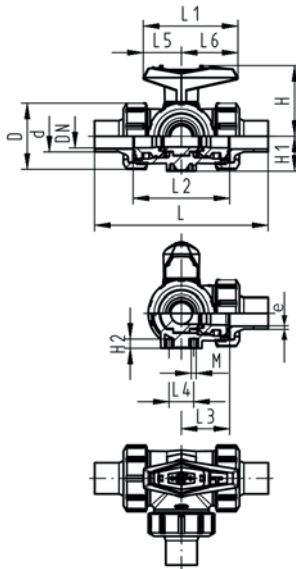
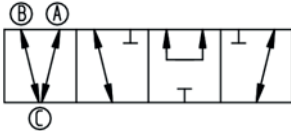
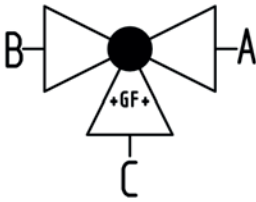
PF 2 35 735 801



SYGEF Standard 3-Way ball valve type 543 Horizontal/T-port With butt fusion spigots IR-Plus metric

Model:

- Material: PVDF
- For easy installation and removal (valve end and union nut are compatible with type 546)
- Ball seals PTFE
- Pneumatic or electric actuator available separately
- Angle of operation 360° without turn limiter
- Turn limiter 90° enclosed, in different positions usable as a clip-on ring
- Integrated stainless steel mounting inserts
- Delivery status A-B-C opened, see flow scheme



d [mm]	DN [mm]	PN	kv-value ($\Delta p=1$ bar) [l/min]	FPM Code	kg
20	15	10	200	175 543 152	0.321
25	20	10	470	175 543 153	0.478
32	25	10	793	175 543 154	0.655
40	32	10	1290	175 543 155	1.212
50	40	10	1910	175 543 156	1.832
63	50	10	3100	175 543 157	3.566

d [mm]	D [mm]	L [mm]	L1 [mm]	L2 [mm]	L3 [mm]	L4 [mm]	L5 [mm]	L6 [mm]	H [mm]	H1 [mm]	H2 [mm]	M [mm]	e [mm]	closest inch
20	50	146	77	72	36	25	32	45	57	28	8	6	1.9	1/2
25	58	163	97	85	43	25	39	58	67	32	8	6	1.9	3/4
32	68	178	97	98	49	25	39	58	73	36	8	6	2.4	1
40	84	204	128	118	59	45	54	74	90	45	9	8	2.4	1 1/4
50	97	237	128	135	68	45	54	74	97	51	9	8	3.0	1 1/2
63	124	296	152	176	88	45	66	87	116	65	9	8	3.0	2

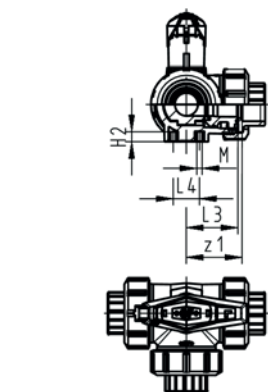
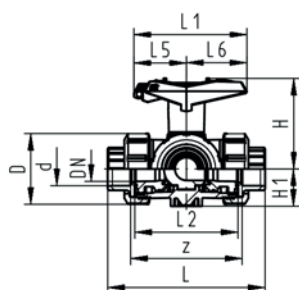
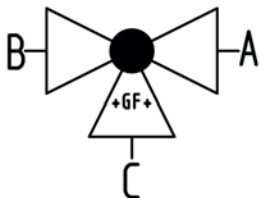
PF 2 35 735 801



SYGEF Standard 3-Way ball valve type 543 Horizontal/L-port With lockable handle With fusion sockets metric

Model:

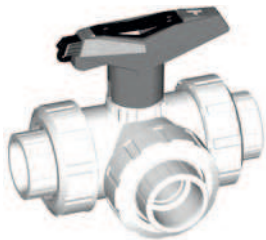
- Material: PVDF
- For easy installation and removal (valve end and union nut are compatible with type 546)
- Ball seals PTFE
- Pneumatic or electric actuator available separately
- Angle of operation 360° without turn limiter
- Turn limiter 90° enclosed, in different positions usable as a clip-on ring
- Integrated stainless steel mounting inserts
- Multifunctional lever red with ratched setting 45°, lockable
- Delivery status A-C opened, see flow scheme



d [mm]	DN [mm]	PN	kv-value ($\Delta p=1$ bar) [l/min]	FPM Code	kg
16	10	10	50	175 543 641	0.330
20	15	10	75	175 543 642	0.338
25	20	10	150	175 543 643	0.483
32	25	10	280	175 543 644	0.726
40	32	10	480	175 543 645	1.229
50	40	10	620	175 543 646	1.808
63	50	10	1230	175 543 647	3.502

d [mm]	D [mm]	L [mm]	L1 [mm]	L2 [mm]	L3 [mm]	L4 [mm]	L5 [mm]	L6 [mm]	H [mm]	H1 [mm]	H2 [mm]	M	z [mm]	z1 [mm]	closest inch
16	50	110	87	72	36	25	42	45	79	28	8	6	82	41	3/8
20	50	112	87	72	36	25	42	45	79	28	8	6	82	41	1/2
25	58	129	108	85	43	25	50	58	88	32	8	6	97	49	3/4
32	68	146	108	98	49	25	50	58	94	36	8	6	110	55	1
40	84	170	141	118	59	45	66	75	113	45	9	8	132	66	1 1/4
50	97	193	141	135	68	45	66	75	119	51	9	8	151	76	1 1/2
63	124	244	165	176	88	45	78	87	141	65	9	8	188	94	2

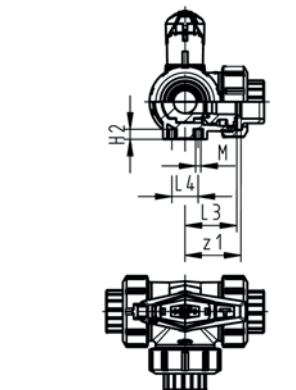
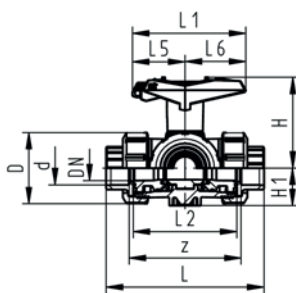
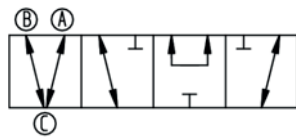
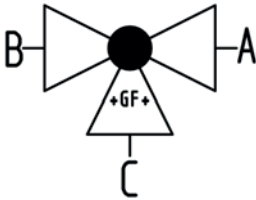
PF 2 35 735 801



SYGEF Standard 3-Way ball valve type 543 Horizontal/T-port With lockable handle With fusion sockets metric

Model:

- Material: PVDF
- For easy installation and removal (valve end and union nut are compatible with type 546)
- Ball seals PTFE
- Pneumatic or electric actuator available separately
- Angle of operation 360° without turn limiter
- Turn limiter 90° enclosed, in different positions usable as a clip-on ring
- Integrated stainless steel mounting inserts
- Multifunctional lever red with ratched setting 45°, lockable
- Delivery status A-B-C opened, see flow scheme



d [mm]	DN [mm]	PN	kv-value ($\Delta p=1$ bar) [l/min]	FPM Code	kg
16	10	10	140	175 543 651	0.329
20	15	10	200	175 543 652	0.337
25	20	10	470	175 543 653	0.480
32	25	10	793	175 543 654	0.717
40	32	10	1290	175 543 655	1.215
50	40	10	1910	175 543 656	1.781
63	50	10	3100	175 543 657	3.444

d [mm]	D [mm]	L [mm]	L1 [mm]	L2 [mm]	L3 [mm]	L4 [mm]	L5 [mm]	L6 [mm]	H [mm]	H1 [mm]	H2 [mm]	M	z [mm]	z1 [mm]	closest inch
16	50	110	87	72	36	25	42	45	79	28	8	6	82	41	3/8
20	50	112	87	72	36	25	42	45	79	28	8	6	82	41	1/2
25	58	129	108	85	43	25	50	58	88	32	8	6	97	49	3/4
32	68	146	108	98	49	25	50	58	94	36	8	6	110	55	1
40	84	170	141	118	59	45	66	75	113	45	9	8	132	66	1 1/4
50	97	193	141	135	68	45	66	75	119	51	9	8	151	76	1 1/2
63	124	244	165	176	88	45	78	87	141	65	9	8	188	94	2

PF 2 35 735 801

Spare parts ball valve type 543 horizontal



Central part L-port

Model:

- Every connecting pieces and union nuts are listed on product range industry valves
- Ball seals standard in PTFE
- Central part consisting of: body (1), union bush (2), ball (5), stem (6), ball-, backing-, body-, face- and stem seal (7-11), standard lever (12) and threaded inserts stainless steel (14)

d [mm]	Inch	DN [mm]	PVDF FPM Code	kg
16	3/8	10	175 483 602	0.000
20	1/2	15	175 483 602	0.000
25	3/4	20	175 483 603	0.000
32	1	25	175 483 604	0.000
40	1 1/4	32	175 483 605	0.000
50	1 1/2	40	175 483 606	0.000
63	2	50	175 483 607	0.000

PF 2 35 735 999



Central part T-port

Model:

- Ball seals standard in PTFE
- Central part consisting of: body (1), union bush (2), ball (5), stem (6), ball-, backing-, body-, face- and stem seal (7-11), standard lever (12) and threaded inserts stainless steel (14)

d [mm]	Inch	DN [mm]	PVDF FPM Code	kg
16	3/8	10	175 483 612	0.000
20	1/2	15	175 483 612	0.000
25	3/4	20	175 483 613	0.295
32	1	25	175 483 614	0.000
40	1 1/4	32	175 483 615	0.000
50	1 1/2	40	175 483 616	0.000
63	2	50	175 483 617	0.000

PF 2 35 735 999



Ball set L-port

Model:

- Ball seals standard in PTFE
- Ball set consisting of: lever (12), ball (5), stem (6), ball-, backing-, body- and stem seal (7-9,11)

d [mm]	Inch	DN [mm]	PVDF FPM Code	kg
16	3/8	10	175 483 642	0.032
20	1/2	15	175 483 642	0.032
25	3/4	20	175 483 643	0.061
32	1	25	175 483 644	0.088
40	1 1/4	32	175 483 645	0.152
50	1 1/2	40	175 483 646	0.237
63	2	50	175 483 647	0.403

PF 2 35 735 999



Ball set T-port

Model:

- Ball seals standard in PTFE
- Ball set consisting of: lever (12), ball (5), stem (6), ball-, backing-, body- and stem seal (7-9,11)

d [mm]	Inch	DN [mm]	PVDF FPM Code	kg
16	3/8	10	175 483 652	0.030
20	1/2	15	175 483 652	0.030
25	3/4	20	175 483 653	0.059
32	1	25	175 483 654	0.079
40	1 1/4	32	175 483 655	0.138
50	1 1/2	40	175 483 656	0.210
63	2	50	175 483 657	0.346

PF 2 35 735 999



Lever

d [mm]	Inch	DN [mm]	Standard lever L- port red Code	Standard lever L- port black Code	Standard lever T- port red Code
16	3/8	10	167 484 488	167 484 376	167 484 588
20	1/2	15	167 484 488	167 484 376	167 484 588
25	3/4	20	167 484 489	167 484 377	167 484 589
32	1	25	167 484 490	167 484 378	167 484 590
40	1 1/4	32	167 484 491	167 484 379	167 484 591
50	1 1/2	40	167 484 492	167 484 380	167 484 592
63	2	50	167 484 493	167 484 381	167 484 593

d [mm]	Inch	DN [mm]	Standard lever T- port black Code	Multifunctional- lever L-port red Code	Multifunctional- lever T-port red Code	kg
16	3/8	10	167 484 576	167 484 442	167 484 542	0.026
20	1/2	15	167 484 576	167 484 442	167 484 542	0.026
25	3/4	20	167 484 577	167 484 443	167 484 543	0.045
32	1	25	167 484 578	167 484 444	167 484 544	0.045
40	1 1/4	32	167 484 579	167 484 445	167 484 545	0.082
50	1 1/2	40	167 484 580	167 484 446	167 484 546	0.082
63	2	50	167 484 581	167 484 447	167 484 547	0.104

PF 2 31 001 999



Face seal

Model:

- Face seal no. 10

d [mm]	Inch	DN [mm]	FPM Code	kg
16	3/8	10	749 410 059	0.001
20	1/2	15	749 410 059	0.001
25	3/4	20	749 410 106	0.001
32	1	25	749 410 151	0.002

table continued next page

d [mm]	Inch	DN [mm]	FPM Code	kg
40	1 ¼	32	749 410 062	0.005
50	1 ½	40	749 410 003	0.001
63	2	50	749 410 231	0.008

PF 2 31 800 999



Seal set

Model:

- Seal set consisting of: backing-, body-, face- and stem seal (8-11)

d [mm]	Inch	DN [mm]	FPM Code	kg
16	¾	10	161 488 248	0.011
20	½	15	161 488 248	0.011
25	¾	20	161 488 249	0.011
32	1	25	161 488 250	0.014
40	1 ¼	32	161 488 251	0.014
50	1 ½	40	161 488 252	0.070
63	2	50	161 488 253	0.032

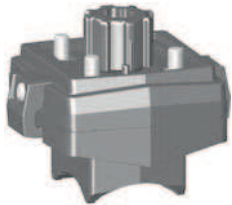
PF 2 31 001 999



Turn limiter 90°

d [mm]	Inch	DN [mm]	Code	kg
16	¾	10	167 482 479	0.001
20	½	15	167 482 479	0.001
25	¾	20	167 482 480	0.002
32	1	25	167 482 480	0.002
40	1 ¼	32	167 482 481	0.004
50	1 ½	40	167 482 481	0.004
63	2	50	167 482 482	0.004

PF 2 31 001 999



Assembly kit

Model:

- Intermediate element for ball valve type 543 horizontal and electric or pneumatic actuators EA21; PA11/21
- Including screws and position indicator for actuators

d [mm]	Inch [inch]	DN [mm]	Code	kg
16 - 20	¾ - ½	10 - 15	167 484 941	0.156
25 - 32	¾ - 1	20 - 25	167 484 942	0.188
40 - 50	1 ¼ - 1 ½	32 - 40	167 484 943	0.211
63	2	50	167 484 944	0.270

PF 3 39 980 999



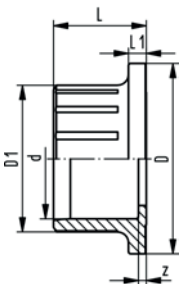
SYGEF Standard Valve end 546 and 543 (G50) With fusion socket metric

Model:

- Material: PVDF

d [mm]	PN	Code	kg	D [mm]	D1 [mm]	L [mm]	L1 [mm]	z [mm]
16	16	175 483 025	0.013	38	23	19	4	5
20	16	175 483 026	0.013	38	27	20	4	5
25	16	175 483 027	0.014	44	33	22	5	6
32	16	175 483 028	0.032	53	41	24	5	6
40	16	175 483 029	0.052	65	51	26	5	7
50	16	175 483 030	0.094	77	62	29	6	8
63	16	175 483 031	0.180	99	77	34	7	8
75	16	175 483 032	0.324	125	92	49	9	20
90	16	175 483 033	0.527	150	110	57	10	24
110	16	175 483 034	0.909	180	134	69	11	30

PF 2 35 540 999

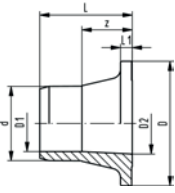




SYGEF Standard Valve end 546 and 543 (G51) With socket fusion spigot metric

Model:

- Material: PVDF



PF 2 35 540 999

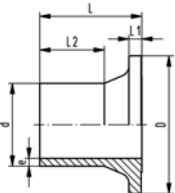
d [mm]	PN	Code	kg	D [mm]	D1 [mm]	D2 [mm]	L [mm]	L1 [mm]	L2 [mm]	z [mm]
16	16	175 483 036	0.014	38	10	16	27	4	13	14
20	16	175 483 037	0.018	38	14	16	32	4	14	18
25	16	175 483 038	0.025	44	19	20	37	5	16	21
32	16	175 483 039	0.047	53	24	26	40	5	18	22
40	16	175 483 040	0.065	65	31	33	43	5	20	23
50	16	175 483 041	0.112	77	39	41	51	6	23	28
63	16	175 483 042	0.210	99	49	51	60	7	27	33



SYGEF Standard Valve end 546 and 543 (G52) With butt fusion spigot IR-Plus® metric

Model:

- Material: PVDF



PF 2 35 540 999

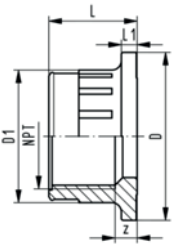
d [mm]	FM	PN	Code	kg	D [mm]	e [mm]	L [mm]	L1 [mm]	L2 [mm]
20	IR	16	175 483 048	0.016	38	1.9	37	4	25
25	IR	16	175 483 049	0.021	44	1.9	39	5	25
32	IR	16	175 483 050	0.035	53	2.4	40	5	25
40	IR	16	175 483 051	0.058	65	2.4	43	5	25
50	IR	16	175 483 052	0.101	77	3.0	51	6	25
63	IR	16	175 483 053	0.187	99	3.0	60	7	28
75	IR	16	175 483 054	0.348	125	3.6	65	9	41
90	IR	16	175 483 055	0.507	150	4.3	62	10	33
110	IR	16	175 483 056	0.820	180	5.3	69	11	37



SYGEF Standard Valve end 546 and 543 (G53) With threaded socket NPT

Model:

- Material: PVDF
- Connection to plastic threads only
- Do not use thread sealing pastes that are harmful to PVDF



PF 2 35 540 999

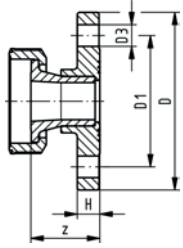
NPT [inch]	PN	Code	kg	D [mm]	D1 [mm]	D2 [mm]	L [mm]	L1 [mm]	z [mm]
3/8	10	175 483 058	0.010	38	26	14	20	4	6
1/2	10	175 483 059	0.017	38	33	16	21	4	4
3/4	10	175 483 060	0.022	44	39	20	23	5	5
1	10	175 483 061	0.040	53	47	26	28	5	6
1 1/4	10	175 483 062	0.070	65	55	33	31	5	8
1 1/2	10	175 483 063	0.100	77	65	41	34	6	11
2	10	175 483 064	0.180	99	77	51	41	7	17



SYGEF Standard Valve end 546 (G64) With fixed flange PVDF metric

Model:

- Material: PVDF
- Connecting dimension: ISO 7005 PN10, EN 1092 PN10, DIN 2501 PN10
- Combined jointing face: flat and serrated



d [mm]	DN [mm]	PN	Code	kg	D [mm]	D1 [mm]	D3 [mm]	H [mm]	z [mm]
20	15	16	175 483 285	0.170	93	65	14	12	37
25	20	16	175 483 286	0.230	103	75	14	13	42
32	25	16	175 483 287	0.330	115	85	14	14	45
40	32	16	175 483 288	0.540	137	100	18	15	48
50	40	16	175 483 289	0.710	147	110	18	16	56
63	50	16	175 483 290	1.120	162	125	18	18	65

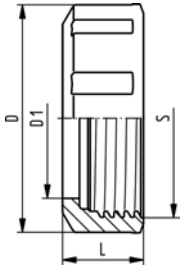
PF 2 35 540 999



SYGEF Standard Union nut 546 and 543

Model:

- Material: PVDF



d [mm]	DN [mm]	Code	kg	D [mm]	D1 [mm]	L [mm]	S [mm]
16 - 20	10 - 15	175 482 937	0.022	50	34	19	42
25	20	175 482 938	0.033	58	39	20	48
32	25	175 482 939	0.053	68	47	24	58
40	32	175 482 940	0.099	84	57	27	71
50	40	175 482 941	0.095	94	65	30	84
63	50	175 482 942	0.200	120	79	36	106
75	65	175 482 943	0.463	124	79	36	106
90	80	175 482 944	0.728	166	94	48	135
110	100	175 482 945	1.117	238	137	60	198

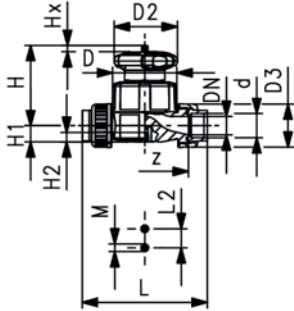
PF 2 35 538 999

Diaphragm valves new generation

SYGEF Standard

Diaphragm valve type 514

With fusion sockets metric



Model:

- Material: PVDF
- Double flow rate compared to predecessor
- One housing nut replaces four screws
- Handwheel with built-in locking mechanism
- For easy installation and removal
- Short overall length

Option:

- Individual configuration of the valve (see diagram)
- Self adjusting multifunctional module with integrated limit switches

d [mm]	DN [mm]	PN	kv-value ($\Delta p=1$ bar) [l/min]	PTFE/EPDM Code	PTFE/FPM Code	kg
20	15	10	125	185 514 032	185 514 052	0.358
25	20	10	271	185 514 033	185 514 053	0.546
32	25	10	481	185 514 034	185 514 054	0.969
40	32	10	759	185 514 035	185 514 055	1.683
50	40	10	1263	185 514 036	185 514 056	2.932
63	50	10	1728	185 514 037	185 514 057	2.995

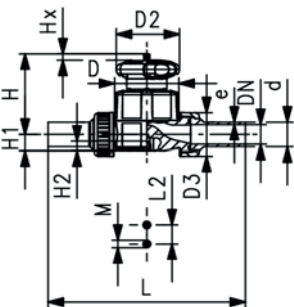
d [mm]	D [mm]	D2 [mm]	D3 [mm]	L [mm]	L2 [mm]	H [mm]	H1 [mm]	H2 [mm]	M	z [mm]	Lift = Hx [mm]	closest inch
20	65	65	43	128	25	73	14	12	M6	100	7	1/2
25	80	65	53	150	25	81	18	12	M6	118	10	3/4
32	88	87	60	162	25	107	22	12	M6	126	13	1
40	101	87	74	184	45	115	26	15	M8	144	15	1 1/4
50	117	135	82	210	45	148	32	15	M8	164	19	1 1/2
63	144	135	100	248	45	166	39	15	M8	194	25	2

PF 2 35 774 020

SYGEF Standard

Diaphragm valve type 514

With butt fusion spigots metric



Model:

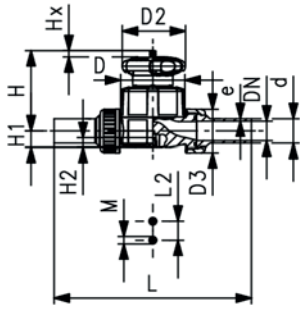
- Material: PVDF
- Double flow rate compared to predecessor
- One housing nut replaces four screws
- Handwheel with built-in locking mechanism
- For easy installation and removal
- Short overall length

Option:

- Individual configuration of the valve (see diagram)
- Self adjusting multifunctional module with integrated limit switches

d [mm]	DN [mm]	PN	kv-value ($\Delta p=1$ bar) [l/min]	PTFE/EPDM Code	PTFE/FPM Code	kg
20	15	10	125	185 514 132	185 514 152	0.500
25	20	10	271	185 514 133	185 514 153	0.700
32	25	10	481	185 514 134	185 514 154	1.400
40	32	10	759	185 514 135	185 514 155	1.780
50	40	10	1263	185 514 136	185 514 156	2.960
63	50	10	1728	185 514 137	185 514 157	4.190

table continued next page



d [mm]	D [mm]	D2 [mm]	D3 [mm]	L [mm]	L2 [mm]	H [mm]	H1 [mm]	H2 [mm]	M	Lift = Hx [mm]	e [mm]	closest inch
20	65	65	43	196	25	73	14	12	M6	7	1.9	½
25	80	65	53	221	25	81	18	12	M6	10	1.9	¾
32	88	87	60	234	25	107	22	12	M6	13	2.4	1
40	101	87	74	260	45	115	26	15	M8	15	2.4	1 ¼
50	117	135	82	284	45	148	32	15	M8	19	3.0	1 ½
63	144	135	100	321	45	166	39	15	M8	25	3.0	2

PF 2 35 774 020



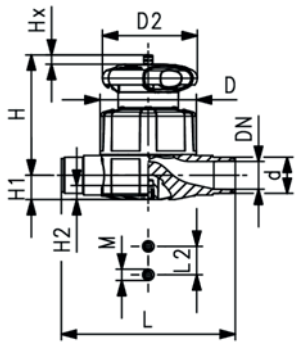
SYGEF Standard Diaphragm valve type 515 With socket fusion spigots metric

Model:

- Material: PVDF
- Double flow rate compared to predecessor
- One housing nut replaces four screws
- Handwheel with built-in locking mechanism
- Overall length EN 558

Option:

- Individual configuration of the valve (see diagram)
- Self adjusting multifunctional module with integrated limit switches



d [mm]	DN [mm]	PN	kv-value ($\Delta p=1$ bar) [l/min]	PTFE/EPDM Code	PTFE/FPM Code	kg
20	15	10	125	185 515 032	185 515 052	0.289
25	20	10	271	185 515 033	185 515 053	0.426
32	25	10	481	185 515 034	185 515 054	0.684
40	32	10	759	185 515 035	185 515 055	1.415
50	40	10	1263	185 515 036	185 515 056	1.652
63	50	10	1728	185 515 037	185 515 057	2.569

d [mm]	D [mm]	D2 [mm]	L [mm]	L2 [mm]	H [mm]	H1 [mm]	H2 [mm]	M	Lift = Hx [mm]	closest inch
20	65	65	124	25	73	14	12	M6	7	½
25	80	65	144	25	81	18	12	M6	10	¾
32	88	87	154	25	107	22	12	M6	13	1
40	101	87	174	45	115	26	15	M8	15	1 ¼
50	117	135	194	45	148	32	15	M8	19	1 ½
63	144	135	223	45	166	39	15	M8	25	2

PF 2 35 774 010



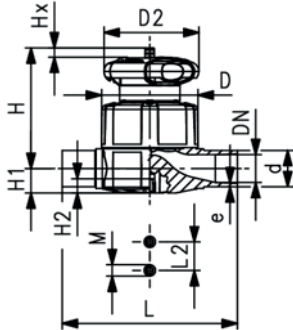
SYGEF Standard Diaphragm valve type 515 With butt fusion spigots metric

Model:

- Material: PVDF
- Double flow rate compared to predecessor
- One housing nut replaces four screws
- Handwheel with built-in locking mechanism
- Overall length EN 558

Option:

- Individual configuration of the valve (see diagram)
- Self adjusting multifunctional module with integrated limit switches



d [mm]	DN [mm]	PN	kv-value ($\Delta p=1$ bar) [l/min]	PTFE/EPDM Code	PTFE/FPM Code	kg	
20	15	10	125	185 515 132	185 515 152	0.280	
25	20	10	271	185 515 133	185 515 153	0.514	
32	25	10	481	185 515 134	185 515 154	0.677	
40	32	10	759	185 515 135	185 515 155	1.390	
50	40	10	1263	185 515 136	185 515 156	2.492	
63	50	10	1728	185 515 137	185 515 157	2.465	

d [mm]	D [mm]	D2 [mm]	L [mm]	L2 [mm]	H [mm]	H1 [mm]	H2 [mm]	M	Lift = Hx [mm]	e [mm]	closest inch	
20	65	65	124	25	73	14	12	M6	7	1.9	½	
25	80	65	144	25	81	18	12	M6	10	1.9	¾	
32	88	87	155	25	107	22	12	M6	13	2.4	1	
40	101	87	176	45	115	26	15	M8	15	2.4	1 ¼	
50	117	135	193	45	148	32	15	M8	19	3.0	1 ½	
63	144	135	223	45	166	39	15	M8	25	3.0	2	

PF 2 35 774 010



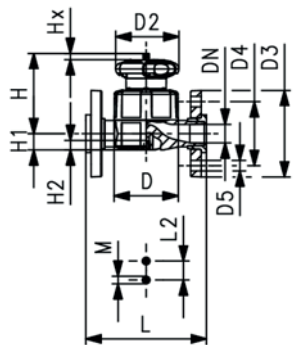
SYGEF Standard Diaphragm valve type 517 With backing flanges PP-V metric/BS

Model:

- Material: PVDF
- Double flow rate compared to predecessor
- One housing nut replaces four screws
- Handwheel with built-in locking mechanism
- Overall length EN 558
- Flat sealing faces/serrated
- Connecting dimension: ISO 7005 PN 10, EN 1092 PN 10, DIN 2501 PN 10, BS 4504 PN 10

Option:

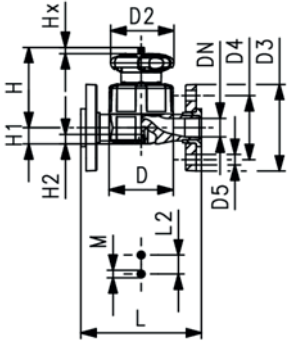
- Individual configuration of the valve (see diagram)
- Self adjusting multifunctional module with integrated limit switches



Inch	DN [mm]	PN	kv-value ($\Delta p=1$ bar) [l/min]	PTFE/EPDM Code	PTFE/FPM Code	kg	
½	15	10	125	185 517 132	185 517 152	0.586	
¾	20	10	271	185 517 133	185 517 153	0.796	
1	25	10	481	185 517 134	185 517 154	1.064	
1 ¼	32	10	759	185 517 135	185 517 155	2.001	
1 ½	40	10	1263	185 517 136	185 517 156	2.369	
2	50	10	1728	185 517 137	185 517 157	3.586	

Inch	D [mm]	D2 [mm]	D3 [mm]	D4 [mm]	D5 [mm]	L [mm]	L2 [mm]	H [mm]	H1 [mm]	H2 [mm]	M	Lift = Hx [mm]	
½	65	65	95	65	14	130	25	73	14	12	M6	7	
¾	80	65	105	75	14	150	25	81	18	12	M6	10	
1	88	87	115	85	14	160	25	107	22	12	M6	13	

table continued next page



Inch	D [mm]	D2 [mm]	D3 [mm]	D4 [mm]	D5 [mm]	L [mm]	L2 [mm]	H [mm]	H1 [mm]	H2 [mm]	M	Lift = Hx [mm]
1 ¼	101	87	140	100	18	180	45	115	26	15	M8	15
1 ½	117	135	150	110	18	200	45	148	32	15	M8	19
2	144	135	165	125	18	230	45	166	39	15	M8	25

PF 2 35 774 030



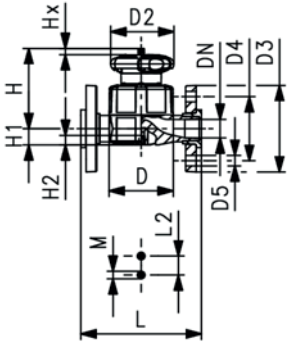
SYGEF Standard Diaphragm valve type 517 With backing flanges PP-V Inch ANSI

Model:

- Material: PVDF
- Double flow rate compared to predecessor
- One housing nut replaces four screws
- Handwheel with built-in locking mechanism
- Overall length EN 558
- Flat sealing faces/serrated
- Connecting dimension: ANSI/ASME B 16.5 class 150, ASTM D 4024, BS 1560, BS EN 1759

Option:

- Individual configuration of the valve (see diagram)
- Self adjusting multifunctional module with integrated limit switches



Inch	DN [mm]	PN	kv-value ($\Delta p=1$ bar) [l/min]	PTFE/EPDM Code	PTFE/FPM Code	kg
½	15	10	125	185 517 732	185 517 752	0.586
¾	20	10	271	185 517 733	185 517 753	0.796
1	25	10	481	185 517 734	185 517 754	1.050
1 ¼	32	10	759	185 517 735	185 517 755	2.001
1 ½	40	10	1263	185 517 736	185 517 756	3.147
2	50	10	1728	185 517 737	185 517 757	3.514

Inch	D [mm]	D2 [mm]	D3 [mm]	D4 [mm]	D5 [mm]	L [mm]	L2 [mm]	H [mm]	H1 [mm]	H2 [mm]	M	Lift = Hx [mm]
½	65	65	95	60	16	130	25	73	14	12	M6	7
¾	80	65	105	70	16	150	25	81	18	12	M6	10
1	88	87	115	79	16	160	25	107	22	12	M6	13
1 ¼	101	87	140	89	16	180	45	115	26	15	M8	15
1 ½	117	135	150	98	16	200	45	148	32	15	M8	19
2	144	135	165	121	19	230	45	166	39	15	M8	25

PF 2 35 774 030



SYGEF Standard Diaphragm valve type 317 With flanges metric

Model:

- Material: PVDF
- DN 15-65 with backing flange
- DN 80-150 with fixed flange
- Overall length according to EN 558
- Diaphragm PTFE with EPDM backing diaphragm (FDA compliant)

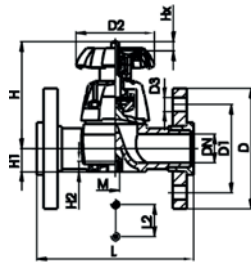
Option:

- Handwheel with built-in locking mechanism (standard version is nonlockable)

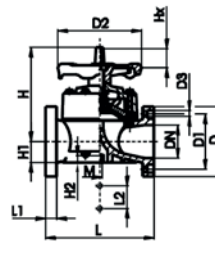
* DN80 and DN150 fixed flanges metric and Inch ANSI B16.5

d [mm]	DN [mm]	Inch	PN	kv-value ($\Delta p=1$ bar) [l/min]	PTFE with EPDM supp. diaphragm Code	kg
75	65	2 ½	10	992	175 317 438	5.821
* 90	80	3	10	1700	175 317 009	1.745
110	100	4	10	2700	175 317 010	15.456
* 160	150	6	7	6033	175 317 012	31.500

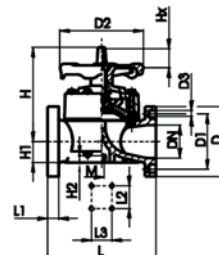
d [mm]	D [mm]	D1 [mm]	D2 [mm]	D3 [mm]	H [mm]	H1 [mm]	H2 [mm]	Lift = Hx [mm]	L [mm]	L1 [mm]	L2 [mm]	L3 [mm]	M	AL
75	185	145	152	18	201	46	15	30	290		70		M8	4
* 90	200	160	270	18	265	57	23	40	310	35	120		M12	8
110	225	180	270	18	302	68	23	50	350	35	120		M12	8
* 160	285	240	400	22	437	108	23	70	480	26	100	200	M12	8



DN 15-65

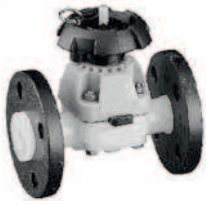


DN 80-100



DN 150

PF 2 35 193 002



SYGEF Standard Diaphragm valve type 317 With flanges Inch ANSI

Model:

- Material: PVDF
- DN 15-65 with backing flange
- DN 80-150 with fixed flange
- Overall length according to EN 558
- Diaphragm PTFE with EPDM backing diaphragm (FDA compliant)

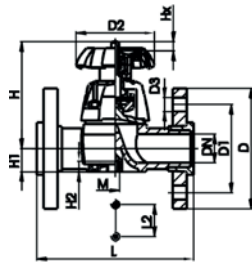
Option:

- Handwheel with built-in locking mechanism (standard version is nonlockable)

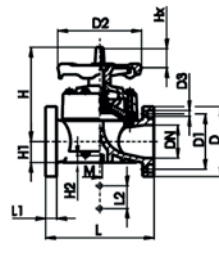
* DN80 and DN150 fixed flanges metric and Inch ANSI B16.5

d [mm]	DN [mm]	Inch	PN	kv-value ($\Delta p=1$ bar) [l/min]	PTFE with EPDM supp. diaphragm Code	kg
75	65	2 1/2	10	992	175 317 538	5.718
* 90	80	3	10	1700	175 317 009	1.745
110	100	4	10	2700	175 317 340	15.406
* 160	150	6	7	6033	175 317 012	31.500

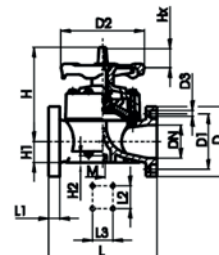
d [mm]	D [mm]	D1 [mm]	D2 [mm]	D3 [mm]	H [mm]	H1 [mm]	H2 [mm]	Lift = Hx [mm]	L [mm]	L1 [mm]	L2 [mm]	L3 [mm]	M	AL
75	185	140	152	18	201	46	15	30	290		70		M8	4
* 90	200	160	270	18	265	57	23	40	310	35	120		M12	8
110	225	191	270	18	304	69	23	50	350	35	120		M12	8
* 160	285	240	400	22	437	108	23	70	480	26	100	200	M12	8



DN 15-65



DN 80-100



DN 150

PF 2 35 193 003

Spare parts for hand-operated valves Type 514/515/517



Bonnet complete



d [mm]	Inch	DN [mm]	Standard configuration PN10 Code	For pressure tight housing PN10 Code	Standard configuration PN16 Code
20	½	15	198 151 742	198 151 752	198 151 842
25	¾	20	198 151 743	198 151 753	198 151 843
32	1	25	198 151 744	198 151 754	198 151 844
40	1 ¼	32	198 151 745	198 151 755	198 151 845
50	1 ½	40	198 151 746	198 151 756	198 151 846
63	2	50	198 151 747	198 151 757	198 151 847

d [mm]	Inch	DN [mm]	For pressure tight housing PN16 Code	kg
20	½	15	198 151 852	0.137
25	¾	20	198 151 853	0.177
32	1	25	198 151 854	0.366
40	1 ¼	32	198 151 855	0.390
50	1 ½	40	198 151 856	0.746
63	2	50	198 151 857	1.016

PF 2 31 780 998

Hand wheel

Model:

- Without position indicator



DN [mm]	Code	kg
15 - 20	198 204 162	0.024
25 - 32	198 204 164	0.056
40 - 50	198 104 166	0.190

PF 2 31 780 998

Position indicator



d [mm]	Inch	DN [mm]	Code	kg
20	¾	15	167 484 992	0.011
25	¾	20	167 484 993	0.011
32	1	25	167 484 994	0.013
40	1 ¼	32	167 484 995	0.012
50	1 ½	40	167 484 996	0.014
63	2	50	167 484 997	0.015

PF 2 31 780 998

Spindle assembly



Model:

- Incl. position indicator and compressor

DN-DN [mm]	Code	kg
15 - 20	198 204 327	0.049
25 - 32	198 204 328	0.135
40 - 50	198 204 329	0.251

PF 2 31 780 998

Seal set



Model:

- For manual valve - pressure tight housing
- Incl. position indicator

d [mm]	Inch	DN [mm]	EPDM Code	kg
20	¾	15	198 000 892	0.004
25	¾	20	198 000 893	0.004
32	1	25	198 000 894	0.007
40	1 ¼	32	198 000 895	0.006
50	1 ½	40	198 000 896	0.008
63	2	50	198 000 897	0.009

PF 2 31 780 998

Spare parts diaphragm

For type 514/515/517/519



d [mm]	Inch	DN [mm]	PTFE/EPDM Code	PTFE/EPDM HP Code	PTFE/FPM Code	kg
20	¾	15	747 502 012	747 502 032	747 503 012	0.013
25	¾	20	747 502 013	747 502 033	747 503 013	0.021
32	1	25	747 502 014	747 502 034	747 503 014	0.044
40	1 ¼	32	747 502 015	747 502 035	747 503 015	0.045
50	1 ½	40	747 502 016	747 502 036	747 503 016	0.069
63	2	50	747 502 017	747 502 037	747 503 017	0.118

PF 2 31 780 997

Spare parts for valve body type 514

Valve body with true union

Model:

- Without connection parts



PF 2 37 773 998

d [mm]	Inch	DN [mm]	PVDF Code	kg
20	½	15	175 483 682	0.145
25	¾	20	175 483 683	0.231
32	1	25	175 483 684	0.310
40	1 ¼	32	175 483 685	0.492
50	1 ½	40	175 483 686	0.737
63	2	50	175 483 687	1.301

Union end



PF 2 35 191 999

d [mm]	Inch	DN [mm]	PVDF metric Code	kg
20	½	15	735 600 106	0.006
25	¾	20	735 600 107	0.022
32	1	25	735 600 108	0.022
40	1 ¼	32	735 600 109	0.055
50	1 ½	40	735 600 110	0.054
63	2	50	735 600 111	0.079

Union nut



PF 2 35 191 999

d [mm]	Inch	DN [mm]	PVDF Code	kg
20	½	15	735 690 406	0.021
25	¾	20	735 690 407	0.032
32	1	25	735 690 408	0.044
40	1 ¼	32	735 690 409	0.065
50	1 ½	40	735 690 410	0.093
63	2	50	735 690 411	0.143

O-ring



PF 2 31 156 999

d [mm]	Inch	DN [mm]	FPM for PVDF standard Code	kg
20	½	15	749 410 005	0.001
25	¾	20	749 410 006	0.001
32	1	25	749 410 120	0.002
40	1 ¼	32	749 410 062	0.005
50	1 ½	40	749 410 172	0.003
63	2	50	749 410 054	0.005

Spare parts for valve body type 515

Valve body with spigot ends

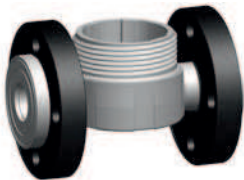


d [mm]	Inch	DN [mm]	PVDF socket fu- sion spigot Code	PVDF butt fusion spigot IR Code	kg
20	1/2	15	175 483 692	175 483 742	0.138
25	3/4	20	175 483 693	175 483 743	0.214
32	1	25	175 483 694	175 483 744	0.292
40	1 1/4	32	175 483 695	175 483 745	0.449
50	1 1/2	40	175 483 696	175 483 746	0.703
63	2	50	175 483 697	175 483 747	1.231

PF 2 37 773 998

Spare parts for valve body type 517

Valve body with flange connection



d [mm]	Inch	DN [mm]	PVDF JIS Code	kg
20	1/2	15	175 483 532	0.694
25	3/4	20	175 483 533	
32	1	25	175 483 534	
40	1 1/4	32	175 483 535	
50	1 1/2	40	175 483 536	
63	2	50	175 483 537	

PF 2 35 774 998

Flange adaptor flat



d [mm]	Inch	DN [mm]	PVDF metric Code	kg
20	1/2	15	735 790 206	0.019
25	3/4	20	735 790 207	0.037
32	1	25	735 790 208	0.047
40	1 1/4	32	735 790 209	0.073
50	1 1/2	40	735 790 210	0.096
63	2	50	735 790 211	0.142

PF 2 35 191 003

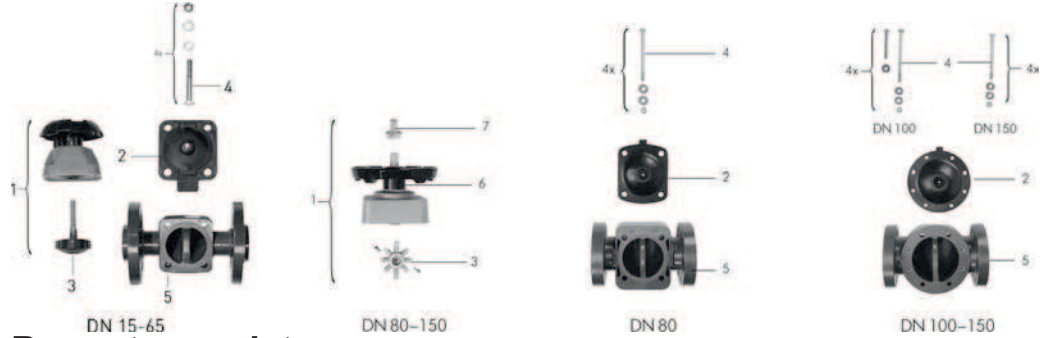


Flange

d [mm]	Inch	DN [mm]	PP-V metric Code	PP-V ASTM Code	PP-ST metric Code	PP-ST ASTM Code	kg
20	½	15	727 700 406	727 701 406	727 700 206	727 701 206	0.213
25	¾	20	727 700 407	727 701 407	727 700 207	727 701 207	0.260
32	1	25	727 700 408	727 701 408	727 700 208	727 701 208	0.416
40	1 ¼	32	727 700 409	727 701 409	727 700 209	727 701 209	0.730
50	1 ½	40	727 700 410	727 701 410	727 700 210	727 701 210	0.809
63	2	50	727 700 411	727 701 411	727 700 211	727 701 211	0.866

PF 2 34 238 020

Spare parts diaphragm valve type 317



Bonnet complete

Model:

- Without diaphragm (1, 3)



PF 2 31 158 997

d [mm]	Inch	DN [mm]	PTFE diaphragm Code	kg
75	2 ½	65	161 484 638	1.526
90	3	80	161 482 516	3.967
110	4	100	161 482 517	5.700
160	6	150	161 482 906	14.040

Diaphragm (2)



PF 2 37 206 999

d [mm]	Inch	DN [mm]	PTFE/EPDM Code	kg
75	2 ½	65	161 480 240	0.252
90	3	80	161 480 241	0.394
110	4	100	161 480 242	0.637
160	6	150	161 482 760	1.421

Pressure spindle (3)



PF 2 31 158 998

d [mm]	Inch	DN [mm]	PTFE diaphragm Code	kg
75	2 ½	65	161 484 702	0.134
90	3	80	161 483 020	0.335
110	4	100	161 483 021	0.495
125	6	150	161 483 023	4.500



Fastening set (4)

Model:

- * with support plate

d [mm]	Inch	DN [mm]	for PP PVDF * Code

PF 2 34 236 999



Valve body with backing/fixed flange (5)

Inch	d [mm]	DN [mm]	PVDF metric Code	PVDF ANSI Code	PVDF JIS Code	kg
2 1/2	75	65	175 482 981	-	175 481 949	3.103
3	90	80	175 480 189	-	175 480 737	4.745
4	110	100	175 480 190	175 480 748	175 480 738	7.466
6	160	150	175 481 002	175 481 002	175 481 002	14.733

PF 2 35 193 999



O-ring seal (6)

d [mm]	Inch	DN [mm]	EPDM Code	NBR Code	kg
90	3	80	-	745 410 107	0.001
110	4	100	-	745 410 107	0.001
160	6	150	748 410 212	-	

PF 2 31 158 999

Indicator cap (7)

d [mm]	Inch	DN [mm]	PVC-U SAN Code	kg
90	3	80	161 481 759	0.032
110	4	100	161 481 760	0.035
160	6	150	161 482 744	0.010

PF 2 31 158 999

Butterfly valves

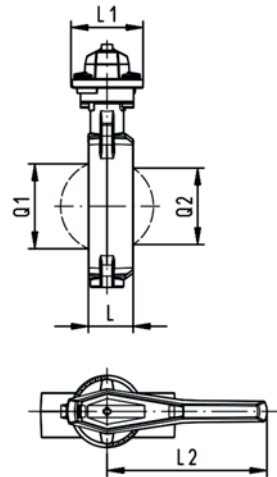
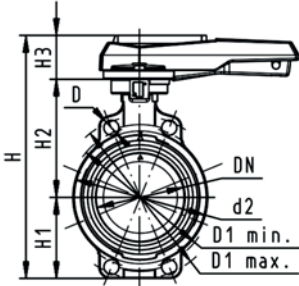
SYGEF Standard Butterfly valve type 567 Hand lever with ratchet settings



Model:

- Material: PVDF
- Connecting dimension: ISO 7005 PN 10, EN 1092 PN 10, DIN 2501 PN 10, ANSI/ASME B 16.5 Class 150, BS 1560: 1989, BS 4504, JIS B 2220
- Overall length according to EN 558, ISO 5752
- We recommend for the dimensions DN250 and DN300 only 6 bar maximum system pressure for the hand lever version

Model with PTFE seal in DN250 and DN300 available from June 2009



d [mm]	DN [mm]	Inch	PN	kv-value ($\Delta p=1$ bar) [l/min]	FPM Code	PTFE Code	kg
63	50	2	10	1470	175 567 002	175 567 202	1.080
75	65	2 ½	10	2200	175 567 003	175 567 203	1.192
90	80	3	10	3000	175 567 004	175 567 204	1.992
110	100	4	10	6500	175 567 005	175 567 205	2.072
140	125	5	10	11500	175 567 006	175 567 206	2.667
160	150	6	10	16600	175 567 007	175 567 207	3.887
225	200	8	10	39600	175 567 008	175 567 208	7.242
280	250	10	10	55200	175 567 009	175 567 209	14.623
315	300	12	10	80000	175 567 010	175 567 210	19.513

d [mm]	D [mm]	D1 min. [mm]	D1 max. [mm]	d2 [mm]	H [mm]	H1 [mm]	H2 [mm]	H3 [mm]	L [mm]	L1 [mm]	L2 [mm]	Q1 [mm]	Q2 [mm]
63	19	120.0	125.0	104	264	77	134	54	45	106	205	40	
75	19	139.7	145.0	115	277	83	140	54	46	106	205	54	35
90	19	150.0	160.0	131	289	89	146	54	49	106	205	67	50
110	19	175.0	190.5	161	325	104	167	55	56	106	255	88	74
140	23	210.0	215.9	187	352	117	181	55	64	106	255	113	97
160	24	241.3	241.3	215	373	130	189	55	72	106	255	139	123
225	23	290.0	295.0	267	435	158	210	67	73	140	408	178	169
280	25	353.0	362.0	329	554	205	264	85	113	149	408	210	207
315	25	400.0	432.0	379	598	228	285	85	113	149	408	256	253

PF 2 35 767 001

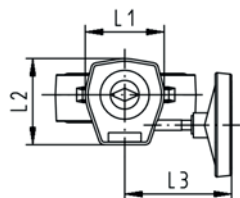
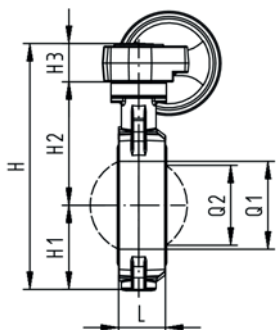
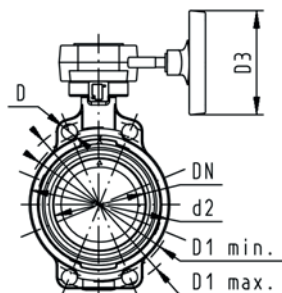


SYGEF Standard Butterfly valve type 567 Reduction gear with handwheel

Model:

- Material: PVDF
- Connecting dimension: ISO 7005 PN 10, EN 1092 PN 10, DIN 2501 PN 10, ANSI/ASME B 16.5 Class 150, BS 1560: 1989, BS 4504, JIS B 2220
- Overall length according to EN 558, ISO 5752

Model with PTFE seal in DN250 and DN300 available from June 2009



d [mm]	DN [mm]	Inch	PN	kv-value ($\Delta p=1$ bar) [l/min]	FPM Code	PTFE Code	kg
63	50	2	10	1470	175 567 022	175 567 222	3.118
75	65	2 ½	10	2200	175 567 023	175 567 223	3.230
90	80	3	10	3000	175 567 024	175 567 224	3.534
110	100	4	10	6500	175 567 025	175 567 225	4.062
140	125	5	10	11500	175 567 026	175 567 226	4.657
160	150	6	10	16600	175 567 027	175 567 227	5.877
225	200	8	10	39600	175 567 028	175 567 228	7.810
280	250	10	10	55200	175 567 029	175 567 229	15.410
315	300	12	10	80000	175 567 030	175 567 230	20.763

d [mm]	D [mm]	D1 min. [mm]	D1 max. [mm]	d2 [mm]	D3 [mm]	H [mm]	H1 [mm]	H2 [mm]	H3 [mm]	L [mm]	L1 [mm]	L2 [mm]	L3 [mm]	Q1 [mm]
63	19	120.0	125.0	104	150	278	77	134	50	45	110	120	155	40
75	19	139.7	145.0	115	150	291	83	140	50	46	110	120	155	54
90	19	150.0	160.0	131	150	303	89	146	50	49	110	120	155	67
110	19	175.0	190.5	160	150	339	104	167	50	56	110	120	155	88
140	23	210.0	215.9	187	150	365	117	181	50	64	110	120	155	113
160	24	241.3	241.3	215	150	387	130	189	50	72	110	120	155	139
225	23	290.0	295.0	267	150	436	158	210	50	73	110	120	155	178
280	25	353.0	362.0	329	200	529	205	264	55	113	130	140	200	210
315	25	400.0	432.0	379	200	573	228	285	55	113	130	140	200	256

d [mm]	Q2 [mm]
63	
75	35
90	50
110	74
140	97
160	123
225	169
280	207
315	253

PF 2 35 767 001

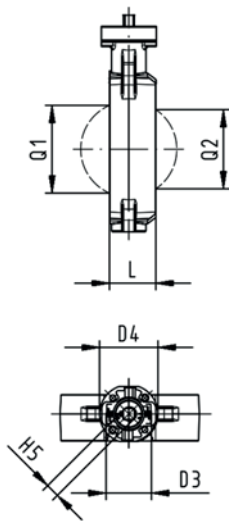
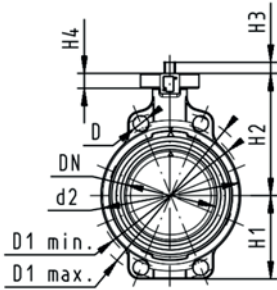


SYGEF Standard Butterfly valve type 567 Bare shaft

Model:

- Material: PVDF
- Connecting dimension: ISO 7005 PN 10, EN 1092 PN 10, DIN 2501 PN 10, ANSI/ASME B 16.5 Class 150, BS 1560: 1989, BS 4504, JIS B 2220
- Overall length according to EN 558, ISO 5752
- Interface F07 for the dimensions DN50-200 according to DIN/ISO 5211
- Interface F10 for the dimensions DN250-300 according to DIN/ISO 5211

Model with PTFE seal in DN250 and DN300 available from June 2009



d [mm]	DN [mm]	Inch	PN	kv-value ($\Delta p=1$ bar) [l/min]	FPM Code	PTFE Code	kg
63	50	2	10	1470	175 567 822	175 567 842	0.858
75	65	2 ½	10	2200	175 567 823	175 567 843	0.970
90	80	3	10	3000	175 567 824	175 567 844	1.150
110	100	4	10	6500	175 567 825	175 567 845	1.802
140	125	5	10	11500	175 567 826	175 567 846	2.397
160	150	6	10	16600	175 567 827	175 567 847	3.617
225	200	8	10	39600	175 567 828	175 567 848	5.738
280	250	10	10	55200	175 567 829	175 567 849	12.673
315	300	12	10	80000	175 567 830	175 567 850	17.563

d [mm]	D [mm]	D1 min. [mm]	D1 max. [mm]	d2 [mm]	D3 [mm]	D4 [mm]	H [mm]	H1 [mm]	H2 [mm]	H3 [mm]	H4 [mm]	H5 [mm]	L [mm]	Q1 [mm]
63	19	120.0	125.0	104	70	90	222	77	134	27	23	11	45	40
75	19	139.7	145.0	115	70	90	235	83	140	27	23	11	46	54
90	19	150.0	160.0	131	70	90	247	89	146	27	23	11	49	67
110	19	175.0	190.5	161	70	90	287	104	167	16	23	14	56	88
140	23	210.0	215.9	187	70	90	313	117	181	16	23	14	64	113
160	24	241.3	241.3	215	70	90	335	130	189	19	23	17	72	139
225	23	290.0	295.0	267	70	90	387	158	210	19	23	17	73	178
280	25	353.0	362.0	329	102	125	509	205	264	40	23	22	113	210
315	25	400.0	432.0	379	102	125	553	228	285	40	23	22	113	256

d [mm]	Q2 [mm]
63	
75	35
90	50
110	74
140	97
160	123
225	169
280	207
315	253

PF 2 35 566 998

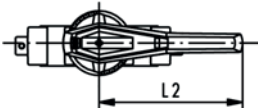
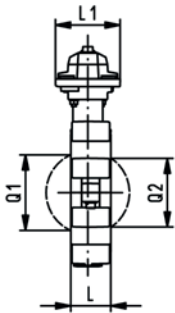
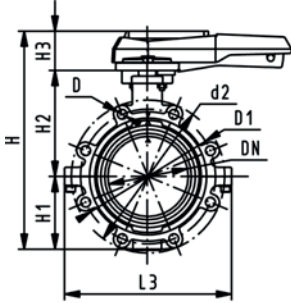


SYGEF Standard Lugstyle butterfly valve type 568 Hand lever with ratchet settings

Model:

- Material: PVDF
- Outer body in GGG-40.3 epoxy-coated
- Connecting dimension: ISO 7005 PN10, EN 1092 PN10, DIN 2501 PN10
- Overall length according to EN 558, ISO 5752

Model with PTFE seal in DN50 - DN80 on request



d [mm]	DN [mm]	Inch	PN	kv-value ($\Delta p=1$ bar) [l/min]	FPM Code	PTFE Code	kg
63	50	2	10	1470	175 568 002	175 568 202	3.170
75	65	2 1/2	10	2200	175 568 003	175 568 203	3.533
90	80	3	10	3000	175 568 004	175 568 204	4.590
110	100	4	10	6500	175 568 005	175 568 205	6.170
140	125	5	10	11500	175 568 006	175 568 206	8.151
160	150	6	10	16600	175 568 007	175 568 207	10.370
225	200	8	10	39600	175 568 008	175 568 208	16.521

d [mm]	d2 [mm]	D	D1 [mm]	H [mm]	H1 [mm]	H2 [mm]	H3 [mm]	L [mm]	L1 [mm]	L2 [mm]	L3 [mm]	Q1 [mm]	Q2 [mm]
63	150	M16	125	265	77	134	54	45	106	205	150	40	
75	170	M16	145	277	83	140	54	46	106	205	160	54	35
90	184	M16	160	289	89	146	54	49	106	205	205	67	50
110	216	M16	180	326	104	167	55	56	106	255	244	88	74
140	246	M16	210	353	117	181	55	64	106	255	272	113	97
160	273	M20	240	374	130	189	55	72	106	255	297	139	123
225	334	M20	295	435	158	210	67	73	140	408	360	178	169

PF 2 35 768 001

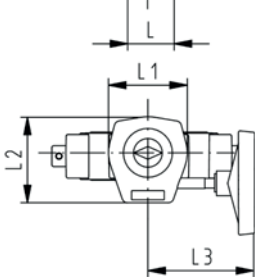
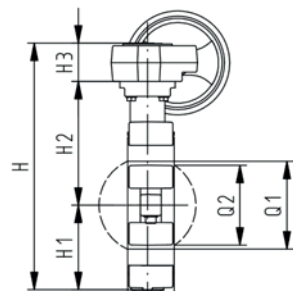
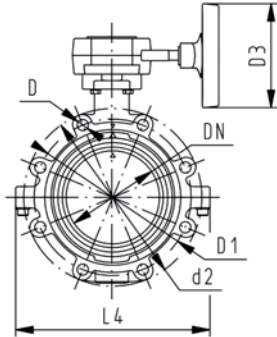


SYGEF Standard Lugstyle butterfly valve type 568 Reduction gear with handwheel

Model:

- Material: PVDF
- Outer body in GGG-40.3 epoxy-coated
- Connecting dimension: ISO 7005 PN10, EN 1092 PN10, DIN 2501 PN10
- Overall length according to EN 558, ISO 5752

Model with PTFE seal in DN50 - DN80 on request



d [mm]	DN [mm]	Inch	PN	kv-value ($\Delta p=1$ bar) [l/min]	FPM Code	PTFE Code	kg
63	50	2	10	1470	175 568 022	175 568 222	5.208
75	65	2 ½	10	2200	175 568 023	175 568 223	5.571
90	80	3	10	3000	175 568 024	175 568 224	6.628
110	100	4	10	6500	175 568 025	175 568 225	8.160
140	125	5	10	11500	175 568 026	175 568 226	10.141
160	150	6	10	16600	175 568 027	175 568 227	12.360
225	200	8	10	39600	175 568 028	175 568 228	17.974

d [mm]	d2 [mm]	D	D1 [mm]	D3 [mm]	H [mm]	H1 [mm]	H2 [mm]	H3 [mm]	L [mm]	L1 [mm]	L2 [mm]	L3 [mm]	L4 [mm]	Q1 [mm]
63	150	M16	125	150	279	77	134	50	45	110	120	155	150	40
75	170	M16	145	150	291	83	140	50	46	110	120	155	160	54
90	184	M16	160	150	303	89	146	50	49	110	120	155	205	67
110	216	M16	180	150	339	104	167	50	56	110	120	155	244	88
140	246	M16	210	150	366	117	181	50	64	110	120	155	272	113
160	273	M20	240	150	387	130	189	50	72	110	120	155	297	139
225	334	M20	295	150	436	158	210	50	73	110	120	155	360	178

d [mm]	Q2 [mm]
63	
75	35
90	50
110	74
140	97
160	123
225	169

PF 2 35 768 001

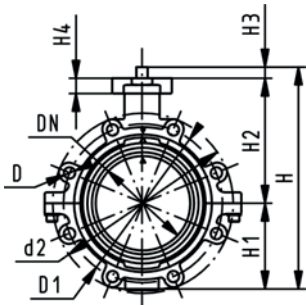


SYGEF Standard Lugstyle butterfly valve type 568 Bare shaft

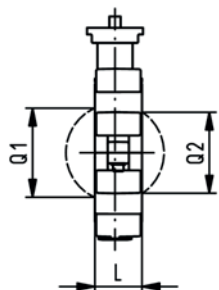
Model:

- Material: PVDF
- Outer body in GGG-40.3 epoxy-coated
- Connecting dimension: ISO 7005 PN10, EN 1092 PN10, DIN 2501 PN10
- Overall length according to EN 558, ISO 5752
- Interface F07 according to DIN/ISO 5211

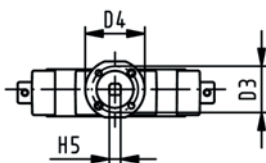
Model with PTFE seal in DN50 - DN80 on request



d [mm]	DN [mm]	Inch	PN	kv-value ($\Delta p=1$ bar) [l/min]	FPM Code	PTFE Code	kg
63	50	2	10	1470	175 568 822	175 568 842	2.948
75	65	2 ½	10	2200	175 568 823	175 568 843	3.311
90	80	3	10	3000	175 568 824	175 568 844	4.368
110	100	4	10	6500	175 568 825	175 568 845	5.900
140	125	5	10	11500	175 568 826	175 568 846	7.881
160	150	6	10	16600	175 568 827	175 568 847	10.100
225	200	8	10	39600	175 568 828	175 568 848	15.714



d [mm]	d2 [mm]	D	D1 [mm]	D3 [mm]	D4 [mm]	H [mm]	H1 [mm]	H2 [mm]	H3 [mm]	H4 [mm]	L [mm]	Q1 [mm]	Q2 [mm]
63	150	M16	125	70	90	222	77	134	27	23	45	40	
75	170	M16	145	70	90	235	83	140	27	23	46	54	35
90	184	M16	160	70	90	247	89	146	27	23	49	67	50
110	216	M16	180	70	90	287	104	167	16	23	56	88	74
140	246	M16	210	70	90	313	117	181	16	23	64	113	97
160	273	M20	240	70	90	335	130	189	19	23	72	139	123
225	334	M20	295	70	90	387	158	210	19	23	73	178	169



PF 2 35 768 998

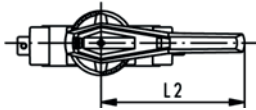
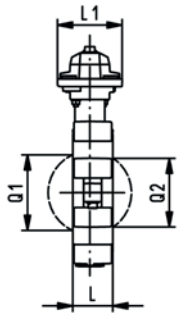
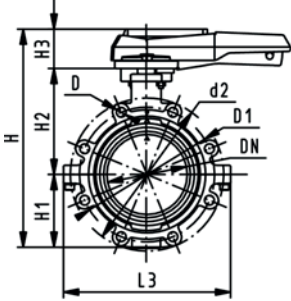


SYGEF Standard Lugstyle butterfly valve 568 ANSI Hand lever with ratchet settings

Model:

- Material: PVDF
- Outer body in GGG-40.3 epoxy-coated
- Connecting dimension ANSI/ASME B 16.5 Class 150
- Overall length according to EN 558, ISO 5752

Model with PTFE seal in DN50 - DN80 on request



Inch	d [mm]	DN [mm]	PN	kv-value ($\Delta p=1$ bar) [l/min]	FPM Code	PTFE Code	kg
2	63	50	10	1470	175 568 102	175 568 302	3.170
2 1/2	75	65	10	2200	175 568 103	175 568 303	3.533
3	90	80	10	3000	175 568 104	175 568 304	3.961
4	110	100	10	6500	175 568 105	175 568 305	6.170
5	140	125	10	11500	175 568 106	175 568 306	8.151
6	160	150	10	16600	175 568 107	175 568 307	10.370
8	225	200	10	39600	175 568 108	175 568 308	16.521

Inch	d2 [mm]	D	D1 [mm]	H [mm]	H1 [mm]	H2 [mm]	H3 [mm]	L [mm]	L1 [mm]	L2 [mm]	L3 [mm]	Q1 [mm]	Q2 [mm]
2	150	UNC 5/8	121	265	77	134	54	45	106	205	150	40	
2 1/2	170	UNC 5/8	138	277	83	140	54	46	106	205	160	54	35
3	177	UNC 5/8	152	289	89	146	54	49	106	205	175	67	50
4	216	UNC 5/8	191	326	104	167	55	56	106	255	244	88	74
5	246	UNC 3/4	216	353	117	181	55	64	106	255	272	113	97
6	273	UNC 3/4	241	374	130	189	55	72	106	255	297	139	123
8	334	UNC 3/4	298	435	158	210	67	73	140	408	360	178	169

PF 2 35 768 001

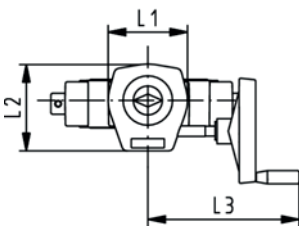
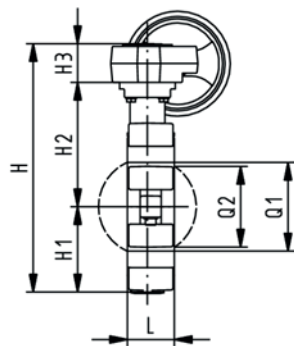
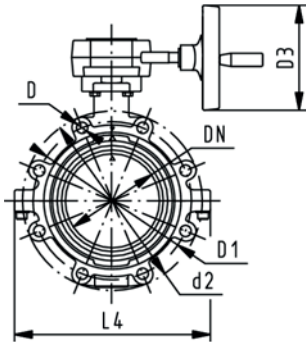


SYGEF Standard Lugstyle butterfly valve 568 ANSI Reduction gear with handwheel

Model:

- Material: PVDF
- Outer body in GGG-40.3 epoxy-coated
- Connecting dimension ANSI/ASME B 16.5 Class 150
- Overall length according to EN 558, ISO 5752

Model with PTFE seal in DN50 - DN80 on request



Inch	d [mm]	DN [mm]	PN	kv-value ($\Delta p=1$ bar) [l/min]	FPM Code	PTFE Code	kg
2	63	50	10	1470	175 568 122	175 568 322	5.208
2 1/2	75	65	10	2200	175 568 123	175 568 323	5.571
3	90	80	10	3000	175 568 124	175 568 324	5.999
4	110	100	10	6500	175 568 125	175 568 325	8.160
5	140	125	10	11500	175 568 126	175 568 326	10.141
6	160	150	10	16600	175 568 127	175 568 327	12.360
8	225	200	10	39600	175 568 128	175 568 328	17.974

Inch	d2 [mm]	D	D1 [mm]	D3 [mm]	H [mm]	H1 [mm]	H2 [mm]	H3 [mm]	L [mm]	L1 [mm]	L2 [mm]	L3 [mm]	L4 [mm]	Q1 [mm]
2	150	UNC 5/8	121	150	279	77	134	50	45	110	120	155	150	40
2 1/2	170	UNC 5/8	138	150	291	83	140	50	46	110	120	155	160	54
3	177	UNC 5/8	152	150	303	89	146	50	49	110	120	155	175	67
4	216	UNC 5/8	191	150	339	104	167	50	56	110	120	155	244	88
5	246	UNC 3/4	216	150	366	117	181	50	64	110	120	155	272	113
6	273	UNC 3/4	241	150	387	130	189	50	72	110	120	155	297	139
8	334	UNC 3/4	298	150	436	158	210	50	73	110	120	155	360	178

Inch	Q2 [mm]
2	
2 1/2	35
3	50
4	74
5	97
6	123
8	169

PF 2 35 768 001

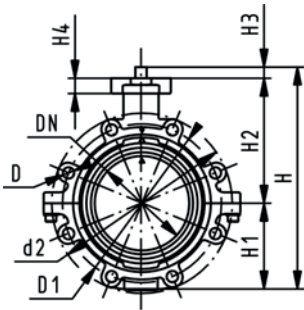


SYGEF Standard Lugstyle butterfly valve 568 ANSI Bare shaft

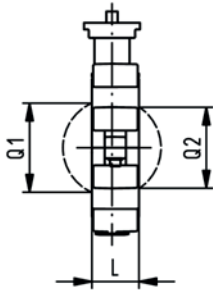
Model:

- Material: PVDF
- Outer body in GGG-40.3 epoxy-coated
- Connecting dimension ANSI/ASME B 16.5 Class 150
- Overall length according to EN 558, ISO 5752
- Interface F07 according to DIN/ISO 5211

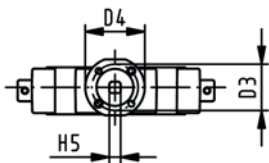
Model with PTFE seal in DN50 - DN80 on request



Inch	d [mm]	DN [mm]	PN	kv-value ($\Delta p=1$ bar) [l/min]	FPM Code	PTFE Code	kg
2	63	50	10	1470	175 568 922	175 568 942	2.948
2 ½	75	65	10	2200	175 568 923	175 568 943	3.311
3	90	80	10	3000	175 568 924	175 568 944	3.739
4	110	100	10	6500	175 568 925	175 568 945	5.900
5	140	125	10	11500	175 568 926	175 568 946	7.881
6	160	150	10	16600	175 568 927	175 568 947	10.100
8	225	200	10	39600	175 568 928	175 568 948	15.714

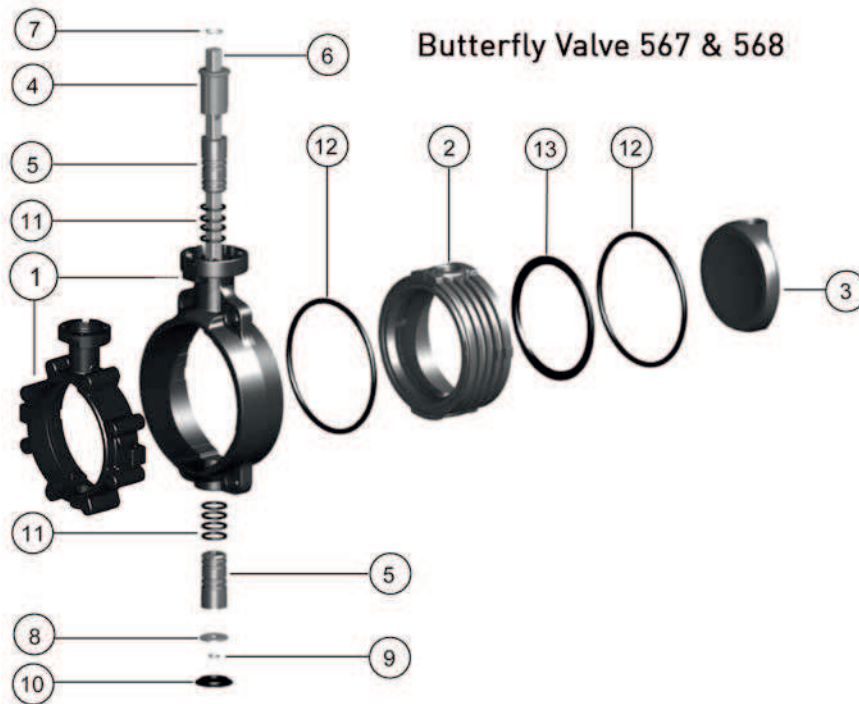


Inch	d2 [mm]	D	D1 [mm]	D3 [mm]	D4 [mm]	H [mm]	H1 [mm]	H2 [mm]	H3 [mm]	H4 [mm]	L [mm]	Q1 [mm]	Q2 [mm]
2	150	UNC 5/8	121	70	90	222	77	134	27	23	45	40	
2 ½	170	UNC 5/8	138	70	90	235	83	140	27	23	46	54	35
3	177	UNC 5/8	152	70	90	247	89	146	27	23	49	67	50
4	216	UNC 5/8	191	70	90	287	104	167	16	23	56	88	74
5	246	UNC 3/4	216	70	90	313	117	181	16	23	64	113	97
6	273	UNC 3/4	241	70	90	335	130	189	19	23	72	139	123
8	334	UNC 3/4	298	70	90	387	158	210	19	23	73	178	169



PF 2 35 768 998

Spare parts butterfly valve type 567/568



Inner body

Model:

- Inner body consisting of: inner body (2) and profile seal (13)



d [mm]	Inch	DN [mm]	PVDF FPM Code	PVDF PTFE Code	kg
63	2	50	175 483 413	175 483 752	0.190
75	2 ½	65	175 483 414	175 483 753	0.230
90	3	80	175 483 415	175 483 754	0.326
110	4	100	175 483 416	175 483 755	0.581
140	5	125	175 483 417	175 483 756	0.858
160	6	150	175 483 418	175 483 757	1.063
225	8	200	175 483 419	175 483 758	1.823
280	10	250	175 483 420	175 483 759	4.368
315	12	300	175 483 421	175 483 760	5.691

PF 2 35 566 998

Flange seal (12)

Model:

- included in delivery 1 pcs.



d [mm]	Inch	DN [mm]	FPM Code	kg
63	2	50	161 486 979	0.012
75	2 ½	65	161 486 980	0.014
90	3	80	161 486 981	0.016
110	4	100	161 486 982	0.036
125	5	125	161 486 983	0.043
160	6	150	161 486 984	0.050
225	8	200	161 486 985	0.064
280	10	250	161 486 986	0.091
315	12	300	161 486 987	0.104

PF 2 31 567 999



Disc (3)

d [mm]	Inch	DN [mm]	PVDF Code	kg
63	2	50	175 483 251	0.045
75	2 ½	65	175 483 252	0.082
90	3	80	175 483 253	0.132
110	4	100	175 483 254	0.254
140	5	125	175 483 255	0.456
160	6	150	175 483 256	0.590
225	8	200	175 483 257	2.029
280	10	250	175 483 258	6.068
315	12	300	175 483 259	9.442

PF 2 35 566 999



Bearing bush (5, 11)

Model:

- included in delivery 2 pcs.
- With O-ring
- Bearing bushes in PP-H are used in PP-H and ABS butterfly valves

d [mm]	Inch	DN [mm]	PVDF FPM Code	kg
63	2	50	175 483 426	0.038
75	2 ½	65	175 483 426	0.038
90	3	80	175 483 426	0.038
110	4	100	175 483 427	0.069
140	5	125	175 483 427	0.069
160	6	150	175 483 428	0.145
225	8	200	175 483 428	0.145
280	10	250	175 483 429	0.360
315	12	300	175 483 429	0.360

PF 2 35 566 998



End stopp PP glasfiber reinforced (4)

d [mm]	Inch	DN [mm]	Code	kg
63	2	50	167 483 251	0.022
75	2 ½	65	167 483 251	0.022
90	3	80	167 483 251	0.022
110	4	100	167 483 252	0.145
140	5	125	167 483 252	0.145
160	6	150	167 483 253	0.049
225	8	200	167 483 253	0.049
280	10	250	167 483 254	0.096
315	12	300	167 483 254	0.096

PF 2 34 637 999



Shaft set

Model:

- Shaft set consisting of: shaft chrom steel 1.4301 AISI 304 (6), retention ring (7, 9) and washer (8)

d [mm]	Inch	DN [mm]	Code	kg
63	2	50	161 486 899	0.225
75	2 ½	65	161 486 900	0.237
90	3	80	161 486 901	0.227
110	4	100	161 486 902	0.407
140	5	125	161 486 903	0.469
160	6	150	161 486 904	0.749
225	8	200	161 486 905	0.844
280	10	250	161 486 906	2.335
315	12	300	161 486 907	2.536

PF 2 31 567 998



Hand lever

d [mm]	Inch	DN [mm]	with index plate Code	with fine adjust- ment Code	kg
63	2	50	161 486 690	161 486 325	0.479
75	2 ½	65	161 486 690	161 486 325	0.479
90	3	80	161 486 690	161 486 325	0.479
110	4	100	161 486 691	161 486 326	0.540
140	5	125	161 486 691	161 486 326	0.540
160	6	150	161 486 694	161 486 327	0.537
225	8	200	161 486 695	161 486 328	1.375
280	10	250	161 486 697		0.330
315	12	300	161 486 697		0.330

PF 2 31 567 998

Reduction gear with handwheel



d [mm]	Inch	DN [mm]	Code	kg
75	2 ½	65	161 482 408	1.920
90	3	80	161 482 408	1.920
110	4	100	161 482 408	1.920
125	4 ½	125	161 482 408	1.920
160	6	150	161 482 408	1.920
225	8	200	161 482 408	1.920
280	10	250	161 483 462	3.322
315	12	300	161 483 462	3.322

PF 2 31 159 998



Integrated position indicator Automatic AU

Size	DN-DN [mm]	Code	kg
1	50 - 80	161 486 858	0.072
2	100 - 125	161 486 304	0.055
3	150 - 200	161 486 009	0.063

PF 3 39 643 999



Integrated position indicator Automatic AG NI

Size	DN-DN [mm]	Code	kg
1	50 - 80	161 486 859	0.063
2	100 - 125	161 486 305	0.068
3	150 - 200	161 486 010	0.063

PF 3 39 643 999



Integrated position indicator Electric Namur

PF 3 39 643 999

Size	DN-DN [mm]	Code	kg
1	50 - 80	161 486 855	0.050
2	100 - 125	161 486 301	0.050
3	150 - 200	161 486 006	0.050



Integrated position indicator Electric PNP

PF 3 39 643 999

Size	DN-DN [mm]	Code	kg
1	50 - 80	161 486 856	0.056
2	100 - 125	161 486 302	0.056
3	150 - 200	161 486 007	0.056



Integrated position indicator Electric NPN

PF 3 39 643 999

Size	DN-DN [mm]	Code	kg
1	50 - 80	161 486 857	0.056
2	100 - 125	161 486 303	0.056
3	150 - 200	161 486 008	0.056

Cone check valves

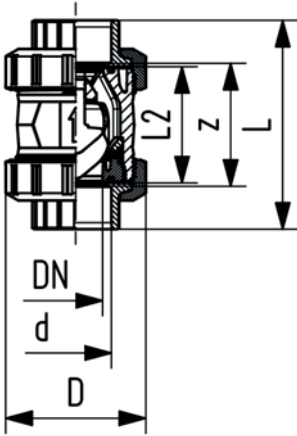
SYGEF Standard Check valve type 561 With fusion sockets metric



Model:

- Material: PVDF
- Designed for easy installation and removal
- Sealing at a minimum water column of 2m
- Vibration free even at high flow velocity
- Flow-optimized return cone, double guided
- For horizontal or vertical installation
- Compact installation length, same as ball valve type 546
- Z-length, end connectors and union nuts **not** compatible with type 360

Warning: please make sure the diameter is not reduced through welding beads (Danger of turbulences)



PF 2 35 990 211

d [mm]	DN [mm]	PN	kv-value ($\Delta p=1$ bar) [l/min]	FPM Code	kg	D [mm]	L [mm]	L2 [mm]	z [mm]	closest inch
16	10	16	190	175 561 011	0.160	50	93	56	67	3/8
20	15	16	180	175 561 012	0.160	50	95	56	66	1/2
25	20	16	380	175 561 013	0.340	58	109	65	77	3/4
32	25	16	460	175 561 014	0.360	68	119	71	83	1
40	32	16	850	175 561 015	0.670	84	135	85	99	1 1/4
50	40	16	1080	175 561 016	0.990	97	147	89	105	1 1/2
63	50	16	1670	175 561 017	1.770	124	168	101	117	2
75	65	16	2950	175 561 018	3.630	166	235	136	167	2 1/2
90	80	16	3600	175 561 019	5.800	200	255	141	180	3
110	100	16	4150	175 561 020	9.450	238	305	164	215	4

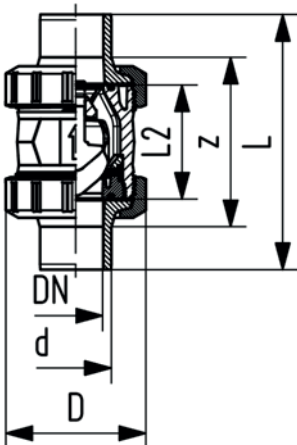
SYGEF Standard Check valve type 561 With socket fusion spigots metric



Model:

- Material: PVDF
- Designed for easy installation and removal
- Sealing at a minimum water column of 2m
- Vibration free even at high flow velocity
- Flow-optimized return cone, double guided
- For horizontal or vertical installation
- Compact installation length, same as ball valve type 546
- Z-length, end connectors and union nuts **not** compatible with type 360

Warning: please make sure the diameter is not reduced through welding beads (Danger of turbulences)



PF 2 35 990 211

d [mm]	DN [mm]	PN	kv-value ($\Delta p=1$ bar) [l/min]	FPM Code	kg	D [mm]	L [mm]	L2 [mm]	closest inch
16	10	16	190	175 561 051	0.160	50	110	56	3/8
20	15	16	180	175 561 052	0.170	50	120	56	1/2
25	20	16	380	175 561 053	0.370	58	139	65	3/4
32	25	16	460	175 561 054	0.400	68	150	71	1
40	32	16	850	175 561 055	0.670	84	170	85	1 1/4
50	40	16	1080	175 561 056	1.030	97	190	89	1 1/2
63	50	16	1670	175 561 057	1.830	124	220	101	2

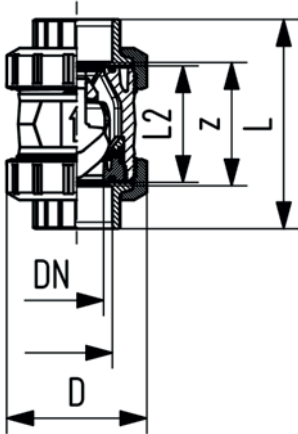


SYGEF Standard Check valve type 561 With threaded sockets NPT

Model:

- Material: PVDF
- Designed for easy installation and removal
- Sealing at a minimum water column of 2m
- Vibration free even at high flow velocity
- Flow-optimized return cone, double guided
- For horizontal or vertical installation
- Compact installation length, same as ball valve type 546
- Z-length, end connectors and union nuts **not** compatible with type 360

Warning: please make sure the diameter is not reduced through welding beads (Danger of turbulences)



NPT [inch]	DN [mm]	PN	kv-value ($\Delta p=1$ bar) [l/min]	FPM Code	kg	D [mm]	L [mm]	L2 [mm]	z [mm]
3/8	10	10	190	175 561 111	0.150	50	96	56	69
1/2	15	10	180	175 561 112	0.160	50	99	56	64
3/4	20	10	380	175 561 113	0.350	58	111	65	76
1	25	10	460	175 561 114	0.390	68	127	71	83
1 1/4	32	10	850	175 561 115	0.680	84	146	85	101
1 1/2	40	10	1080	175 561 116	1.000	97	157	89	111
2	50	10	1670	175 561 117	1.770	124	183	101	135

PF 2 35 990 213

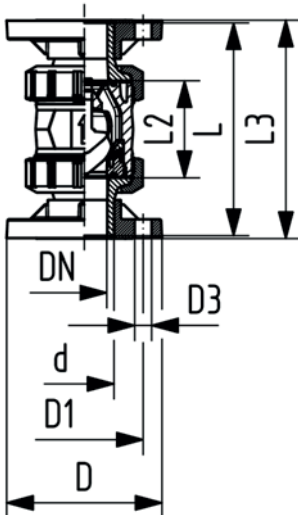


SYGEF Standard Check valve type 561 With fixed flanges metric

Model:

- Material: PVDF
- Designed for easy installation and removal
- Sealing at a minimum water column of 2m
- Vibration free even at high flow velocity
- Flow-optimized return cone, double guided
- For horizontal or vertical installation
- Compact installation length, same as ball valve type 546
- Z-length, end connectors and union nuts **not** compatible with type 360
- Installation length according to EN 558-1
- Connecting dimension: ISO 7005 PN10, EN 1092 PN10, DIN 2501 PN10

Warning: please make sure the diameter is not reduced through welding beads (Danger of turbulences)



d [mm]	DN [mm]	PN	kv-value ($\Delta p=1$ bar) [l/min]	FPM Code	kg	D [mm]	D1 [mm]	D3 [mm]	L [mm]	L2 [mm]	L3 [mm]	closest inch
20	15	16	180	175 561 192	0.420	93	65	14	120	56	130	1/2
25	20	16	380	175 561 193	0.700	103	75	14	140	65	150	3/4
32	25	16	460	175 561 194	0.860	115	85	14	150	71	160	1
40	32	16	850	175 561 195	1.430	137	100	18	170	85	180	1 1/4
50	40	16	1080	175 561 196	1.940	147	110	18	190	89	200	1 1/2
63	50	16	1670	175 561 197	3.160	162	125	18	220	101	230	2

PF 2 35 990 211

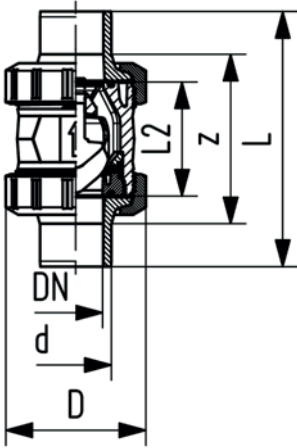


SYGEF Standard Check valve type 561 With butt fusion spigots IR-Plus metric

Model:

- Material: PVDF
- Designed for easy installation and removal
- Sealing at a minimum water column of 2m
- Vibration free even at high flow velocity
- Flow-optimized return cone, double guided
- For horizontal or vertical installation
- Compact installation length, same as ball valve type 546
- Z-length, end connectors and union nuts **not** compatible with type 360

Warning: please make sure the diameter is not reduced through welding beads (Danger of turbulences)



d [mm]	DN [mm]	PN	kv-value ($\Delta p=1$ bar) [l/min]	FPM Code	kg	D [mm]	L [mm]	L2 [mm]	e [mm]	closest inch
20	15	16	180	175 561 092	0.160	50	130	56	1.9	½
25	20	16	380	175 561 093	0.350	58	143	65	1.9	¾
32	25	16	460	175 561 094	0.380	68	150	71	2.4	1
40	32	16	850	175 561 095	0.660	84	171	85	2.4	1 ¼
50	40	16	1080	175 561 096	1.000	97	191	89	3.0	1 ½
63	50	16	1670	175 561 097	1.790	124	220	101	3.0	2
75	65	16	2950	175 561 098	3.680	166	270	136	3.6	2 ½
90	80	16	3600	175 561 099	5.760	200	265	141	4.3	3
110	100	16	4150	175 561 100	9.270	238	305	164	5.3	4

PF 2 35 990 211

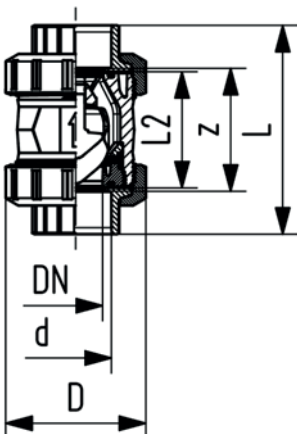


SYGEF Standard Check valve type 562 With fusion sockets metric

Model:

- Material: PVDF
- Spring loaded, spring made of stainless steel (1.4310)
- Spring available in other materials, see spare parts
- Designed for easy installation and removal
- Sealing at a minimum water column of 0.5m
- Vibration free even at high flow velocity
- Flow-optimized return cone, double guided
- For horizontal or vertical installation
- Compact installation length, same as ball valve type 546
- Z-length, end connectors and union nuts **not** compatible with type 360

Warning: please make sure the diameter is not reduced through welding beads (Danger of turbulences)



d [mm]	DN [mm]	PN	kv-value ($\Delta p=1$ bar) [l/min]	FPM Code	kg	D [mm]	L [mm]	L2 [mm]	z [mm]	closest inch
16	10	16	190	175 562 011	0.160	50	93	56	67	¾
20	15	16	180	175 562 012	0.160	50	95	56	66	½
25	20	16	380	175 562 013	0.340	58	109	65	77	¾
32	25	16	460	175 562 014	0.360	68	119	71	83	1
40	32	16	850	175 562 015	0.670	84	135	85	99	1 ¼
50	40	16	1080	175 562 016	0.990	97	147	89	105	1 ½
63	50	16	1670	175 562 017	1.770	124	168	101	117	2
75	65	16	2950	175 562 018	3.630	166	235	136	167	2 ½
90	80	16	3600	175 562 019	5.800	200	255	141	180	3
110	100	16	4150	175 562 020	9.450	238	305	164	215	4

PF 2 35 990 111

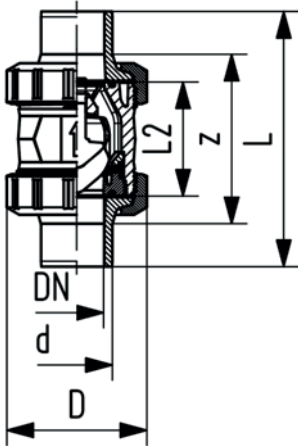


SYGEF Standard Check valve type 562 With socket fusion spigots metric

Model:

- Material: PVDF
- Spring loaded, spring made of stainless steel (1.4310)
- Spring available in other materials, see spare parts
- Designed for easy installation and removal
- Sealing at a minimum water column of 0.5m
- Vibration free even at high flow velocity
- Flow-optimized return cone, double guided
- For horizontal or vertical installation
- Compact installation length, same as ball valve type 546
- Z-length, end connectors and union nuts **not** compatible with type 360

Warning: please make sure the diameter is not reduced through welding beads (Danger of turbulences)



d [mm]	DN [mm]	PN	kv-value ($\Delta p=1$ bar) [l/min]	FPM Code	kg	D [mm]	L [mm]	L2 [mm]	closest inch
16	10	16	190	175 562 051	0.160	50	110	56	3/8
20	15	16	180	175 562 052	0.170	50	120	56	1/2
25	20	16	380	175 562 053	0.370	58	139	65	3/4
32	25	16	460	175 562 054	0.400	68	150	71	1
40	32	16	850	175 562 055	0.670	84	170	85	1 1/4
50	40	16	1080	175 562 056	1.030	97	190	89	1 1/2
63	50	16	1670	175 562 057	1.830	124	220	101	2

PF 2 35 990 111

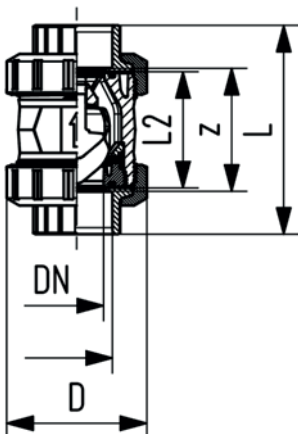


SYGEF Standard Check valve type 562 With threaded sockets NPT

Model:

- Material: PVDF
- Spring loaded, spring made of stainless steel (1.4310)
- Spring available in other materials, see spare parts
- Designed for easy installation and removal
- Sealing at a minimum water column of 0.5m
- Vibration free even at high flow velocity
- Flow-optimized return cone, double guided
- For horizontal or vertical installation
- Compact installation length, same as ball valve type 546
- Z-length, end connectors and union nuts **not** compatible with type 360

Warning: please make sure the diameter is not reduced through welding beads (Danger of turbulences)



NPT [inch]	DN [mm]	PN	kv-value ($\Delta p=1$ bar) [l/min]	FPM Code	kg	D [mm]	L [mm]	L2 [mm]	z [mm]
3/8	10	10	190	175 562 111	0.150	50	96	56	69
1/2	15	10	180	175 562 112	0.160	50	99	56	64
3/4	20	10	380	175 562 113	0.350	58	111	65	76
1	25	10	460	175 562 114	0.390	68	127	71	83
1 1/4	32	10	850	175 562 115	0.680	84	146	85	101
1 1/2	40	10	1080	175 562 116	1.000	97	157	89	111
2	50	10	1670	175 562 117	1.770	124	183	101	135

PF 2 35 990 113

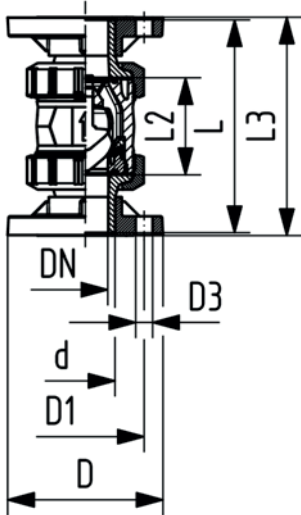


SYGEF Standard Check valve type 562 With fixed flanges metric

Model:

- Material: PVDF
- Spring loaded, spring made of stainless steel (1.4310)
- Spring available in other materials, see spare parts
- Designed for easy installation and removal
- Sealing at a minimum water column of 0.5m
- Vibration free even at high flow velocity
- Flow-optimized return cone, double guided
- For horizontal or vertical installation
- Compact installation length, same as ball valve type 546
- Z-length, end connectors and union nuts **not** compatible with type 360
- Installation length according to EN 558-1
- Connecting dimension: ISO 7005 PN10, EN 1092 PN10, DIN 2501 PN10

Warning: please make sure the diameter is not reduced through welding beads (Danger of turbulences)



d [mm]	DN [mm]	PN	kv-value ($\Delta p=1$ bar) [l/min]	FPM Code	kg	D [mm]	D1 [mm]	D3 [mm]	L [mm]	L2 [mm]	L3 [mm]	closest inch
20	15	16	180	175 562 192	0.420	93	65	14	120	56	130	½
25	20	16	380	175 562 193	0.700	103	75	14	140	65	150	¾
32	25	16	460	175 562 194	0.860	115	85	14	150	71	160	1
40	32	16	850	175 562 195	1.430	137	100	18	170	85	180	1 ¼
50	40	16	1080	175 562 196	1.940	147	110	18	190	89	200	1 ½
63	50	16	1670	175 562 197	3.160	162	125	18	220	101	230	2

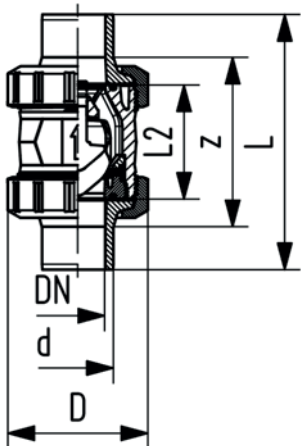
PF 2 35 990 111

SYGEF Standard Check valve type 562 With butt fusion spigots IR-Plus metric

Model:

- Material: PVDF
- Spring loaded, spring made of stainless steel (1.4310)
- Spring available in other materials, see spare parts
- Designed for easy installation and removal
- Sealing at a minimum water column of 0.5m
- Vibration free even at high flow velocity
- Flow-optimized return cone, double guided
- For horizontal or vertical installation
- Compact installation length, same as ball valve type 546
- Z-length, end connectors and union nuts **not** compatible with type 360

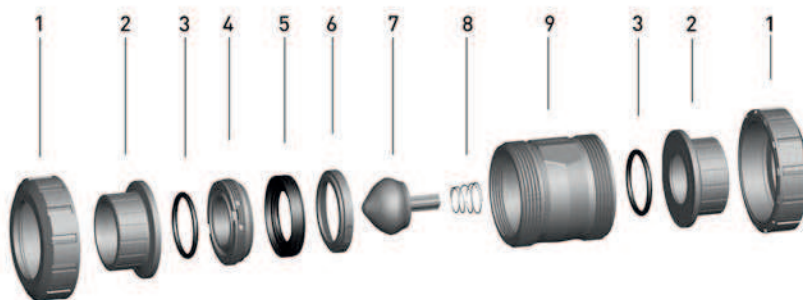
Warning: please make sure the diameter is not reduced through welding beads (Danger of turbulences)



d [mm]	DN [mm]	PN	kv-value ($\Delta p=1$ bar) [l/min]	FPM Code	kg	D [mm]	L [mm]	L2 [mm]	e [mm]	closest inch
20	15	16	180	175 562 092	0.160	50	130	56	1.9	½
25	20	16	380	175 562 093	0.350	58	143	65	1.9	¾
32	25	16	460	175 562 094	0.380	68	150	71	2.4	1
40	32	16	850	175 562 095	0.660	84	171	85	2.4	1 ¼
50	40	16	1080	175 562 096	1.000	97	191	89	3.0	1 ½
63	50	16	1670	175 562 097	1.790	124	220	101	3.0	2
75	65	16	2950	175 562 098	3.680	166	270	136	3.6	2 ½
90	80	16	3600	175 562 099	5.760	200	265	141	4.3	3
110	100	16	4150	175 562 100	9.270	238	305	164	5.3	4

PF 2 35 990 111

Spare parts cone check valve type 561/562



Central part without spring

Model:

- Central body consisting of: housing (9), union bush (4), support ring (6), cone (7), profile seal ring (5) and face seal (3)

d [mm]	Inch	DN [mm]	PVDF FPM Code	kg
16	3/8	10	175 485 211	0.080
20	1/2	15	175 485 211	0.080
25	3/4	20	175 485 212	0.220
32	1	25	175 485 213	0.200
40	1 1/4	32	175 485 214	0.350
50	1 1/2	40	175 485 215	0.520
63	2	50	175 485 216	0.920
75	2 1/2	65	175 485 217	1.130
90	3	80	175 485 218	1.800
110	4	100	175 485 219	2.960

PF 2 35 990 999



Central part with spring

Model:

- Central body consisting of: housing (9), union bush (4), support ring (6), cone (7), spring V2A (8), profile seal ring (5) and face seal (3)

d [mm]	Inch	DN [mm]	PVDF FPM Code	kg
16	3/8	10	175 485 231	0.050
20	1/2	15	175 485 231	0.050
25	3/4	20	175 485 232	0.130
32	1	25	175 485 233	0.110
40	1 1/4	32	175 485 234	0.190
50	1 1/2	40	175 485 235	0.280
63	2	50	175 485 236	0.510
75	2 1/2	65	175 485 237	1.130
90	3	80	175 485 238	1.800
110	4	100	175 485 239	2.960

PF 2 35 990 999

Cone (7)



d [mm]	Inch	DN [mm]	PVDF Code	kg
16	3/8	10	175 484 151	0.007
20	1/2	15	175 484 151	0.007
25	3/4	20	175 484 152	0.011
32	1	25	175 484 153	0.024
40	1 1/4	32	175 484 154	0.047
50	1 1/2	40	175 484 155	0.086
63	2	50	175 484 156	0.136

table continued next page

d [mm]	Inch	DN [mm]	PVDF Code	kg
75	2 1/2	65	175 484 157	0.296
90	3	80	175 484 158	0.520
110	4	100	175 484 159	0.860

PF 2 35 990 999

Profile seal ring (5)

d [mm]	Inch	DN [mm]	FPM Code	kg
16	3/8	10	749 436 001	0.005
20	1/2	15	749 436 001	0.005
25	3/4	20	749 436 002	0.006
32	1	25	749 436 003	0.011
40	1 1/4	32	749 436 004	0.016
50	1 1/2	40	749 436 005	0.025
63	2	50	749 436 006	0.045
75	2 1/2	65	749 436 007	0.121
90	3	80	749 436 008	0.177
110	4	100	749 436 009	0.261

PF 2 31 986 999

Seal set

Model:

- Seal set consisting of: profile seal ring (5) and face seal (3)

d [mm]	Inch	DN [mm]	FPM Code	kg
16	3/8	10	161 485 251	0.009
20	1/2	15	161 485 251	0.009
25	3/4	20	161 485 252	0.010
32	1	25	161 485 253	0.015
40	1 1/4	32	161 485 254	0.020
50	1 1/2	40	161 485 255	0.039
63	2	50	161 485 256	0.052
75	2 1/2	65	161 485 257	0.128
90	3	80	161 485 258	0.184
110	4	100	161 485 259	0.318

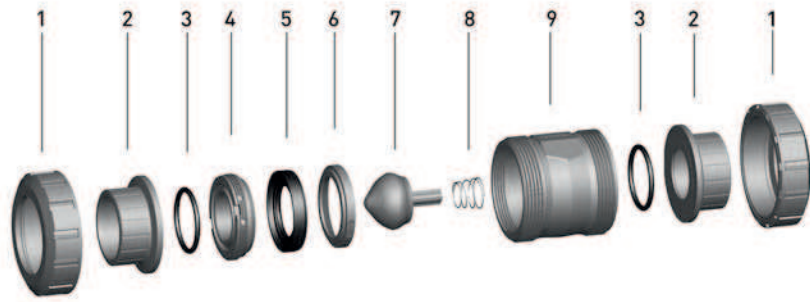
PF 2 31 986 999

Face seal (3)

d [mm]	Inch	DN [mm]	FPM Code	kg
16	3/8	10	749 410 059	0.001
20	1/2	15	749 410 059	0.001
25	3/4	20	749 410 106	0.001
32	1	25	749 410 151	0.002
40	1 1/4	32	749 410 062	0.005
50	1 1/2	40	749 410 003	0.001
63	2	50	749 410 231	0.008
75	2 1/2	65	749 410 119	0.010
90	3	80	749 410 023	0.012
110	4	100	749 410 254	0.030

PF 2 31 800 999

Spare parts cone check valve type 561/562



Spring (8)

Model:

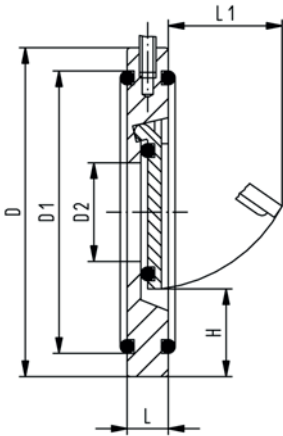
- Material: V2A, code: 1.4310
- Material: NIMONIC 90, code: 2.4632
- Material: NIMONIC 90, code: 2.4632, HALAR® coated

d [mm]	Inch	DN [mm]	Stainless steel Code	NIMONIC 90 HALAR coated Code	NIMONIC 90 Code	kg	
16	3/8	10	161 485 102	161 485 112	161 485 122	0.001	
20	1/2	15	161 485 102	161 485 112	161 485 122	0.001	
25	3/4	20	161 485 102	161 485 112	161 485 122	0.001	
32	1	25	161 485 103	161 485 113	161 485 123	0.001	
40	1 1/4	32	161 485 104	161 485 114	161 485 124	0.002	
50	1 1/2	40	161 485 105	161 485 115	161 485 125	0.002	
63	2	50	161 485 106	161 485 116	161 485 126	0.003	
75	2 1/2	65	161 485 107	161 485 117	161 485 127	0.003	
90	3	80	161 485 108	161 485 118	161 485 128	0.004	
110	4	100	161 485 109	161 485 119	161 485 129	0.004	

PF 2 31 986 999

Check valves

SYGEF Standard Wafer check valve type 369 Without spring



Model:

- Material: PVDF
- Supporting eyelets for simple fitting
- Suitable for vertical and horizontal mounting

Installation instruction:

- Installation between metric flange adaptors
- Centering by body diameter
- Sealing with special flange gasket (except DN32, o-ring)
- A stabilizing zone of at least 5 times nominal diameter (DN) should be provided before and after the wafer check valve (10 times DN is recommended)
- No direct installation on pump flange or following bend allowed
- Wafer check valves without reset spring are not recommended for pulsating flows (production of noise)

Note:

In order to install the wafer check valves properly, Georg Fischer recommends flange adaptors of the next larger diameter of the valve (e.g. wafer check valve d90 with two flange adaptors d110)

d [mm]	DN [mm]	PN	FPM Code	kg
40	32	6	175 369 022	0.133
50	40	6	175 369 023	0.184
63	50	6	175 369 024	0.272
75	65	6	175 369 025	0.410
90	80	6	175 369 026	0.508
110	100	6	175 369 027	0.722
140	125	6	175 369 029	0.991
160	150	6	175 369 030	1.418
225	200	6	175 369 031	2.710
280	250	6	175 369 032	4.520
315	300	6	175 369 033	6.900

d [mm]	D [mm]	D1 [mm]	D2 [mm]	L [mm]	L1 [mm]	H [mm]	Opening pressure vertical [mbar]	Opening pressure hor- izontal [mbar]	Tightness from water column [m]	closest inch
40	85	59	18	15	22	25	10	1	2.0	1 ¼
50	95	74	22	16	27	27	10	1	2.0	1 ½
63	109	90	32	18	40	29	10	1	2.0	2
75	129	110	40	20	55	31	10	1	2.0	2 ½
90	144	125	54	20	67	32	10	1	2.0	3
110	164	150	70	23	67	31	10	1	2.0	4
140	195	178	92	23	94	35	10	1	2.0	5
160	220	192	105	26	100	41	10	1	2.0	6
225	275	256	154	35	152	38	18	1	2.0	8
280	330	306	192	40	180	41	18	1	2.0	10
315	380	342	227	45	215	41	18	1	2.0	12

PF 2 35 195 006



SYGEF Standard Wafer check valve type 369 With V4A spring (stainless steel 316)

Model:

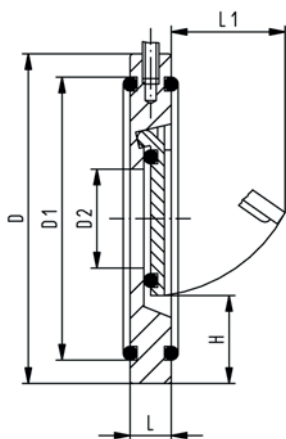
- Material: PVDF
- Supporting eyelets for simple fitting
- Suitable for vertical and horizontal mounting

Installation instruction:

- Installation between metric flange adaptors
- Centering by body diameter
- Sealing with special flange gasket (except DN32, o-ring)
- A stabilizing zone of at least 5 times nominal diameter (DN) should be provided before and after the wafer check valve (10 times DN is recommended)
- No direct installation on pump flange or following bend allowed

Note:

In order to install the wafer check valves properly, Georg Fischer recommends flange adaptors of the next larger diameter of the valve (e.g. wafer check valve d90 with two flange adaptors d110)



d [mm]	DN [mm]	PN	FPM Code	kg
40	32	6	175 369 062	0.170
50	40	6	175 369 063	0.210
63	50	6	175 369 064	0.274
75	65	6	175 369 065	0.410
90	80	6	175 369 066	0.508
110	100	6	175 369 067	0.724
140	125	6	175 369 069	0.993
160	150	6	175 369 070	1.422
225	200	6	175 369 071	2.708
280	250	6	175 369 072	4.423
315	300	6	175 369 073	6.900

d [mm]	D [mm]	D1 [mm]	D2 [mm]	L [mm]	L1 [mm]	H [mm]	Opening pressure vertical [mbar]	Opening pressure hor- izontal [mbar]	Tightness from water column [m]	closest inch
40	85	59	18	15	22	25	30	20	2.0	1 ¼
50	95	74	22	16	27	27	30	20	2.0	1 ½
63	109	90	32	18	40	29	30	20	2.0	2
75	129	110	40	20	55	31	30	20	2.0	2 ½
90	144	125	54	20	67	32	30	20	2.0	3
110	164	150	70	23	67	31	30	20	2.0	4
140	195	178	92	23	94	35	30	20	2.0	5
160	220	192	105	26	100	41	30	20	2.0	6
225	275	256	154	35	152	38	38	20	2.0	8
280	330	306	192	40	180	41	38	20	2.0	10
315	380	342	227	45	215	41	38	20	2.0	12

PF 2 35 195 006



SYGEF Standard Wafer check valve type 369 With Hastelloy C spring

Model:

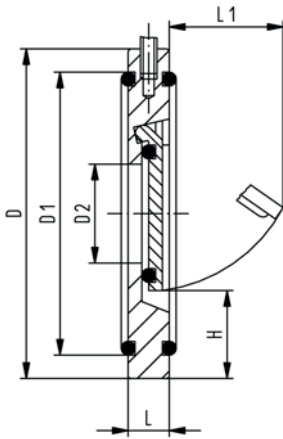
- Material: PVDF
- Supporting eyelets for simple fitting
- Suitable for vertical and horizontal mounting

Installation instruction:

- Installation between metric flange adaptors
- Centering by body diameter
- Sealing with special flange gasket (except DN32, o-ring)
- A stabilizing zone of at least 5 times nominal diameter (DN) should be provided before and after the wafer check valve (10 times DN is recommended)
- No direct installation on pump flange or following bend allowed

Note:

In order to install the wafer check valves properly, Georg Fischer recommends flange adaptors of the next larger diameter of the valve (e.g. wafer check valve d90 with two flange adaptors d110)



d [mm]	DN [mm]	PN	FPM Code	kg
40	32	6	175 369 102	0.170
50	40	6	175 369 103	0.210
63	50	6	175 369 104	0.330
75	65	6	175 369 105	0.420
90	80	6	175 369 106	0.510
110	100	6	175 369 107	0.710
140	125	6	175 369 109	0.970
160	150	6	175 369 110	1.420
225	200	6	175 369 111	2.710
280	250	6	175 369 112	4.520
315	300	6	175 369 113	6.900

d [mm]	D [mm]	D1 [mm]	D2 [mm]	L [mm]	L1 [mm]	H [mm]	Opening pressure vertical [mbar]	Opening pressure hor- izontal [mbar]	Tightness from water column [m]	closest inch
40	85	59	18	15	22	25	30	20	2.0	1 ¼
50	95	74	22	16	27	27	30	20	2.0	1 ½
63	109	90	32	18	40	29	30	20	2.0	2
75	129	110	40	20	55	31	30	20	2.0	2 ½
90	144	125	54	20	67	32	30	20	2.0	3
110	164	150	70	23	67	31	30	20	2.0	4
140	195	178	92	23	94	35	30	20	2.0	5
160	220	192	105	26	100	41	30	20	2.0	6
225	275	256	154	35	152	38	38	20	2.0	8
280	330	306	192	40	180	41	38	20	2.0	10
315	380	342	227	45	215	41	38	20	2.0	12

PF 2 35 195 006

Spare parts wafer check valve type 369



Seal set (1)



PF 2 31 161 999

d [mm]	Inch	DN [mm]	FPM Code	kg	
40	1 ¼	32	161 484 887	0.004	
50	1 ½	40	161 484 888	0.006	
63	2	50	161 484 889	0.020	
75	2 ½	65	161 484 890	0.012	
90	3	80	161 484 891	0.020	
110	4	100	161 484 892	0.026	
140	5	125	161 484 893	0.033	
160	6	150	161 484 894	0.034	
225	8	200	161 484 895	0.070	
280	10	250	161 484 896	0.119	
315	12	300	161 484 897	0.130	

Disc set (2)



PF 2 35 195 999

d [mm]	Inch	DN [mm]	PVDF FPM Code	kg	
40	1 ¼	32	175 369 142	0.005	
50	1 ½	40	175 369 143	0.010	
63	2	50	175 369 144	0.022	
75	2 ½	65	175 369 145	0.041	
90	3	80	175 369 146	0.055	
110	4	100	175 369 147	0.114	
140	5	125	175 369 148	0.168	
160	6	150	175 369 149	0.250	
225	8	200	175 369 150	0.615	
280	10	250	175 369 151	1.081	
315	12	300	175 369 152	1.628	

Spare parts wafer check valve type 369



Spring (3)

d [mm]	Inch	DN [mm]	V4A Code	Hastelloy C Code	kg	
40	1 ¼	32	161 484 900	161 484 912	0.100	
50	1 ½	40	161 484 901	161 484 913	0.001	
63	2	50	161 484 902	161 484 914	0.002	
75	2 ½	65	161 484 903	161 484 915	0.011	
90	3	80	161 484 904	161 484 916	0.001	
110	4	100	161 484 905	161 484 917	0.005	
140	5	125	161 484 905	161 484 917	0.005	
160	6	150	161 484 907	161 484 919	0.002	
225	8	200	161 484 908	161 484 920	0.023	
280	10	250	161 484 909	161 484 921	0.032	
315	12	300	161 484 910	161 484 922	0.035	



PF 2 31 161 999

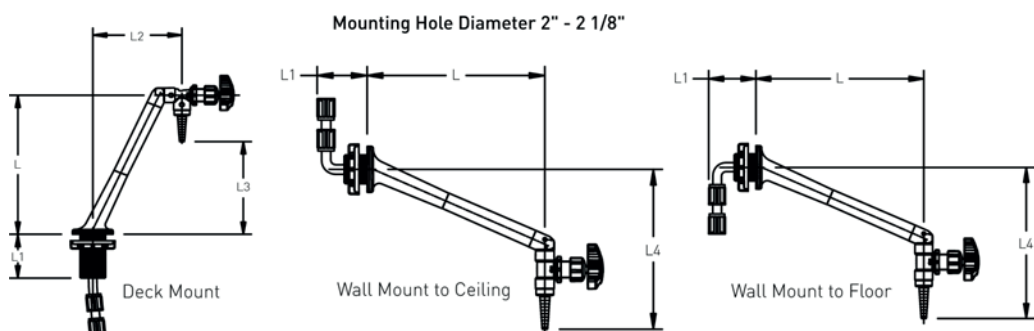
AQUATAP

Type 530 AquaTap Recirculating Laboratory Faucet Made of SYGEF PVDF with 5/8" PFA Tubing and Flare Connections



- The faucet is made from high purity PVDF
- Mounting hole diameter 2" - 2 1/8"

description	PN* [bar]	Code	kg	L [mm]	L1 [mm]	L2 [mm]	L3 [mm]	L4 [mm]
Deck Mount	6	175 530 001	0.850	270	89	152	183	
Wall Mount to Ceiling	6	175 530 002	0.850	270	80			239
Wall Mount to Floor	6	175 530 003	0.850	270	80			239



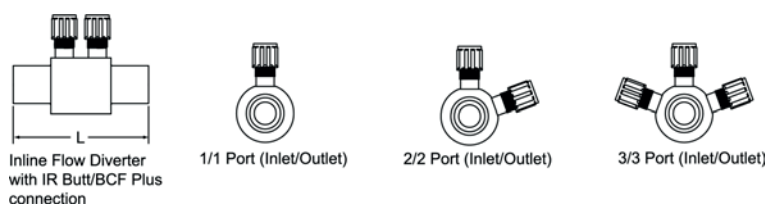
PF 2 76 760 001

PROGEF Standard PP Inline Flow Diverter IR Plus Fusion



- Shipped with nuts and tube blankoffs
- Other dimension available upon request
- NOTE: Inline Flow Diverter is designed to be used with a Georg Fischer Aquatap Faucet and is not sold separately.

d [mm]	L [mm]	PN* [bar]	Ports 1/1 Code	Ports 2/2 Code	Ports 3/3 Code	kg
25	180	10	167 530 123			
32	180	10	167 530 124	167 530 144	167 530 164	0.001
40	180	10	167 530 125	167 530 145	167 530 165	0.001
50	180	10	167 530 126	167 530 146	167 530 166	0.001
63	180	10	167 530 127	167 530 147	167 530 167	0.001
75	180	10	167 530 128	167 530 148	167 530 168	0.001



PF 2 76 755 001

SYGEF PVDF Inline Flow Diverter IR Plus / BCF Plus Fusion

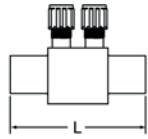


- Shipped with nuts and tube blankoffs
- Other dimension available upon request
- NOTE: Inline Flow Diverter is designed to be used with a Georg Fischer Aquatap Faucet and is not sold separately.

d [mm]	L [mm]	PN* [bar]	Ports 1/1 Code	Ports 2/2 Code	Ports 3/3 Code	kg
25	180	10	175 530 123			
32	180	10	175 530 124	175 530 144	175 530 164	0.001
40	180	10	175 530 125	175 530 145	175 530 165	0.001

table continued next page

d [mm]	L [mm]	PN* [bar]	Ports 1/1 Code	Ports 2/2 Code	Ports 3/3 Code	kg
50	180	10	175 530 126	175 530 146	175 530 166	0.001
63	180	10	175 530 127	175 530 147	175 530 167	0.001
75	180	10	175 530 128	175 530 148	175 530 168	0.001



Inline Flow Diverter
with IR Butt/BCF Plus
connection



1/1 Port (Inlet/Outlet)



2/2 Port (Inlet/Outlet)



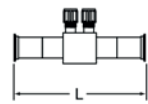
3/3 Port (Inlet/Outlet)

PF 2 76 760 001

SYGEF PVDF Inline Flow Diverter Sanitary Tri-Clamp

- Shipped with nuts and tube blankoffs
- NOTE: Inline Flow Diverter is designed to be used with a Georg Fischer Aquatap Faucet and is not sold separately.

Sanitary [inch]	PN* [bar]	L [mm]	Ports 1/1 Code	Ports 2/2 Code	Ports 3/3 Code	kg
1 1/2"	10	294	175 530 225	175 530 245	175 530 265	0.001
2"	10	316	175 530 226	175 530 246	175 530 266	0.001
2 1/2"	10	314	175 530 227	175 530 247	175 530 267	0.001



Inline with sanitary tri-
clamp connections
flow diverter



1/1 Port (Inlet/Outlet)



2/2 Port (Inlet/Outlet)

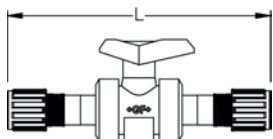


3/3 Port (Inlet/Outlet)

PF 2 76 760 001

Isolation Ball Valve, Flare Adapter

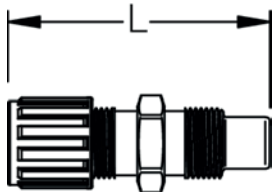
Size	PN* [bar]	L [mm]	PVDF Code	Natural PP Code	kg
5/8" Flare Adapters	6	214	175 530 032	168 530 032	0.001



PF 2 76 760 001

Straight Coupler, Flare Adapter

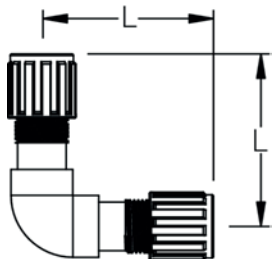
Size	PN* [bar]	L [mm]	PVDF Code	kg
5/8" Flare Adapters	6	75	175 530 011	0.045



PF 2 76 760 001

90° Elbow, Flare Adapter

Size	PN* [bar]	L [mm]	PVDF Code	Natural PP Code	kg
5/8" Flare Adapters	6	85	175 530 012	168 530 012	0.001



PF 2 76 760 001

5/8" Compression Fittings

description	PN*	PVDF	Natural PP	kg
	[bar]	Code	Code	
5/8" Tube x 5/8" Tube Straight Coupler	6	175 530 013	168 530 013	0.001
5/8" Tube x 5/8" Tube 90 Elbow	6	175 530 014	168 530 014	0.001
5/8" Tube x 1/2" Tube MNPT Tee	6	175 530 015	168 530 015	0.001
5/8" Tube x 1/2" Tube NPT Male Adapter	6	175 530 016	168 530 016	0.001
5/8" Tube x 1/2" Tube NPT Female Adapter	6	175 530 017	168 530 017	0.001

PF 2 76 760 001

Flexible 5/8" Tubing

description	PN*	Material	Code
	[bar]		
5/8" dia x 0.65 wall Tubing (Plain)	6	PFA	178 530 001
5/8" dia x 0.65 wall Tubing (Plain)	6	PE	193 530 001

PF 2 76 760 001

Accessories

description	Code	kg
90 Bend Tube Protector	150 530 002	0.001
Tube Clip	150 530 003	0.001
5/8" Flare Nut	175 530 010	0.001
5/8" Tube Blankoff	193 530 010	0.001
Faucet Isolation Clamp	150 530 001	

PF 2 76 760 001

General information, SYGEF PVDF Piping systems for Silicon-Free or Oil-Free requirements

Silicon Free & Oil Free

Whilst the typical demand for Silicon Free piping systems has come from Surface Finish (paint & varnish) applications, there is an increasing demand for specially cleaned valves in other fields. Further to this we see a demand for specific Oil Free products in microelectronics & other critical areas.

High Purity

The SYGEF Plus range of PVDF-HP pipes, fittings and valves effectively fulfils the typical Silicon Free and Oil Free requirements, due to the clean room production, cleaning of fittings & valves, and the double-bag packing under clean room conditions.

Ball Valves, Check Valves

By their nature, Ball Valves and Check Valves are not a High-Purity design. However for demanding requirements we offer a limited range of specially cleaned & packed Silicon Free or Oil Free Ball Valves and Check valves.

Diaphragm Valves

For applications requiring Silicon Free or Oil Free, we advise to use SYGEF Plus diaphragm valves only.

Unions

We advise to use SYGEF Plus unions only. If socket-fusion unions are required, specially cleaned versions are available on request.

Flange Gaskets

We advise to use SYGEF Plus flange gaskets, Silicon Free cleaned Profile flange gaskets, or commercially available High-Purity ePTFE flange gaskets depending on the application.

Cleaning process

The individual parts are cleaned with Deionised Water (14-18M) in a specified process. They are assembled in a dedicated clean working area by hand, with Silicon Free gloves.

Silicon Free Lubricant

Static seals are not lubricated. Seals which are subject to movement will be lightly smeared with a specified Silicon Free lubricant e.g. Synthese PRO AA4.

Oil-Free Lubricant

Static seals are not lubricated. Seals which are subject to movement will be lightly smeared with a specified Perfluoropolyether, Oil Free lubricant e.g. Krytox GPL 105.

Packaging & Labelling

All specially cleaned Silicon Free or Oil Free products are single-packed in sealed bags. The products are labelled.



Maintenance

For reasons of safety & cleanliness, we recommend changing the entire valve body when maintenance is required, & therefore do not offer Silicon Free or Oil Free spare parts.

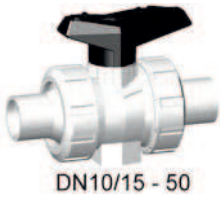
Ball valves silicone free/paint compatible

SYGEF Standard silicone free

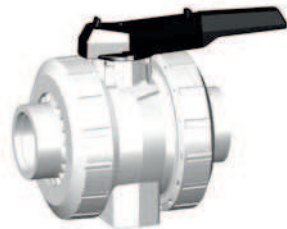
Ball valve type 546

With mounting inserts

With butt fusion spigots IR-Plus metric



DN10/15 - 50

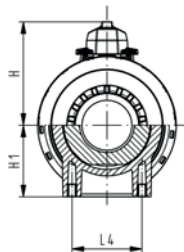
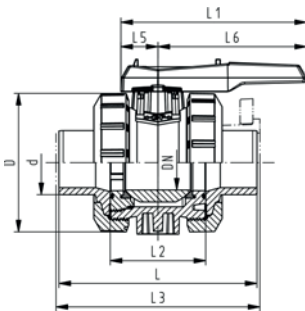
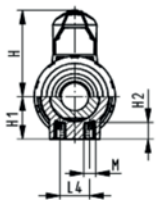
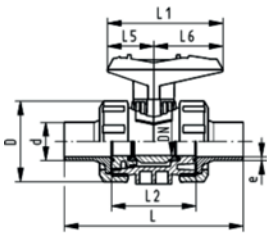


Model:

- Material: PVDF / silicone free cleaned
- Ball seals PVDF
- For easy installation and removal
- Integrated stainless steel mounting inserts
- z-dimension, valve end and union nut are not compatible with type 346

Option:

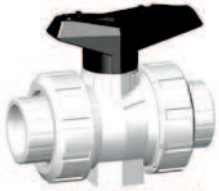
- Individual configuration of the valve (see diagram)
- Multifunctional module with integrated limit switches
- Pneumatic or electric actuators from +GF+



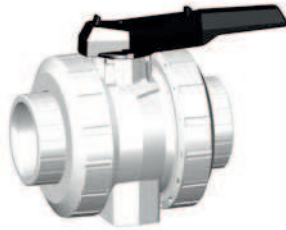
d [mm]	DN [mm]	PN	kv-value ($\Delta p=1$ bar) [l/min]	FPM Code	kg
20	15	16	185	175 546 752	0.201
25	20	16	350	175 546 753	0.310
32	25	16	700	175 546 754	0.460
40	32	16	1000	175 546 755	0.780
50	40	16	1600	175 546 756	1.110
63	50	16	3100	175 546 757	2.150
75	65	16	5000	175 546 758	6.600
90	80	16	7000	175 546 759	9.700
110	100	16	11000	175 546 760	15.300

d [mm]	D [mm]	H [mm]	H1 [mm]	H2 [mm]	L [mm]	L1 [mm]	L2 [mm]	L4 [mm]	L5 [mm]	L6 [mm]	M	e [mm]	closest inch
20	50	57	27	12	130	77	56	25	32	45	M6	1.9	1/2
25	58	67	30	12	143	97	65	25	39	58	M6	1.9	3/4
32	68	73	36	12	150	97	71	25	39	58	M6	2.4	1
40	84	90	44	15	171	128	85	45	54	74	M8	2.4	1 1/4
50	97	97	51	15	191	128	89	45	54	74	M8	3.0	1 1/2
63	124	116	64	15	220	152	101	45	66	87	M8	3.0	2
75	166	149	85	15	266	270	136	70	64	206	M8	3.6	2 1/2
90	200	161	105	15	264	270	141	70	64	206	M8	4.3	3
110	238	178	123	22	301	320	164	120	64	256	M12	5.3	4

PF 2 35 540 801



DN10/15 - 50



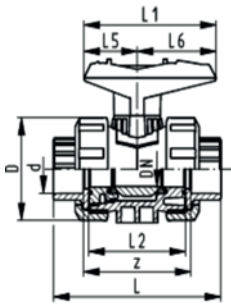
SYGEF Standard oil free Ball valve type 546 With mounting inserts With fusion sockets metric

Model:

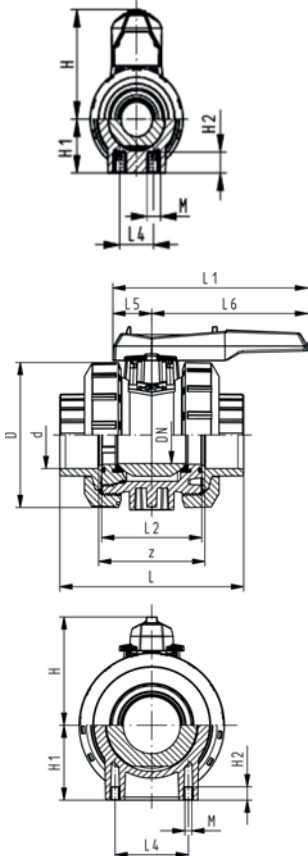
- Material: PVDF / oil free cleaned
- Ball seals PTFE
- For easy installation and removal
- Integrated stainless steel mounting inserts
- z-dimension, valve end and union nut are not compatible with type 346

Option:

- Individual configuration of the valve (see diagram)
- Multifunctional module with integrated limit switches



d [mm]	DN [mm]	PN	kv-value ($\Delta p=1$ bar) [l/min]	FPM Code	kg
16	10	16	71	175 546 471	0.195
20	15	16	185	175 546 472	0.200
25	20	16	350	175 546 473	0.298
32	25	16	700	175 546 474	0.429
40	32	16	1000	175 546 475	0.754
50	40	16	1600	175 546 476	1.009
63	50	16	3100	175 546 477	2.055
75	65	16	5000	175 546 478	6.300
90	80	16	7000	175 546 479	9.500
110	100	16	11000	175 546 480	15.000

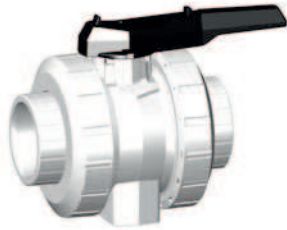


d [mm]	D [mm]	H [mm]	H1 [mm]	H2 [mm]	L [mm]	L1 [mm]	L2 [mm]	L4 [mm]	L5 [mm]	L6 [mm]	M	z [mm]	closest inch
16	50	57	27	12	93	77	56	25	32	45	M6	67	3/8
20	50	57	27	12	95	77	56	25	32	45	M6	66	1/2
25	58	67	30	12	109	97	65	25	39	58	M6	77	3/4
32	68	73	36	12	119	97	71	25	39	58	M6	83	1
40	84	90	44	15	135	128	85	45	54	74	M8	99	1 1/4
50	97	97	51	15	147	128	89	45	54	74	M8	105	1 1/2
63	124	116	64	15	168	152	101	45	66	87	M8	117	2
75	166	149	85	15	233	270	136	70	64	206	M8	167	2 1/2
90	200	161	105	15	254	270	141	70	64	206	M8	180	3
110	238	178	123	22	301	320	164	120	64	256	M12	215	4

PF 2 35 540 801



DN10/15 - 50



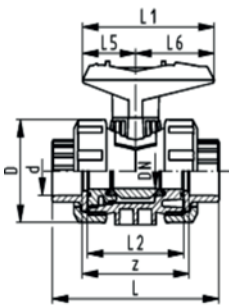
SYGEF Standard silicone free Ball valve type 546 With mounting inserts With fusion sockets metric

Model:

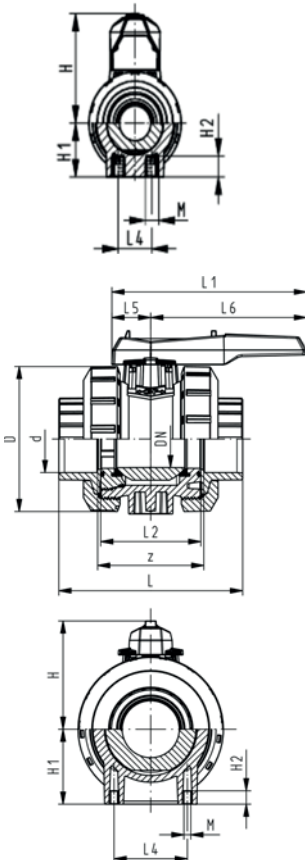
- Material: PVDF / silicone free cleaned
- Ball seals PVDF
- For easy installation and removal
- Integrated stainless steel mounting inserts
- z-dimension, valve end and union nut are not compatible with type 346

Option:

- Individual configuration of the valve (see diagram)
- Multifunctional module with integrated limit switches
- Pneumatic or electric actuators from +GF+

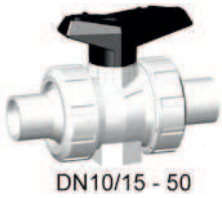


d [mm]	DN [mm]	PN	kv-value ($\Delta p=1$ bar) [l/min]	FPM Code	kg
16	10	16	71	175 546 691	0.195
20	15	16	185	175 546 692	0.200
25	20	16	350	175 546 693	0.300
32	25	16	700	175 546 694	0.440
40	32	16	1000	175 546 695	0.760
50	40	16	1600	175 546 696	1.060
63	50	16	3100	175 546 697	2.055
75	65	16	5000	175 546 698	6.300
90	80	16	7000	175 546 699	9.500
110	100	16	11000	175 546 700	15.000

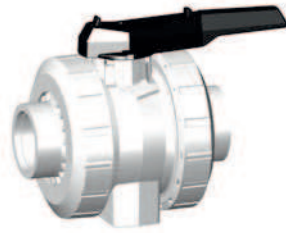


d [mm]	D [mm]	H [mm]	H1 [mm]	H2 [mm]	L [mm]	L1 [mm]	L2 [mm]	L4 [mm]	L5 [mm]	L6 [mm]	M	z [mm]	closest inch
16	50	79	27	12	93	77	56	25	32	45	M6	67	3/8
20	50	57	27	12	95	77	56	25	32	45	M6	66	1/2
25	58	67	30	12	109	97	65	25	39	58	M6	77	3/4
32	68	73	36	12	119	97	71	25	39	58	M6	83	1
40	84	90	44	15	135	128	85	45	54	74	M8	99	1 1/4
50	97	97	51	15	147	128	89	45	54	74	M8	105	1 1/2
63	124	116	64	15	168	152	101	45	66	87	M8	117	2
75	166	149	85	15	233	270	136	70	64	206	M8	167	2 1/2
90	200	161	105	15	254	270	141	70	64	206	M8	180	3
110	238	178	123	22	301	320	164	120	64	256	M12	215	4

PF 2 35 540 801



DN10/15 - 50



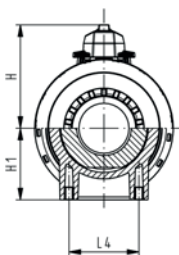
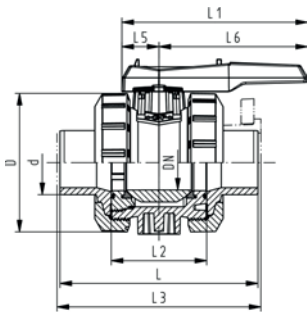
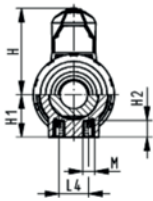
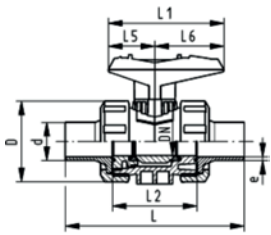
SYGEF Standard oil free Ball valve type 546 With mounting inserts With butt fusion spigots IR-Plus metric

Model:

- Material: PVDF / oil free cleaned
- Union ends for easy installation and removal
- Integrated stainless steel mounting inserts
- z-dimension, valve end and union nut are not compatible with type 346

Option:

- Individual configuration of the valve (see diagram)
- Multifunctional module with integrated limit switches
- Pneumatic or electric actuators from +GF+



d [mm]	DN [mm]	PN	kv-value ($\Delta p=1$ bar) [l/min]	FPM Code	kg
20	15	16	185	175 546 492	0.202
25	20	16	350	175 546 493	0.301
32	25	16	700	175 546 494	0.438
40	32	16	1000	175 546 495	0.780
50	40	16	1600	175 546 496	1.057
63	50	16	3100	175 546 497	2.150
75	65	16	5000	175 546 498	6.600
90	80	16	7000	175 546 499	9.700
110	100	16	11000	175 546 500	15.300

d [mm]	D [mm]	H [mm]	H1 [mm]	H2 [mm]	L [mm]	L1 [mm]	L2 [mm]	L4 [mm]	L5 [mm]	L6 [mm]	M	e [mm]	closest inch
20	50	57	27	12	130	77	56	25	32	45	M6	1.9	1/2
25	58	67	30	12	143	97	65	25	39	58	M6	1.9	3/4
32	68	73	36	12	150	97	71	25	39	58	M6	2.4	1
40	84	90	44	15	171	128	85	45	54	74	M8	2.4	1 1/4
50	97	97	51	15	191	128	89	45	54	74	M8	3.0	1 1/2
63	124	116	64	15	220	152	101	45	66	87	M8	3.0	2
75	166	149	85	15	266	270	136	70	64	206	M8	3.6	2 1/2
90	200	161	105	15	264	270	141	70	64	206	M8	4.3	3
110	238	178	123	22	301	320	164	120	64	256	M12	5.3	4

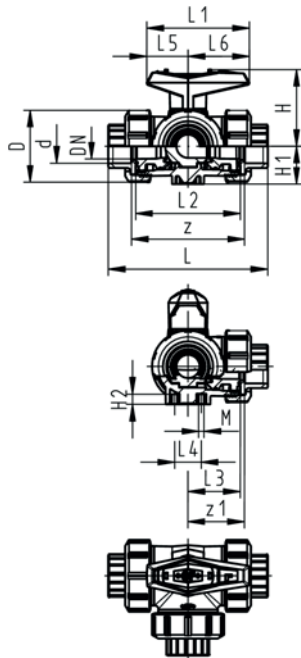
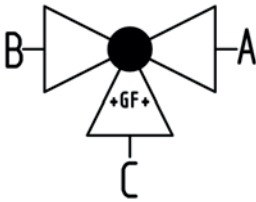
PF 2 35 540 801



SYGEF Standard silicone free 3-Way ball valve type 543 Horizontal/L-port With fusion sockets metric

Model:

- Material: PVDF / silicone free cleaned
- For easy installation and removal (valve end and union nut are compatible with type 546)
- Pneumatic or electric actuator available separately
- Angle of operation 360° without turn limiter
- Turn limiter 90° enclosed, in different positions usable as a clip-on ring
- Integrated stainless steel mounting inserts
- Delivery status A-C opened, see flow scheme
- Ball seals PVDF



d [mm]	DN [mm]	PN	kv-value ($\Delta p=1$ bar) [l/min]	FPM Code	kg
16	10	10	50	175 543 211	0.312
20	15	10	75	175 543 212	0.320
25	20	10	150	175 543 213	0.461
32	25	10	280	175 543 214	0.704
40	32	10	480	175 543 215	1.199
50	40	10	620	175 543 216	1.778
63	50	10	1230	175 543 217	3.462

d [mm]	D [mm]	L [mm]	L1 [mm]	L2 [mm]	L3 [mm]	L4 [mm]	L5 [mm]	L6 [mm]	H [mm]	H1 [mm]	H2 [mm]	M	z [mm]	z1 [mm]	closest inch
16	50	110	77	72	36	25	32	45	57	28	8	6	82	41	3/8
20	50	112	77	72	36	25	32	45	57	28	8	6	82	41	1/2
25	58	129	97	85	43	25	39	58	67	32	8	6	97	49	3/4
32	68	146	97	98	49	25	39	58	73	36	8	6	110	55	1
40	84	170	128	118	59	45	54	74	90	45	9	8	132	66	1 1/4
50	97	193	128	135	68	45	54	74	97	51	9	8	151	76	1 1/2
63	124	244	152	176	88	45	66	87	116	65	9	8	188	94	2

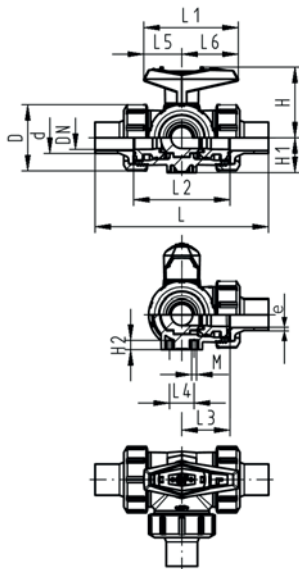
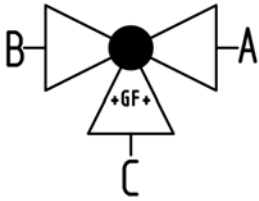
PF 2 35 735 801



SYGEF Standard silicone free 3-Way ball valve type 543 Horizontal/L-port With butt fusion spigots IR-Plus metric

Model:

- Material: PVDF / silicone free cleaned
- For easy installation and removal (valve end and union nut are compatible with type 546)
- Pneumatic or electric actuator available separately
- Angle of operation 360° without turn limiter
- Turn limiter 90° enclosed, in different positions usable as a clip-on ring
- Integrated stainless steel mounting inserts
- Delivery status A-C opened, see flow scheme
- Ball seals PVDF



d [mm]	DN [mm]	PN	kv-value ($\Delta p=1$ bar) [l/min]	FPM Code	kg
20	15	10	75	175 543 252	0.332
25	20	10	150	175 543 253	0.480
32	25	10	280	175 543 254	0.735
40	32	10	480	175 543 255	1.226
50	40	10	620	175 543 256	1.859
63	50	10	1230	175 543 257	3.624

d [mm]	D [mm]	L [mm]	L1 [mm]	L2 [mm]	L3 [mm]	L4 [mm]	L5 [mm]	L6 [mm]	H [mm]	H1 [mm]	H2 [mm]	M [mm]	e [mm]	closest inch
20	50	146	77	72	36	25	32	45	57	28	8	6	1.9	1/2
25	58	163	97	85	43	25	39	58	67	32	8	6	1.9	3/4
32	68	178	97	98	49	25	39	58	73	36	8	6	2.4	1
40	84	204	128	118	59	45	54	74	90	45	9	8	2.4	1 1/4
50	97	237	128	135	68	45	54	74	97	51	9	8	3.0	1 1/2
63	124	296	152	176	88	45	66	87	116	65	9	8	3.0	2

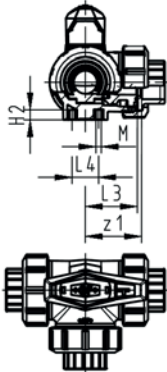
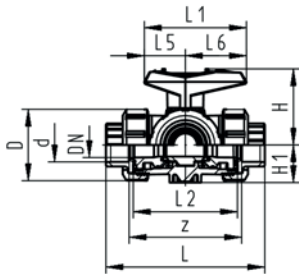
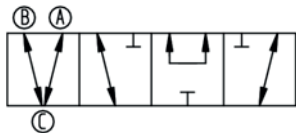
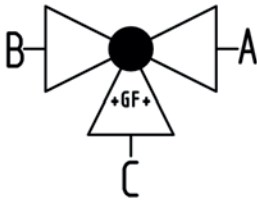
PF 2 35 735 801



SYGEF Standard silicone free 3-Way ball valve type 543 Horizontal/T-port With fusion sockets metric

Model:

- Material: PVDF / silicone free cleaned
- For easy installation and removal (valve end and union nut are compatible with type 546)
- Pneumatic or electric actuator available separately
- Angle of operation 360° without turn limiter
- Turn limiter 90° enclosed, in different positions usable as a clip-on ring
- Integrated stainless steel mounting inserts
- Delivery status A-B-C opened, see flow scheme
- Ball seals PVDF



d [mm]	DN [mm]	PN	kv-value ($\Delta p=1$ bar) [l/min]	FPM Code	kg
16	10	10	140	175 543 311	0.311
20	15	10	200	175 543 312	0.319
25	20	10	470	175 543 313	0.458
32	25	10	793	175 543 314	0.695
40	32	10	1290	175 543 315	1.185
50	40	10	1910	175 543 316	1.751
63	50	10	3100	175 543 317	3.405

d [mm]	D [mm]	L [mm]	L1 [mm]	L2 [mm]	L3 [mm]	L4 [mm]	L5 [mm]	L6 [mm]	H [mm]	H1 [mm]	H2 [mm]	M	z [mm]	z1 [mm]	closest inch
16	50	110	77	72	36	25	32	45	57	28	8	6	82	41	3/8
20	50	112	77	72	36	25	32	45	57	28	8	6	82	41	1/2
25	58	129	97	85	43	25	39	58	67	32	8	6	97	49	3/4
32	68	146	97	98	49	25	39	58	73	36	8	6	110	55	1
40	84	170	128	118	59	45	54	74	90	45	9	8	132	66	1 1/4
50	97	193	128	135	68	45	54	74	97	51	9	8	151	76	1 1/2
63	124	244	152	176	88	45	66	87	116	65	9	8	188	94	2

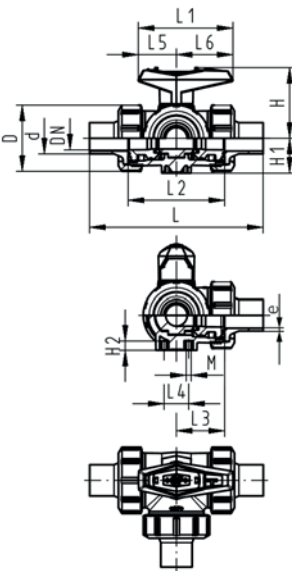
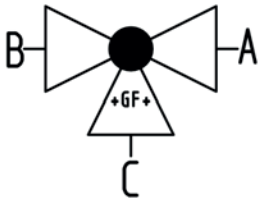
PF 2 35 735 801



SYGEF Standard silicone free 3-Way ball valve type 543 Horizontal/T-port With butt fusion spigots IR-Plus metric

Model:

- Material: PVDF / silicone free cleaned
- For easy installation and removal (valve end and union nut are compatible with type 546)
- Pneumatic or electric actuator available separately
- Angle of operation 360° without turn limiter
- Turn limiter 90° enclosed, in different positions usable as a clip-on ring
- Integrated stainless steel mounting inserts
- Delivery status A-B-C opened, see flow scheme
- Ball seals PVDF



d [mm]	DN [mm]	PN	kv-value ($\Delta p=1$ bar) [l/min]	FPM Code	kg
20	15	10	200	175 543 352	0.330
25	20	10	470	175 543 353	0.478
32	25	10	793	175 543 354	0.726
40	32	10	1290	175 543 355	1.212
50	40	10	1910	175 543 356	1.832
63	50	10	3100	175 543 357	3.566

d [mm]	D [mm]	L [mm]	L1 [mm]	L2 [mm]	L3 [mm]	L4 [mm]	L5 [mm]	L6 [mm]	H [mm]	H1 [mm]	H2 [mm]	M	e [mm]	closest inch
20	50	146	77	72	36	25	32	45	57	28	8	6	1.9	1/2
25	58	163	97	85	43	25	39	58	67	32	8	6	1.9	3/4
32	68	178	97	98	49	25	39	58	73	36	8	6	2.4	1
40	84	204	128	118	59	45	54	74	90	45	9	8	2.4	1 1/4
50	97	237	128	135	68	45	54	74	97	51	9	8	3.0	1 1/2
63	124	296	152	176	88	45	66	87	116	65	9	8	3.0	2

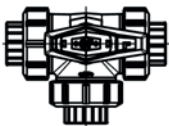
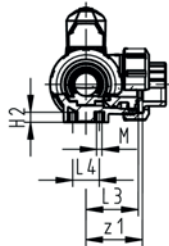
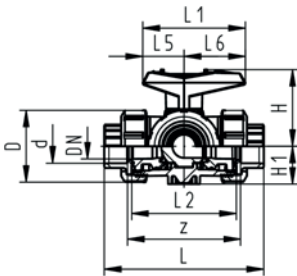
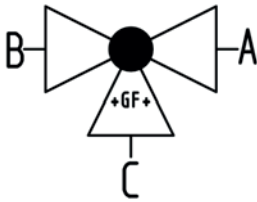
PF 2 35 735 801



SYGEF Standard oil free 3-Way ball valve type 543 Horizontal/L-port With fusion sockets metric

Model:

- Material: PVDF / oil free cleaned
- For easy installation and removal (valve end and union nut are compatible with type 546)
- Ball seals PTFE
- Pneumatic or electric actuator available separately
- Angle of operation 360° without turn limiter
- Turn limiter 90° enclosed, in different positions usable as a clip-on ring
- Integrated stainless steel mounting inserts
- Delivery status A-C opened, see flow scheme



d [mm]	DN [mm]	PN	kv-value ($\Delta p=1$ bar) [l/min]	FPM Code	kg
16	10	10	50	175 543 611	0.312
20	15	10	75	175 543 612	0.320
25	20	10	150	175 543 613	0.423
32	25	10	280	175 543 614	0.653
40	32	10	480	175 543 615	1.121
50	40	10	620	175 543 616	1.778
63	50	10	1230	175 543 617	3.462

d [mm]	D [mm]	L [mm]	L1 [mm]	L2 [mm]	L3 [mm]	L4 [mm]	L5 [mm]	L6 [mm]	H [mm]	H1 [mm]	H2 [mm]	M	z [mm]	z1 [mm]	closest inch
16	50	110	77	72	36	25	32	45	57	28	8	6	82	41	3/8
20	50	112	77	72	36	25	32	45	57	28	8	6	82	41	1/2
25	58	129	97	85	43	25	39	58	67	32	8	6	97	49	3/4
32	68	146	97	98	49	25	39	58	73	36	8	6	110	55	1
40	84	170	128	118	59	45	54	74	90	45	9	8	132	66	1 1/4
50	97	193	128	135	68	45	54	74	97	51	9	8	151	76	1 1/2
63	124	244	152	176	88	45	66	87	116	65	9	8	188	94	2

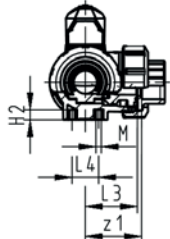
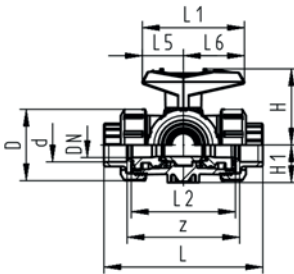
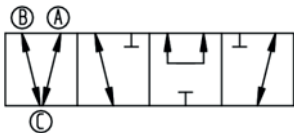
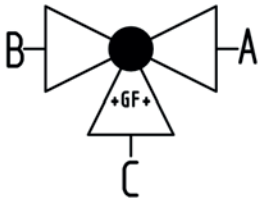
PF 2 35 735 801



SYGEF Standard oil free 3-Way ball valve type 543 Horizontal/T-port With fusion sockets metric

Model:

- Material: PVDF / oil free cleaned
- For easy installation and removal (valve end and union nut are compatible with type 546)
- Ball seals PTFE
- Pneumatic or electric actuator available separately
- Angle of operation 360° without turn limiter
- Turn limiter 90° enclosed, in different positions usable as a clip-on ring
- Integrated stainless steel mounting inserts
- Delivery status A-B-C opened, see flow scheme



d [mm]	DN [mm]	PN	kv-value ($\Delta p=1$ bar) [l/min]	FPM Code	kg
16	10	10	140	175 543 631	0.311
20	15	10	200	175 543 632	0.319
25	20	10	470	175 543 633	0.458
32	25	10	793	175 543 634	0.695
40	32	10	1290	175 543 635	1.185
50	40	10	1910	175 543 636	1.751
63	50	10	3100	175 543 637	3.405

d [mm]	D [mm]	L [mm]	L1 [mm]	L2 [mm]	L3 [mm]	L4 [mm]	L5 [mm]	L6 [mm]	H [mm]	H1 [mm]	H2 [mm]	M	z [mm]	z1 [mm]	closest inch
16	50	110	77	72	36	25	32	45	57	28	8	6	82	41	3/8
20	50	112	77	72	36	25	32	45	57	28	8	6	82	41	1/2
25	58	129	97	85	43	25	39	58	67	32	8	6	97	49	3/4
32	68	146	97	98	49	25	39	58	73	36	8	6	110	55	1
40	84	170	128	118	59	45	54	74	90	45	9	8	132	66	1 1/4
50	97	193	128	135	68	45	54	74	97	51	9	8	151	76	1 1/2
63	124	244	152	176	88	45	66	87	116	65	9	8	188	94	2

PF 2 35 735 801

Cone check valves silicone free

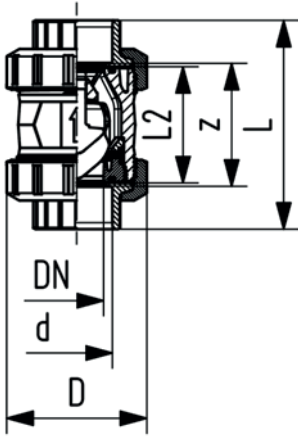
SYGEF Standard silicone free Check valve type 561 With fusion sockets metric



Model:

- Material: PVDF / silicone free cleaned
- Designed for easy installation and removal
- Sealing at a minimum water column of 2m
- Vibration free even at high flow velocity
- Flow-optimized return cone, double guided
- For horizontal or vertical installation
- Compact installation length, same as ball valve type 546
- Z-length, end connectors and union nuts **not** compatible with type 360

Warning: please make sure the diameter is not reduced through welding beads (Danger of turbulences)



PF 2 35 990 211

d [mm]	DN [mm]	PN	kv-value ($\Delta p=1$ bar) [l/min]	FPM Code	kg	D [mm]	L [mm]	L2 [mm]	z [mm]	closest inch
16	10	16	190	175 561 211	0.160	50	93	56	67	3/8
20	15	16	180	175 561 212	0.160	50	95	56	66	1/2
25	20	16	380	175 561 213	0.340	58	109	65	77	3/4
32	25	16	460	175 561 214	0.360	68	119	71	83	1
40	32	16	850	175 561 215	0.670	84	135	85	99	1 1/4
50	40	16	1080	175 561 216	0.990	97	147	89	105	1 1/2
63	50	16	1670	175 561 217	1.770	124	168	101	117	2
75	65	16	2950	175 561 218	3.630	166	235	136	167	2 1/2
90	80	16	3600	175 561 219	5.800	200	255	141	180	3
110	100	16	4150	175 561 220	9.450	238	305	164	215	4

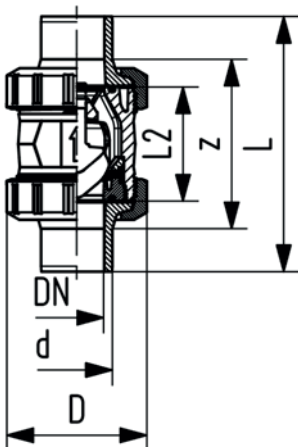
SYGEF Standard silicone free Check valve type 561 With socket fusion spigots metric



Model:

- Material: PVDF / silicone free cleaned
- Designed for easy installation and removal
- Sealing at a minimum water column of 2m
- Vibration free even at high flow velocity
- Flow-optimized return cone, double guided
- For horizontal or vertical installation
- Compact installation length, same as ball valve type 546
- Z-length, end connectors and union nuts **not** compatible with type 360

Warning: please make sure the diameter is not reduced through welding beads (Danger of turbulences)



PF 2 35 990 211

d [mm]	DN [mm]	PN	kv-value ($\Delta p=1$ bar) [l/min]	FPM Code	kg	D [mm]	L [mm]	L2 [mm]	closest inch
20	15	16	180	175 561 232	0.170	50	120	56	1/2
25	20	16	380	175 561 233	0.370	58	139	65	3/4
32	25	16	460	175 561 234	0.400	68	150	71	1
40	32	16	850	175 561 235	0.670	84	170	85	1 1/4
50	40	16	1080	175 561 236	1.030	97	190	89	1 1/2
63	50	16	1670	175 561 237	1.830	124	220	101	2

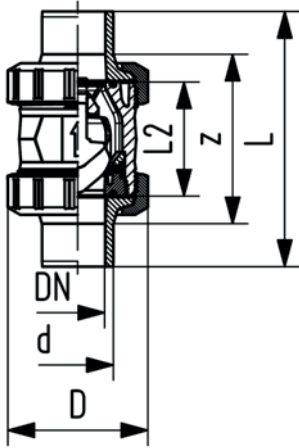


SYGEF Standard silicone free Check valve type 561 With butt fusion spigots IR-Plus metric

Model:

- Material: PVDF / silicone free cleaned
- Designed for easy installation and removal
- Sealing at a minimum water column of 2m
- Vibration free even at high flow velocity
- Flow-optimized return cone, double guided
- For horizontal or vertical installation
- Compact installation length, same as ball valve type 546
- Z-length, end connectors and union nuts **not** compatible with type 360

Warning: please make sure the diameter is not reduced through welding beads (Danger of turbulences)



d [mm]	DN [mm]	PN	kv-value ($\Delta p=1$ bar) [l/min]	FPM Code	kg	D [mm]	L [mm]	L2 [mm]	e [mm]	closest inch
20	15	16	180	175 561 272	0.160	50	130	56	1.9	½
25	20	16	380	175 561 273	0.350	58	143	65	1.9	¾
32	25	16	460	175 561 274	0.380	68	150	71	2.4	1
40	32	16	850	175 561 275	0.660	84	171	85	2.4	1 ¼
50	40	16	1080	175 561 276	1.000	97	191	89	3.0	1 ½
63	50	16	1670	175 561 277	1.790	124	220	101	3.0	2
75	65	16	2950	175 561 278	3.680	166	290	136	3.6	2 ½
90	80	16	3600	175 561 279	5.760	200	310	141	4.3	3
110	100	16	4150	175 561 280	9.270	238	350	164	5.3	4

PF 2 35 990 211

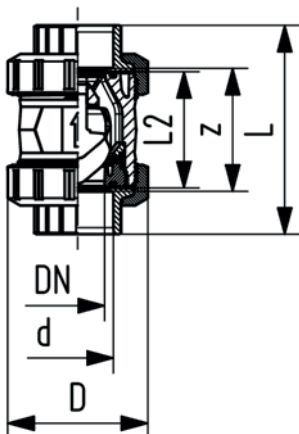


SYGEF Standard silicone free Check valve type 562 With fusion sockets metric

Model:

- Material: PVDF / silicone free cleaned
- Spring loaded, spring made of stainless steel (1.4310)
- Spring available in other materials, see spare parts
- Designed for easy installation and removal
- Sealing at a minimum water column of 0.5m
- Vibration free even at high flow velocity
- Flow-optimized return cone, double guided
- For horizontal or vertical installation
- Compact installation length, same as ball valve type 546
- Z-length, end connectors and union nuts **not** compatible with type 360

Warning: please make sure the diameter is not reduced through welding beads (Danger of turbulences)



d [mm]	DN [mm]	PN	kv-value ($\Delta p=1$ bar) [l/min]	FPM Code	kg	D [mm]	L [mm]	L2 [mm]	z [mm]	closest inch
16	10	16	190	175 562 211	0.160	50	93	56	67	¾
20	15	16	180	175 562 212	0.160	50	95	56	66	½
25	20	16	380	175 562 213	0.340	58	109	65	77	¾
32	25	16	460	175 562 214	0.360	68	119	71	83	1
40	32	16	850	175 562 215	0.670	84	135	85	99	1 ¼
50	40	16	1080	175 562 216	0.990	97	147	89	105	1 ½
63	50	16	1670	175 562 217	1.770	124	168	101	117	2
75	65	16	2950	175 562 218	3.630	166	235	136	167	2 ½
90	80	16	3600	175 562 219	5.800	200	255	141	180	3
110	100	16	4150	175 562 220	9.450	238	305	164	215	4

PF 2 35 990 111

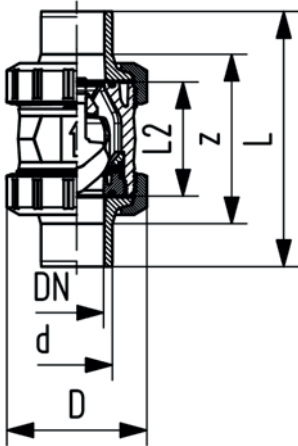


SYGEF Standard silicone free Check valve type 562 With socket fusion spigots metric

Model:

- Material: PVDF / silicone free cleaned
- Spring loaded, spring made of stainless steel (1.4310)
- Spring available in other materials, see spare parts
- Designed for easy installation and removal
- Sealing at a minimum water column of 0.5m
- Vibration free even at high flow velocity
- Flow-optimized return cone, double guided
- For horizontal or vertical installation
- Compact installation length, same as ball valve type 546
- Z-length, end connectors and union nuts **not** compatible with type 360

Warning: please make sure the diameter is not reduced through welding beads (Danger of turbulences)



d [mm]	DN [mm]	PN	kv-value ($\Delta p=1$ bar) [l/min]	FPM Code	kg	D [mm]	L [mm]	L2 [mm]	closest inch
20	15	16	180	175 562 232	0.170	50	120	56	½
25	20	16	380	175 562 233	0.370	58	139	65	¾
32	25	16	460	175 562 234	0.400	68	150	71	1
40	32	16	850	175 562 235	0.670	84	170	85	1 ¼
50	40	16	1080	175 562 236	1.030	97	190	89	1 ½
63	50	16	1670	175 562 237	1.830	124	220	101	2

PF 2 35 990 111

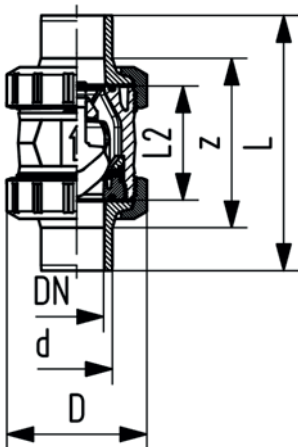


SYGEF Standard silicone free Check valve type 562 With butt fusion spigots IR-Plus metric

Model:

- Material: PVDF / silicone free cleaned
- Spring loaded, spring made of stainless steel (1.4310)
- Spring available in other materials, see spare parts
- Designed for easy installation and removal
- Sealing at a minimum water column of 0.5m
- Vibration free even at high flow velocity
- Flow-optimized return cone, double guided
- For horizontal or vertical installation
- Compact installation length, same as ball valve type 546
- Z-length, end connectors and union nuts **not** compatible with type 360

Warning: please make sure the diameter is not reduced through welding beads (Danger of turbulences)



d [mm]	DN [mm]	PN	kv-value ($\Delta p=1$ bar) [l/min]	FPM Code	kg	D [mm]	L [mm]	L2 [mm]	e [mm]	closest inch
20	15	16	180	175 562 272	0.160	50	130	56	1.9	½
25	20	16	380	175 562 273	0.350	58	143	65	1.9	¾
32	25	16	460	175 562 274	0.380	68	150	71	2.4	1
40	32	16	850	175 562 275	0.660	84	171	85	2.4	1 ¼
50	40	16	1080	175 562 276	1.000	97	191	89	3.0	1 ½
63	50	16	1670	175 562 277	1.790	124	220	101	3.0	2
75	65	16	2950	175 562 278	3.680	166	290	136	3.6	2 ½
90	80	16	3600	175 562 279	5.760	200	310	141	4.3	3
110	100	16	4150	175 562 280	9.270	238	350	164	5.3	4

PF 2 35 990 111

Ball valves electric

SYGEF Standard

Ball valve type 107 100-230V

With manual emergency override

With fusion sockets metric



DN10/15 - 50

Model:

- Material: PVDF
- Built on with electric actuator EA11
- Voltage 100-230 V, 50-60 Hz
- Control range 90°<
- Control time 5 s/90°<
- For easy installation and removal
- Integrated stainless steel mounting inserts

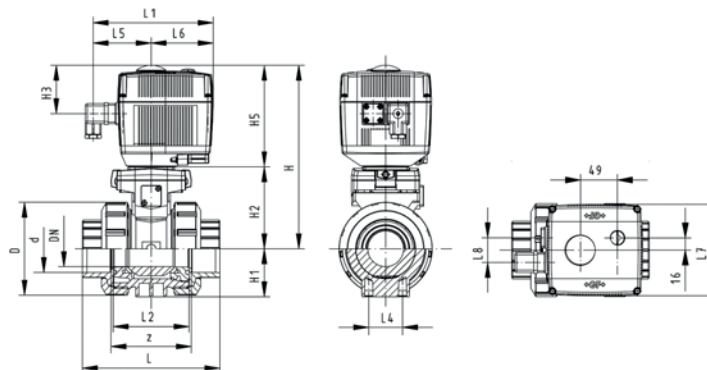
Option:

- Individual configuration of the valve (see diagram)

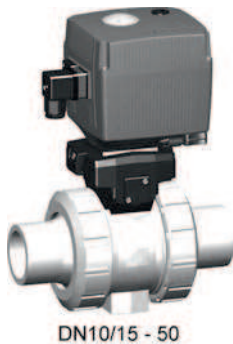
d [mm]	DN [mm]	PN	kv-value ($\Delta p=1$ bar) [l/min]	FPM Code	kg
16	10	10	70	199 107 802	2.100
20	15	10	185	199 107 803	2.100
25	20	10	350	199 107 804	2.200
32	25	10	700	199 107 805	2.300
40	32	10	1000	199 107 806	2.600
50	40	10	1600	199 107 807	3.000
63	50	10	3100	199 107 808	3.800

d [mm]	D [mm]	H [mm]	H1 [mm]	H2 [mm]	H3 [mm]	H5 [mm]	L [mm]	L1 [mm]	L2 [mm]	L4 [mm]	L5 [mm]	L6 [mm]	L7 [mm]	L8 [mm]	z [mm]
16	50	200	27	64	64	137	92	161	56	25	79	83	122	67	64
20	50	200	27	64	64	137	95	161	56	25	79	83	122	67	64
25	58	209	30	73	64	137	110	161	65	25	79	83	122	67	72
32	68	209	36	73	64	137	123	161	71	25	79	83	122	67	79
40	84	220	44	84	64	137	146	161	85	45	79	83	122	67	94
50	97	220	51	84	64	137	157	161	89	45	79	83	122	67	95
63	124	243	64	106	64	137	183	161	101	45	79	83	122	67	107

d [mm]	closest inch
16	3/8
20	1/2
25	3/4
32	1
40	1 1/4
50	1 1/2
63	2



PF 3 39 695 035



SYGEF Standard Ball valve type 107 100-230V With manual emergency override With socket fusion spigots metric

Model:

- Material: PVDF
- Built on with electric actuator EA11
- Voltage 100-230 V, 50-60 Hz
- Control range 90°<
- Control time 5 s/90°<
- For easy installation and removal
- Integrated stainless steel mounting inserts

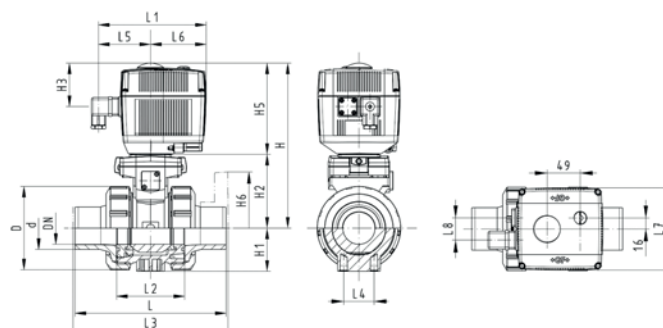
Option:

- Individual configuration of the valve (see diagram)

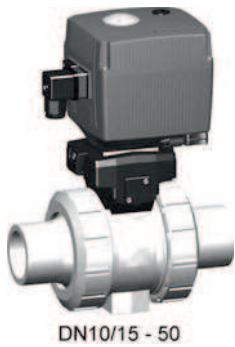
d [mm]	DN [mm]	PN	kv-value ($\Delta p=1$ bar) [l/min]	FPM Code	kg
16	10	10	70	199 107 812	2.100
20	15	10	185	199 107 813	2.100
25	20	10	350	199 107 814	2.200
32	25	10	700	199 107 815	2.300
40	32	10	1000	199 107 816	2.600
50	40	10	1600	199 107 817	3.000
63	50	10	3100	199 107 818	3.800

d [mm]	D [mm]	H [mm]	H1 [mm]	H2 [mm]	H3 [mm]	H5 [mm]	L [mm]	L1 [mm]	L2 [mm]	L3 [mm]	L4 [mm]	L5 [mm]	L6 [mm]	L7 [mm]	L8 [mm]
16	50	200	27	64	64	137	114	161	56	0	25	79	83	122	67
20	50	200	27	64	64	137	124	161	56	130	25	79	83	122	67
25	58	209	30	73	64	137	144	161	65	150	25	79	83	122	67
32	68	209	36	73	64	137	154	161	71	160	25	79	83	122	67
40	84	220	44	84	64	137	174	161	85	180	45	79	83	122	67
50	97	220	51	84	64	137	194	161	89	200	45	79	83	122	67
63	124	243	64	106	64	137	224	161	101	230	45	79	83	122	67

d [mm]	closest inch
16	3/8
20	1/2
25	3/4
32	1
40	1 1/4
50	1 1/2
63	2



PF 3 39 695 035



SYGEF Standard Ball valve type 107 100-230V With manual emergency override With butt fusion spigots IR-Plus metric

Model:

- Material: PVDF
- Built on with electric actuator EA11
- Voltage 100-230 V, 50-60 Hz
- Control range 90°<
- Control time 5 s/90°<
- For easy installation and removal
- Integrated stainless steel mounting inserts

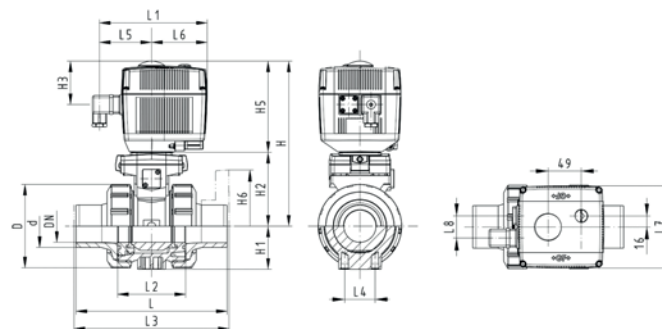
Option:

- Individual configuration of the valve (see diagram)

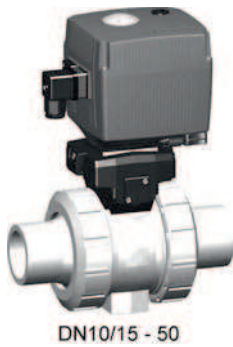
d [mm]	DN [mm]	PN	kv-value ($\Delta p=1$ bar) [l/min]	FPM Code	kg
20	15	10	185	199 107 423	2.100
25	20	10	350	199 107 424	2.200
32	25	10	700	199 107 425	2.300
40	32	10	1000	199 107 426	2.600
50	40	10	1600	199 107 427	3.000
63	50	10	3100	199 107 428	3.981

d [mm]	D [mm]	H [mm]	H1 [mm]	H2 [mm]	H3 [mm]	H5 [mm]	L [mm]	L1 [mm]	L2 [mm]	L4 [mm]	L5 [mm]	L6 [mm]	L7 [mm]	L8 [mm]
20	50	200	27	64	64	137	130	161	56	25	79	83	122	67
25	58	209	30	73	64	137	143	161	65	25	79	83	122	67
32	68	209	36	73	64	137	150	161	71	25	79	83	122	67
40	84	220	44	84	64	137	171	161	85	45	79	83	122	67
50	97	220	51	84	64	137	191	161	89	45	79	83	122	67
63	124	243	64	106	64	137	220	161	101	45	79	83	122	67

d [mm]	closest inch
20	1/2
25	3/4
32	1
40	1 1/4
50	1 1/2
63	2



PF 3 39 695 035



SYGEF Standard Ball valve type 107 24V With manual emergency override With butt fusion spigots IR-Plus metric

Model:

- Material: PVDF
- Built on with electric actuator EA11
- Voltage 24 V AC/DC
- Control range 90°<
- Control time 5 s/90°<
- For easy installation and removal
- Integrated stainless steel mounting inserts

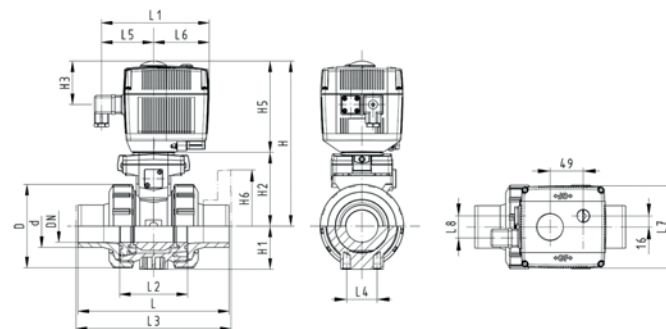
Option:

- Individual configuration of the valve (see diagram)

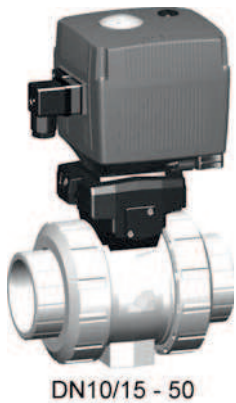
d [mm]	DN [mm]	PN	kv-value ($\Delta p=1$ bar) [l/min]	FPM Code	kg
20	15	10	185	199 107 433	2.100
25	20	10	350	199 107 434	2.200
32	25	10	700	199 107 435	2.300
40	32	10	1000	199 107 436	2.600
50	40	10	1600	199 107 437	3.000
63	50	10	3100	199 107 438	3.800

d [mm]	D [mm]	H [mm]	H1 [mm]	H2 [mm]	H3 [mm]	H5 [mm]	L [mm]	L1 [mm]	L2 [mm]	L4 [mm]	L5 [mm]	L6 [mm]	L7 [mm]	L8 [mm]
20	50	200	27	64	64	137	130	161	56	25	79	83	122	67
25	58	209	30	73	64	137	143	161	65	25	79	83	122	67
32	68	209	36	73	64	137	150	161	71	25	79	83	122	67
40	84	220	44	84	64	137	171	161	85	45	79	83	122	67
50	97	220	51	84	64	137	191	161	89	45	79	83	122	67
63	124	243	64	106	64	137	220	161	101	45	79	83	122	67

d [mm]	closest inch
20	1/2
25	3/4
32	1
40	1 1/4
50	1 1/2
63	2



PF 3 39 695 035



SYGEF Standard Ball valve type 107 24V With manual emergency override With fusion sockets metric

Model:

- Material: PVDF
- Built on with electric actuator EA11
- Voltage 24 V AC/DC
- Control range 90°<
- Control time 5 s/90°<
- For easy installation and removal
- Integrated stainless steel mounting inserts

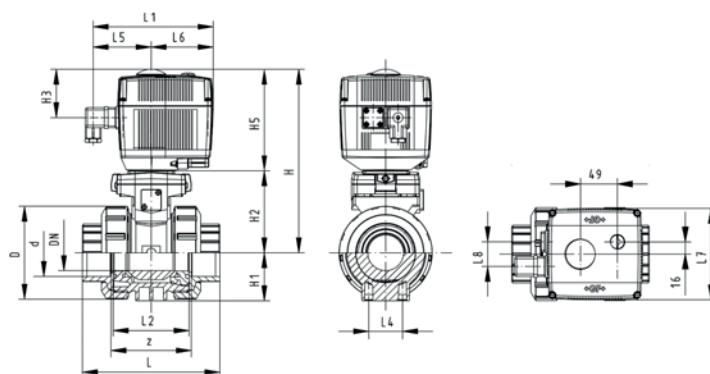
Option:

- Individual configuration of the valve (see diagram)

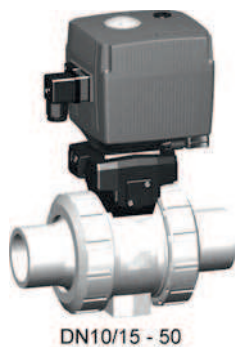
d [mm]	DN [mm]	PN	kv-value ($\Delta p=1$ bar) [l/min]	FPM Code	kg
16	10	10	70	199 107 822	2.100
20	15	10	185	199 107 823	2.100
25	20	10	350	199 107 824	2.200
32	25	10	700	199 107 825	2.414
40	32	10	1000	199 107 826	2.600
50	40	10	1600	199 107 827	2.995
63	50	10	3100	199 107 828	3.800

d [mm]	D [mm]	H [mm]	H1 [mm]	H2 [mm]	H3 [mm]	H5 [mm]	L [mm]	L1 [mm]	L2 [mm]	L4 [mm]	L5 [mm]	L6 [mm]	L7 [mm]	L8 [mm]	z [mm]
16	50	200	27	64	64	137	92	161	56	25	79	83	122	67	64
20	50	200	27	64	64	137	95	161	56	25	79	83	122	67	64
25	58	209	30	73	64	137	110	161	65	25	79	83	122	67	72
32	68	209	36	73	64	137	123	161	71	25	79	83	122	67	79
40	84	220	44	84	64	137	146	161	85	45	79	83	122	67	94
50	97	220	51	84	64	137	157	161	89	45	79	83	122	67	95
63	124	243	64	106	64	137	183	161	101	45	79	83	122	67	107

d [mm]	closest inch
16	3/8
20	1/2
25	3/4
32	1
40	1 1/4
50	1 1/2
63	2



PF 3 39 695 035



SYGEF Standard Ball valve type 107 24V With manual emergency override With socket fusion spigots metric

Model:

- Material: PVDF
- Built on with electric actuator EA11
- Voltage 24 V AC/DC
- Control range 90°<
- Control time 5 s/90°<
- For easy installation and removal
- Integrated stainless steel mounting inserts

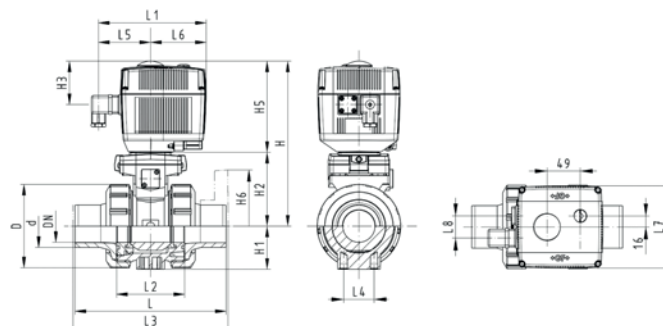
Option:

- Individual configuration of the valve (see diagram)

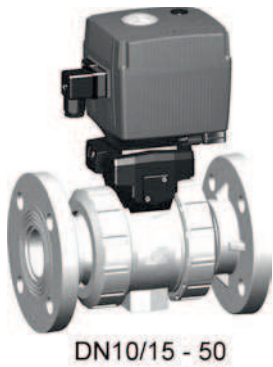
d [mm]	DN [mm]	PN	kv-value ($\Delta p=1$ bar) [l/min]	FPM Code	kg
16	10	10	70	199 107 832	2.100
20	15	10	185	199 107 833	2.100
25	20	10	350	199 107 834	2.200
32	25	10	700	199 107 835	2.300
40	32	10	1000	199 107 836	2.600
50	40	10	1600	199 107 837	3.000
63	50	10	3100	199 107 838	3.800

d [mm]	D [mm]	H [mm]	H1 [mm]	H2 [mm]	H3 [mm]	H5 [mm]	L [mm]	L1 [mm]	L2 [mm]	L3 [mm]	L4 [mm]	L5 [mm]	L6 [mm]	L7 [mm]	L8 [mm]
16	50	200	27	64	64	137	114	161	56	0	25	79	83	122	67
20	50	200	27	64	64	137	124	161	56	130	25	79	83	122	67
25	58	209	30	73	64	137	144	161	65	150	25	79	83	122	67
32	68	209	36	73	64	137	154	161	71	160	25	79	83	122	67
40	84	220	44	84	64	137	174	161	85	180	45	79	83	122	67
50	97	220	51	84	64	137	194	161	89	200	45	79	83	122	67
63	124	243	64	106	64	137	224	161	101	230	45	79	83	122	67

d [mm]	closest inch
16	3/8
20	1/2
25	3/4
32	1
40	1 1/4
50	1 1/2
63	2



PF 3 39 695 035



SYGEF Standard Ball valve type 107 24V With manual emergency override With fixed flanges PVDF serrated metric

Model:

- Material: PVDF
- Built on with electric actuator EA11
- Voltage 24 V AC/DC
- Control range 90°<
- Control time 5 s/90°<
- For easy installation and removal
- Integrated stainless steel mounting inserts
- Overall length EN 558
- Connecting dimensions: ISO 7005 / EN 1092 / DIN 2501 PN10 / BS4504

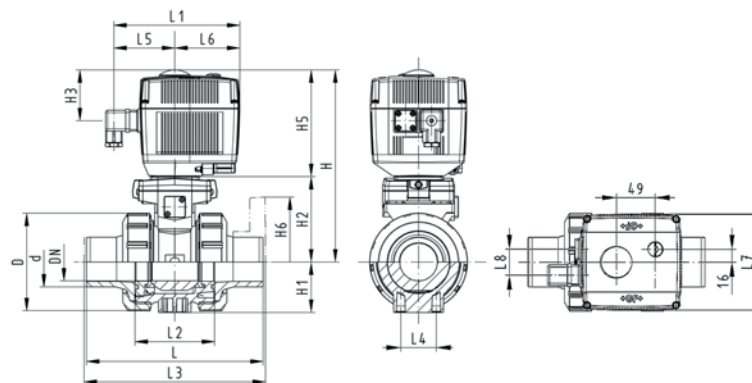
Option:

- Individual configuration of the valve (see diagram)

d [mm]	DN [mm]	Inch	PN	kv-value ($\Delta p=1$ bar) [l/min]	FPM Code	kg
20	15	½	10	185	199 107 853	2.300
25	20	¾	10	350	199 107 854	2.500
32	25	1	10	700	199 107 855	2.700
40	32	1 ¼	10	1000	199 107 856	3.200
50	40	1 ½	10	1600	199 107 857	3.700
63	50	2	10	3100	199 107 858	4.800

d [mm]	D [mm]	H [mm]	H1 [mm]	H2 [mm]	H3 [mm]	H5 [mm]	H6 [mm]	L [mm]	L1 [mm]	L2 [mm]	L3 [mm]	L4 [mm]	L5 [mm]	L6 [mm]	L7 [mm]
20	50	201	27	64	65	138	48	124	160	56	130	25	77	83	122
25	58	210	30	73	65	138	53	144	160	65	150	25	77	83	122
32	68	210	36	73	65	138	58	154	160	71	160	25	77	83	122
40	84	221	44	84	65	138	70	174	160	85	180	45	77	83	122
50	97	221	51	84	65	138	75	194	160	89	200	45	77	83	122
63	124	244	64	106	65	138	83	224	160	101	230	45	77	83	122

d [mm]	L8 [mm]
20	33
25	33
32	33
40	33
50	33
63	33



PF 3 39 695 035



SYGEF Standard Ball valve type 132 100-230V With manual emergency override With butt fusion spigots IR-Plus metric

Model:

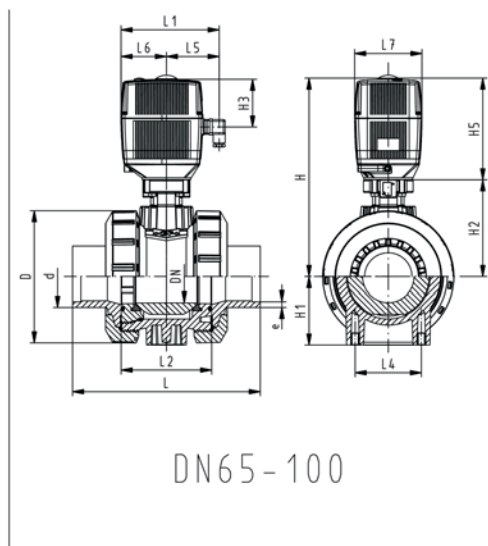
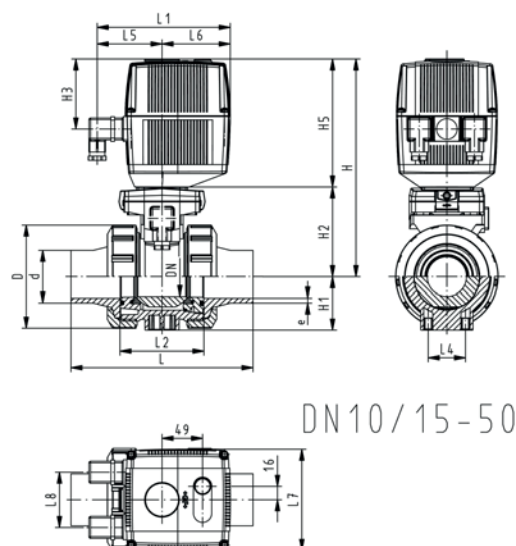
- Material: PVDF
- Voltage 100-230 V, 50-60 Hz
- Control range 90°<
- For easy installation and removal
- Integrated stainless steel mounting inserts
- Assignment of actuators: EA21 (DN10/15-50), EA31 (DN65-100)
- Control time: EA21: 5s/90°<, EA31: 15s/90°<

Option:

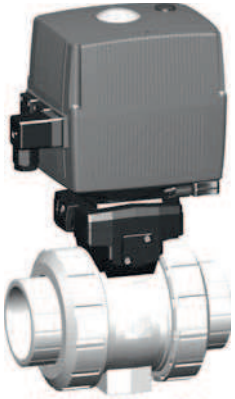
- Individual configuration of the valve (see diagram)

d [mm]	DN [mm]	PN	kv-value ($\Delta p=1$ bar) [l/min]	FPM Code	kg
20	15	10	185	199 132 113	2.100
25	20	10	350	199 132 114	2.200
32	25	10	700	199 132 115	2.300
40	32	10	1000	199 132 116	2.600
50	40	10	1600	199 132 117	3.000
63	50	10	3100	199 132 118	3.800
75	65	10	5000	199 132 119	9.100
90	80	10	7000	199 132 120	12.200
110	100	10	11000	199 132 121	17.500

d [mm]	D [mm]	H [mm]	H1 [mm]	H2 [mm]	H3 [mm]	H5 [mm]	L [mm]	L1 [mm]	L2 [mm]	L4 [mm]	L5 [mm]	L7 [mm]	e [mm]
20	50	231	27	64	94	167	130	180	56	25	97	122	1.9
25	58	240	30	73	94	167	143	180	65	25	97	122	1.9
32	68	240	36	73	94	167	150	180	71	25	97	122	2.4
40	84	251	44	84	94	167	171	180	85	45	97	122	2.4
50	97	251	51	84	94	167	191	180	89	45	97	122	3.0
63	124	273	64	106	94	167	220	180	101	45	97	122	3.0
75	166	346	85	156	94	190	266	180	136	70	98	122	3.6
90	200	358	105	168	94	190	264	180	141	70	98	122	4.3
110	238	365	123	175	94	190	301	180	164	70	98	122	5.3



PF 3 39 695 035



DN10/15 - 50



SYGEF Standard

Ball valve type 132 100-230V

With manual emergency override

With fusion sockets metric

Model:

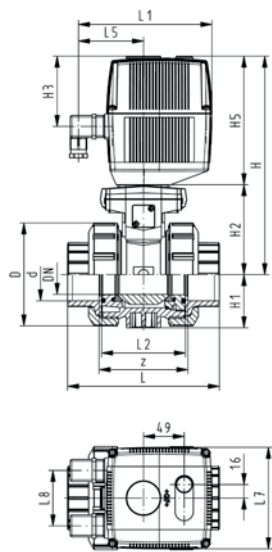
- Material: PVDF
- Voltage 100-230 V, 50-60 Hz
- Control range 90°<
- For easy installation and removal
- Integrated stainless steel mounting inserts
- Assignment of actuators: EA21 (DN10/15-50), EA31 (DN65-100)
- Control time: EA21: 5s/90°<, EA31: 15s/90°<

Option:

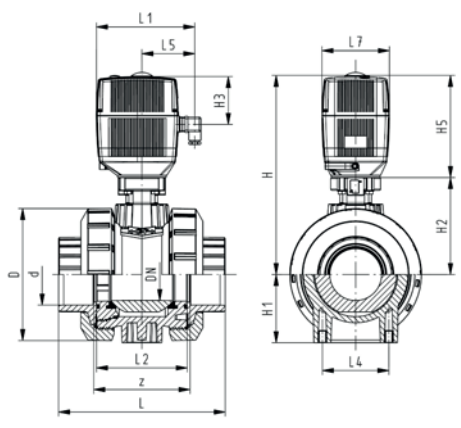
- Individual configuration of the valve (see diagram)

d [mm]	DN [mm]	PN	kv-value ($\Delta p=1$ bar) [l/min]	FPM Code	kg
16	10	10	70	199 132 012	2.100
20	15	10	185	199 132 013	2.100
25	20	10	350	199 132 014	2.200
32	25	10	700	199 132 015	2.300
40	32	10	1000	199 132 016	2.600
50	40	10	1600	199 132 017	3.000
63	50	10	3100	199 132 018	3.800
75	65	10	5000	199 132 019	8.800
90	80	10	7000	199 132 020	11.900
110	100	10	11000	199 132 021	17.500

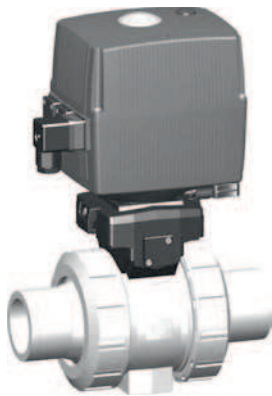
d [mm]	D [mm]	H [mm]	H1 [mm]	H2 [mm]	H3 [mm]	H5 [mm]	L [mm]	L1 [mm]	L2 [mm]	L4 [mm]	L5 [mm]	L7 [mm]	z [mm]
16	50	231	27	64	94	167	92	180	56	25	97	122	64
20	50	231	27	64	94	167	95	180	56	25	97	122	64
25	58	240	30	73	94	167	110	180	65	25	97	122	72
32	68	240	36	73	94	167	123	180	71	25	97	122	79
40	84	251	44	84	94	167	146	180	85	45	97	122	94
50	97	251	51	84	94	167	157	180	89	45	97	122	95
63	124	273	64	106	94	167	183	180	101	45	97	122	107
75	166	346	85	156	94	190	233	180	136	70	98	122	167
90	200	358	105	168	94	190	254	180	141	70	98	122	180
110	238	365	123	175	94	190	301	180	164	120	98	122	215



DN10/15-50



DN65-100



SYGEF Standard Ball valve type 132 100-230V With manual emergency override With socket fusion spigots metric

Model:

- Material: PVDF
- Voltage 100-230 V, 50-60 Hz
- Control range 90°<
- For easy installation and removal
- Integrated stainless steel mounting inserts
- Built on with electric actuator EA21
- Control time 5 s/90°<

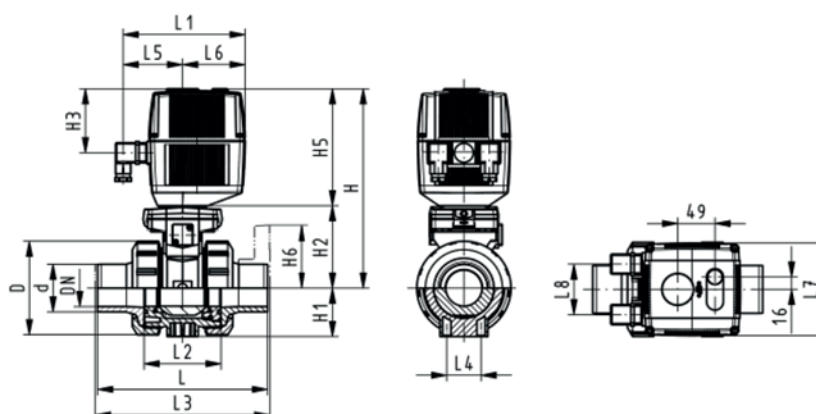
Option:

- Individual configuration of the valve (see diagram)

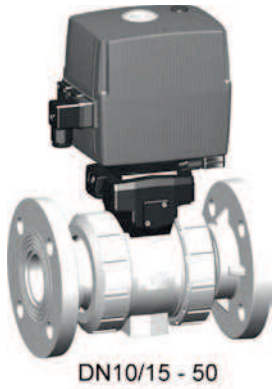
d [mm]	DN [mm]	PN	kv-value ($\Delta p=1$ bar) [l/min]	FPM Code	kg
16	10	10	70	199 132 032	2.100
20	15	10	185	199 132 033	2.100
25	20	10	350	199 132 034	2.200
32	25	10	700	199 132 035	2.300
40	32	10	1000	199 132 036	2.600
50	40	10	1600	199 132 037	3.000
63	50	10	3100	199 132 038	3.800

d [mm]	D [mm]	H [mm]	H1 [mm]	H2 [mm]	H3 [mm]	H5 [mm]	L [mm]	L1 [mm]	L2 [mm]	L3 [mm]	L4 [mm]	L5 [mm]	L6 [mm]	L7 [mm]	L8 [mm]
16	50	231	27	64	94	167	114	180	56	130	25	97	83	122	66
20	50	231	27	64	94	167	124	180	56	130	25	97	83	122	66
25	58	240	30	73	94	167	144	180	65	150	25	97	83	122	66
32	68	240	36	73	94	167	154	180	71	160	25	97	83	122	66
40	84	251	44	84	94	167	174	180	85	180	45	97	83	122	66
50	97	251	51	84	94	167	194	180	89	200	45	97	83	122	66
63	124	273	64	106	94	167	224	180	101	230	45	97	83	122	66

d [mm]	closest inch
16	3/8
20	1/2
25	3/4
32	1
40	1 1/4
50	1 1/2
63	2



PF 3 39 695 035



SYGEF Standard Ball valve type 132 100-230V With manual emergency override With fixed flanges PVDF serrated metric

Model:

- Material: PVDF
- Voltage 100-230 V, 50-60 Hz
- Control range 90°<
- For easy installation and removal
- Integrated stainless steel mounting inserts
- Built on with electric actuator EA21
- Control time 5 s/90°<
- Connecting dimensions: ISO 7005 / EN 1092 / DIN 2501 PN10 / BS4504
- Overall length EN 558

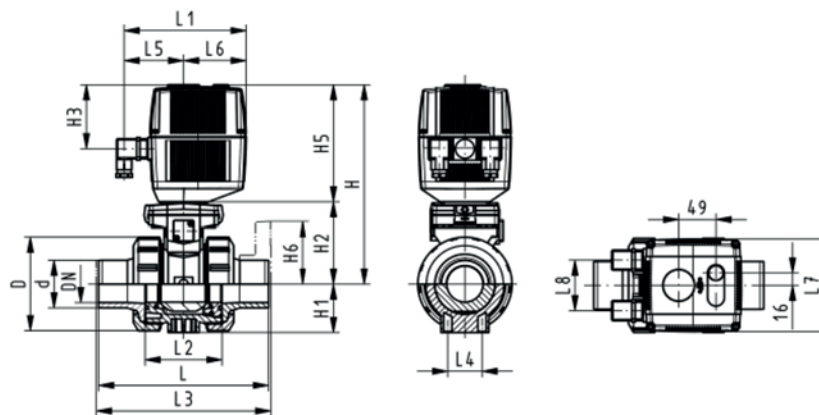
Option:

- Individual configuration of the valve (see diagram)

d [mm]	DN [mm]	Inch	PN	kv-value ($\Delta p=1$ bar) [l/min]	FPM Code	kg
20	15	½	10	185	199 132 083	2.300
25	20	¾	10	350	199 132 084	2.500
32	25	1	10	700	199 132 085	2.700
40	32	1 ¼	10	1000	199 132 086	3.200
50	40	1 ½	10	1600	199 132 087	3.700
63	50	2	10	3100	199 132 088	4.800

d [mm]	D [mm]	H [mm]	H1 [mm]	H2 [mm]	H3 [mm]	H5 [mm]	H6 [mm]	L [mm]	L1 [mm]	L2 [mm]	L3 [mm]	L4 [mm]	L5 [mm]	L6 [mm]	L7 [mm]
20	50	231	27	64	94	167	48	124	180	56	130	25	98	83	122
25	58	240	30	73	94	167	53	144	180	65	150	25	97	83	122
32	68	240	36	73	94	167	58	154	180	71	160	25	97	83	122
40	84	251	44	84	94	167	70	174	180	85	180	45	97	83	122
50	97	251	51	84	94	167	75	194	180	89	200	45	98	83	122
63	124	273	64	106	94	167	83	224	180	101	230	45	97	83	122

d [mm]	L8 [mm]
20	66
25	66
32	66
40	66
50	66
63	66



PF 3 39 695 035



DN10/15 - 50



SYGEF Standard Ball valve type 132 24V With manual emergency override With fusion sockets metric

Model:

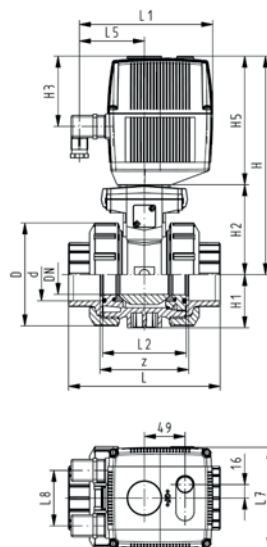
- Material: PVDF
- Voltage 24 V AC/DC
- Control range 90°<
- For easy installation and removal
- Integrated stainless steel mounting inserts
- Assignment of actuators: EA21 (DN10/15-50), EA31 (DN65-100)
- Control time: EA21: 5s/90°<, EA31: 15s/90°<

Option:

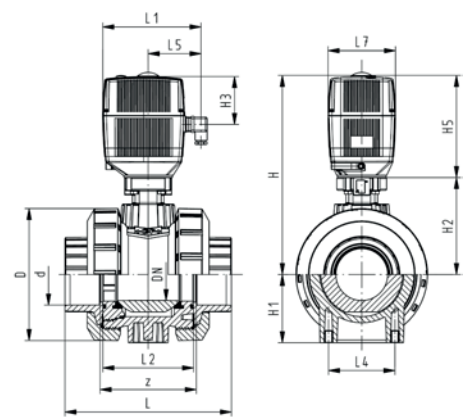
- Individual configuration of the valve (see diagram)

d [mm]	DN [mm]	PN	kv-value ($\Delta p=1$ bar) [l/min]	FPM Code	kg
16	10	10	70	199 132 052	2.100
20	15	10	185	199 132 053	2.100
25	20	10	350	199 132 054	2.200
32	25	10	700	199 132 055	2.744
40	32	10	1000	199 132 056	2.600
50	40	10	1600	199 132 057	3.000
63	50	10	3100	199 132 058	3.800
75	65	10	5000	199 132 059	8.800
90	80	10	7000	199 132 060	11.900
110	100	10	11000	199 132 061	17.500

d [mm]	D [mm]	H [mm]	H1 [mm]	H2 [mm]	H3 [mm]	H5 [mm]	L [mm]	L1 [mm]	L2 [mm]	L4 [mm]	L5 [mm]	L7 [mm]	z [mm]
16	50	231	27	64	94	167	92	180	56	25	97	122	64
20	50	231	27	64	94	167	95	180	56	25	97	122	64
25	58	240	30	73	94	167	110	180	65	25	97	122	72
32	68	240	36	73	94	167	123	180	71	25	97	122	79
40	84	251	44	84	94	167	146	180	85	45	97	122	94
50	97	251	51	84	94	167	157	180	89	45	97	122	95
63	124	273	64	106	94	167	183	180	101	45	97	122	107
75	166	346	85	156	94	190	233	180	136	70	98	122	167
90	200	358	105	168	94	190	254	180	141	70	98	122	180
110	238	365	123	172	94	190	301	180	164	120	98	122	215



DN10/15-50



DN65-100

PF 3 39 695 035



SYGEF Standard Ball valve type 132 24V With manual emergency override With socket fusion spigots metric

Model:

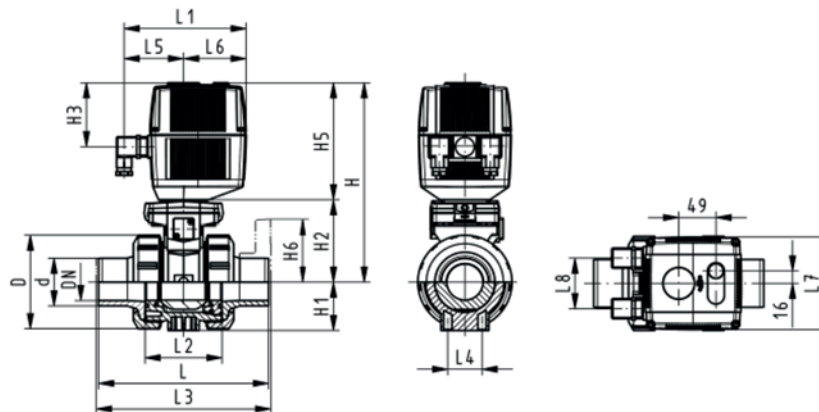
- Material: PVDF
- Voltage 24 V AC/DC
- Control range 90°<
- For easy installation and removal
- Integrated stainless steel mounting inserts
- Built on with electric actuator EA21
- Control time 5 s/90°<

Option:

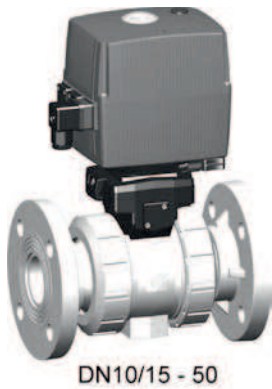
- Individual configuration of the valve (see diagram)

d [mm]	DN [mm]	PN	kv-value ($\Delta p=1$ bar) [l/min]	FPM Code	kg
16	10	10	70	199 132 072	2.100
20	15	10	185	199 132 073	2.100
25	20	10	350	199 132 074	2.200
32	25	10	700	199 132 075	2.300
40	32	10	1000	199 132 076	2.600
50	40	10	1600	199 132 077	3.000
63	50	10	3100	199 132 078	3.800

d [mm]	D [mm]	H [mm]	H1 [mm]	H2 [mm]	H3 [mm]	H5 [mm]	L [mm]	L1 [mm]	L2 [mm]	L3 [mm]	L4 [mm]	L5 [mm]	L6 [mm]	L7 [mm]	L8 [mm]
16	50	231	27	64	94	167	114	180	56	130	25	97	83	122	66
20	50	231	27	64	94	167	124	180	56	130	25	97	83	122	66
25	58	240	30	73	94	167	144	180	65	150	25	97	83	122	66
32	68	240	36	73	94	167	154	180	71	160	25	97	83	122	66
40	84	251	44	84	94	167	174	180	85	180	45	97	83	122	66
50	97	251	51	84	94	167	194	180	89	200	45	97	83	122	66
63	124	273	64	106	94	167	224	180	101	230	45	97	83	122	66



PF 3 39 695 035



SYGEF Standard Ball valve type 132 24V With manual emergency override With fixed flanges PVDF serrated metric

Model:

- Material: PVDF
- Voltage 24 V AC/DC
- Control range 90°<
- For easy installation and removal
- Integrated stainless steel mounting inserts
- Built on with electric actuator EA21
- Control time 5 s/90°<
- Overall length EN 558
- Connecting dimensions: ISO 7005 / EN 1092 / DIN 2501 PN10 / BS4504

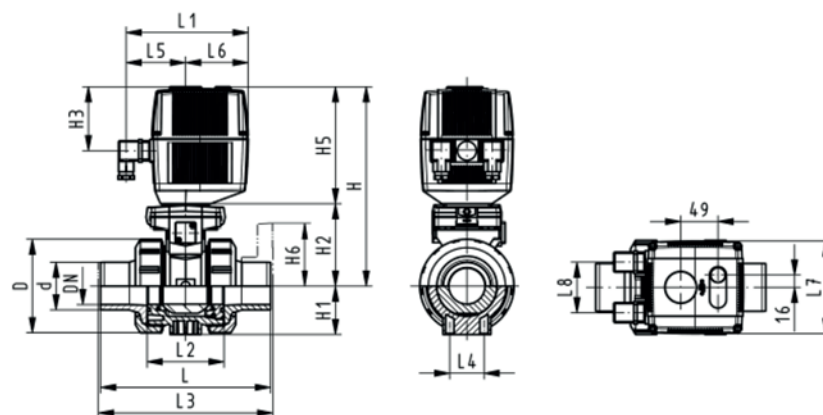
Option:

- Individual configuration of the valve (see diagram)

d [mm]	DN [mm]	Inch	PN	kv-value ($\Delta p=1$ bar) [l/min]	FPM Code	kg
20	15	½	10	185	199 132 093	2.300
25	20	¾	10	350	199 132 094	2.500
32	25	1	10	700	199 132 095	2.700
40	32	1 ¼	10	1000	199 132 096	3.200
50	40	1 ½	10	1600	199 132 097	3.700
63	50	2	10	3100	199 132 098	4.800

d [mm]	D [mm]	H [mm]	H1 [mm]	H2 [mm]	H3 [mm]	H5 [mm]	H6 [mm]	L [mm]	L1 [mm]	L2 [mm]	L3 [mm]	L4 [mm]	L5 [mm]	L6 [mm]	L7 [mm]
20	50	231	27	64	94	167	48	124	180	56	130	25	98	83	122
25	58	240	30	73	94	167	53	144	180	65	150	25	97	83	122
32	68	240	36	73	94	167	58	154	180	71	160	25	97	83	122
40	84	251	44	84	94	167	70	174	180	85	180	45	97	83	122
50	97	251	51	84	94	167	75	194	180	89	200	45	98	83	122
63	124	273	64	106	94	167	83	224	180	101	230	45	97	83	122

d [mm]	L8 [mm]
20	66
25	66
32	66
40	66
50	66
63	66



PF 3 39 695 035



SYGEF Standard Ball valve type 132 24V With manual emergency override With butt fusion spigots IR-Plus metric

Model:

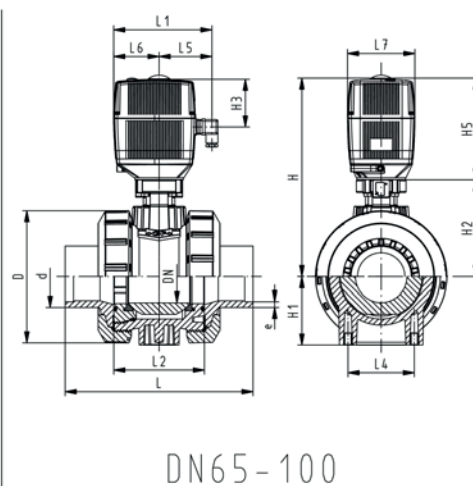
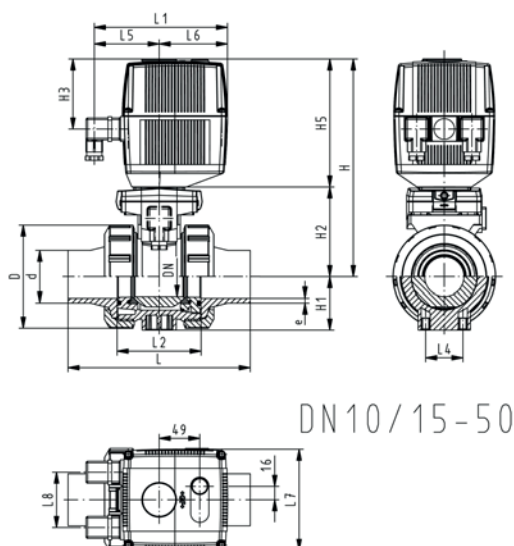
- Material: PVDF
- Voltage 24 V AC/DC
- Control range 90°<
- For easy installation and removal
- Integrated stainless steel mounting inserts
- Assignment of actuators: EA21 (DN10/15-50), EA31 (DN65-100)
- Control time: EA21: 5s/90°<, EA31: 15s/90°<

Option:

- Individual configuration of the valve (see diagram)

d [mm]	DN [mm]	PN	kv-value ($\Delta p=1$ bar) [l/min]	FPM Code	kg
20	15	10	185	199 132 153	2.100
25	20	10	350	199 132 154	2.200
32	25	10	700	199 132 155	2.300
40	32	10	1000	199 132 156	2.600
50	40	10	1600	199 132 157	3.000
63	50	10	3100	199 132 158	3.800
75	65	10	5000	199 132 159	9.100
90	80	10	7000	199 132 160	12.200
110	100	10	11000	199 132 161	17.500

d [mm]	D [mm]	H [mm]	H1 [mm]	H2 [mm]	H3 [mm]	H5 [mm]	L [mm]	L1 [mm]	L2 [mm]	L4 [mm]	L5 [mm]	L7 [mm]	e [mm]
20	50	231	27	64	94	167	130	180	56	25	97	122	1.9
25	58	240	30	73	94	167	143	180	65	25	97	122	1.9
32	68	240	36	73	94	167	150	180	71	25	97	122	2.4
40	84	251	44	84	94	167	171	180	85	45	97	122	2.4
50	97	251	51	84	94	167	191	180	89	45	97	122	3.0
63	124	273	64	106	94	167	220	180	101	45	97	122	3.0
75	166	346	85	156	94	190	266	180	136	70	98	122	3.6
90	200	358	105	168	94	190	264	180	141	70	98	122	4.3
110	238	365	123	175	94	190	301	180	164	120	98	122	5.3



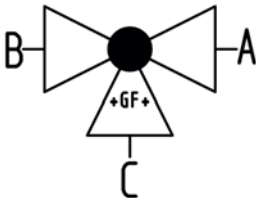
PF 3 39 695 035



SYGEF Standard 3-Way ball valve type 187 Horizontal/L-port 100-230V With manual emergency override With fusion sockets metric

Model:

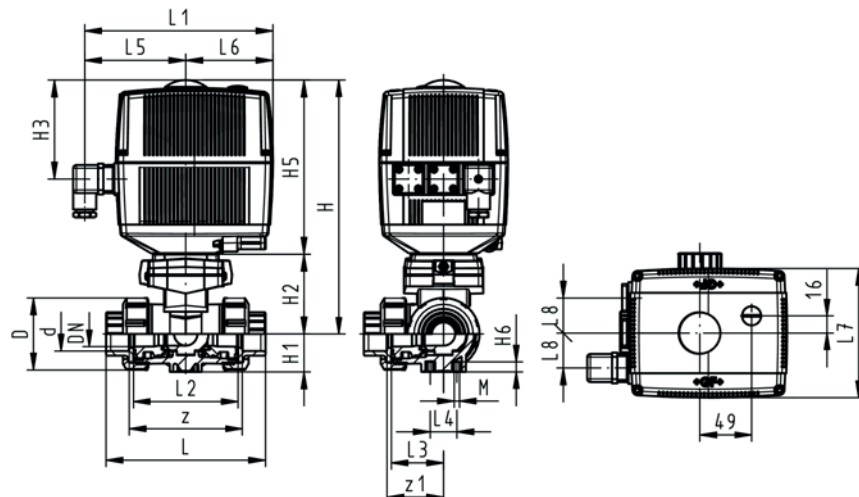
- Material: PVDF
- Built on with electric actuator EA21
- Voltage 100-230 V, 50-60 Hz
- Control range 90°<
- Basic position A-C opened, activated position B-C opened, see flow scheme
- Other positions possible by adjusting the limit switches
- Control time 5 s/90°<
- For easy installation and removal
- Integrated stainless steel mounting inserts



d [mm]	DN [mm]	PN	kv-value ($\Delta p=1$ bar) [l/min]	FPM Code	kg
16	10	10	50	199 187 092	2.190
20	15	10	75	199 187 093	2.198
25	20	10	150	199 187 094	2.356
32	25	10	280	199 187 095	2.600
40	32	10	480	199 187 096	3.131
50	40	10	620	199 187 097	3.710
63	50	10	1230	199 187 098	5.440

d [mm]	D [mm]	H [mm]	H1 [mm]	H2 [mm]	H3 [mm]	H5 [mm]	H6 [mm]	L [mm]	L1 [mm]	L2 [mm]	L3 [mm]	L4 [mm]	L5 [mm]	L6 [mm]	L7 [mm]
16	50	231	28	64	94	167	8	110	180	72	36	25	97	83	122
20	50	231	28	64	94	167	8	112	180	72	36	25	97	83	122
25	58	240	32	73	94	167	8	129	180	85	43	25	97	83	122
32	68	240	36	73	94	167	8	146	180	98	49	25	97	83	122
40	84	251	45	84	94	167	9	170	180	118	59	45	97	83	122
50	97	251	51	84	94	167	9	193	180	135	68	45	97	83	122
63	124	273	65	106	94	167	9	244	180	176	88	45	97	83	122

d [mm]	L8 [mm]	M	z [mm]	z1 [mm]	closest inch
16	33	6	82	41	$\frac{3}{8}$
20	33	6	82	41	$\frac{1}{2}$
25	33	6	97	49	$\frac{3}{4}$
32	33	6	110	55	1
40	33	8	132	66	$1 \frac{1}{4}$
50	33	8	151	76	$1 \frac{1}{2}$
63	33	8	188	94	2



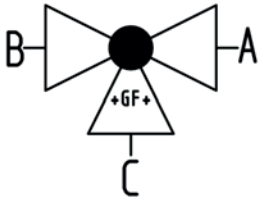
PF 3 39 980 035



SYGEF Standard 3-Way ball valve type 187 Horizontal/L-port 100-230V With manual emergency override With threaded sockets NPT

Model:

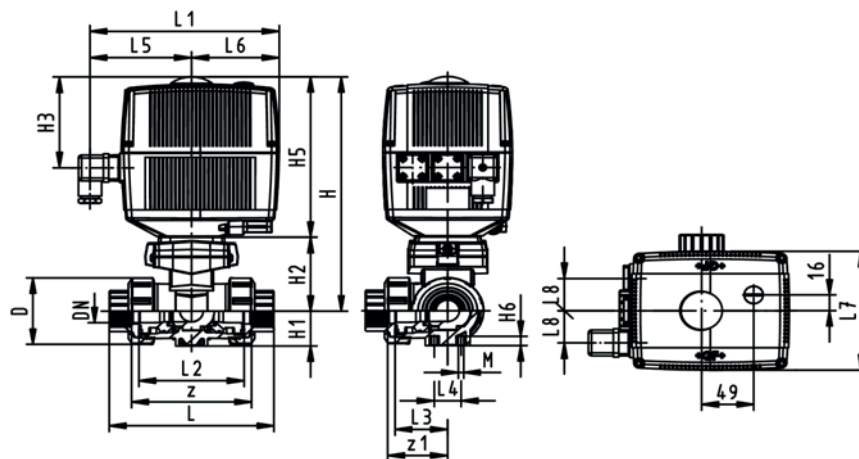
- Material: PVDF
- Built on with electric actuator EA21
- Voltage 100-230 V, 50-60 Hz
- Control range 90°<
- Basic position A-C opened, activated position B-C opened, see flow scheme
- Other positions possible by adjusting the limit switches
- Control time 5 s/90°<
- For easy installation and removal
- Integrated stainless steel mounting inserts



NPT [inch]	DN [mm]	PN	kv-value ($\Delta p=1$ bar) [l/min]	FPM Code	kg
3/8	10	10	50	199 187 242	2.190
1/2	15	10	75	199 187 243	2.198
3/4	20	10	150	199 187 244	2.356
1	25	10	280	199 187 245	2.600
1 1/4	32	10	480	199 187 246	3.131
1 1/2	40	10	620	199 187 247	3.710
2	50	10	1230	199 187 248	5.440

NPT [inch]	D [mm]	H [mm]	H1 [mm]	H2 [mm]	H3 [mm]	H5 [mm]	H6 [mm]	L [mm]	L1 [mm]	L2 [mm]	L3 [mm]	L4 [mm]	L5 [mm]	L6 [mm]	L7 [mm]
3/8	50	231	28	64	94	167	8	112	180	72	36	25	97	83	122
1/2	50	231	28	64	94	167	8	114	180	72	36	25	97	83	122
3/4	58	240	32	73	94	167	8	131	180	85	43	25	97	83	122
1	68	240	36	73	94	167	8	154	180	98	49	25	97	83	122
1 1/4	84	251	45	84	94	167	9	180	180	118	59	45	97	83	122
1 1/2	97	251	51	84	94	167	9	203	180	135	68	45	97	83	122
2	124	273	65	106	94	167	9	258	180	176	88	45	97	83	122

NPT [inch]	L8 [mm]	M	z [mm]	z1 [mm]
3/8	33	6	86	43
1/2	33	6	80	40
3/4	33	6	95	48
1	33	6	110	55
1 1/4	33	8	132	66
1 1/2	33	8	157	79
2	33	8	210	105



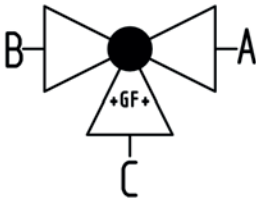
PF 3 39 980 035



SYGEF Standard
3-Way ball valve type 187
Horizontal/L-port 100-230V
With manual emergency override
With socket fusion spigots metric

Model:

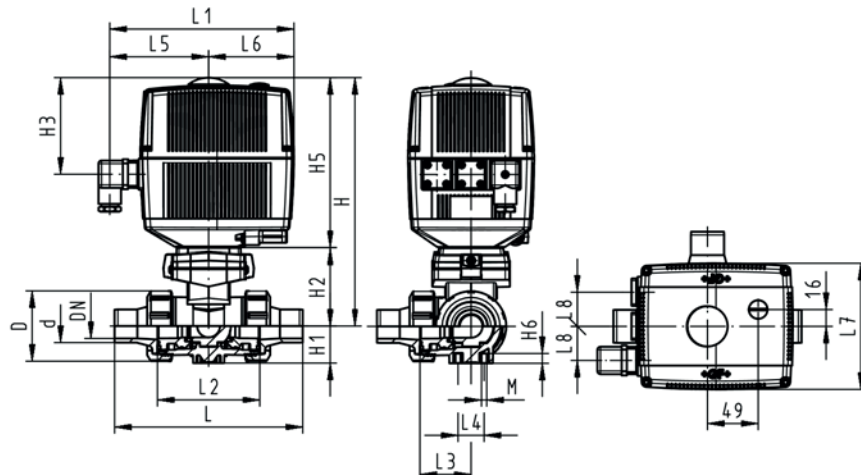
- Material: PVDF
- Built on with electric actuator EA21
- Voltage 100-230 V, 50-60 Hz
- Control range 90°<
- Basic position A-C opened, activated position B-C opened, see flow scheme
- Other positions possible by adjusting the limit switches
- Control time 5 s/90°<
- For easy installation and removal
- Integrated stainless steel mounting inserts



d [mm]	DN [mm]	PN	kv-value (Δp=1 bar) [l/min]	FPM Code	kg
16	10	10	50	199 187 012	2.198
20	15	10	75	199 187 013	2.209
25	20	10	150	199 187 014	2.376
32	25	10	280	199 187 015	2.630
40	32	10	480	199 187 016	3.158
50	40	10	620	199 187 017	3.791
63	50	10	1230	199 187 018	5.602

d [mm]	D [mm]	H [mm]	H1 [mm]	H2 [mm]	H3 [mm]	H5 [mm]	H6 [mm]	L [mm]	L1 [mm]	L2 [mm]	L3 [mm]	L4 [mm]	L5 [mm]	L6 [mm]	L7 [mm]
16	50	231	28	64	94	167	8	126	180	72	36	25	97	83	122
20	50	231	28	64	94	167	8	136	180	72	36	25	97	83	122
25	58	240	32	73	94	167	8	159	180	85	43	25	97	83	122
32	68	240	36	73	94	167	8	178	180	98	49	25	97	83	122
40	84	251	45	84	94	167	9	204	180	118	59	45	97	83	122
50	97	251	51	84	94	167	9	237	180	135	68	45	97	83	122
63	124	273	65	106	94	167	9	296	180	176	88	45	97	83	122

d [mm]	L8 [mm]	M	closest inch
16	33	6	3/8
20	33	6	1/2
25	33	6	3/4
32	33	6	1
40	33	8	1 1/4
50	33	8	1 1/2
63	33	8	2



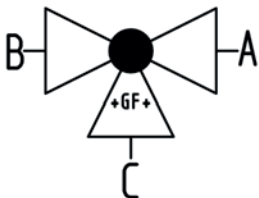
PF 3 39 980 035



SYGEF Standard
3-Way ball valve type 187
Horizontal/L-port 100-230V
With manual emergency override
With butt fusion spigots IR-Plus metric

Model:

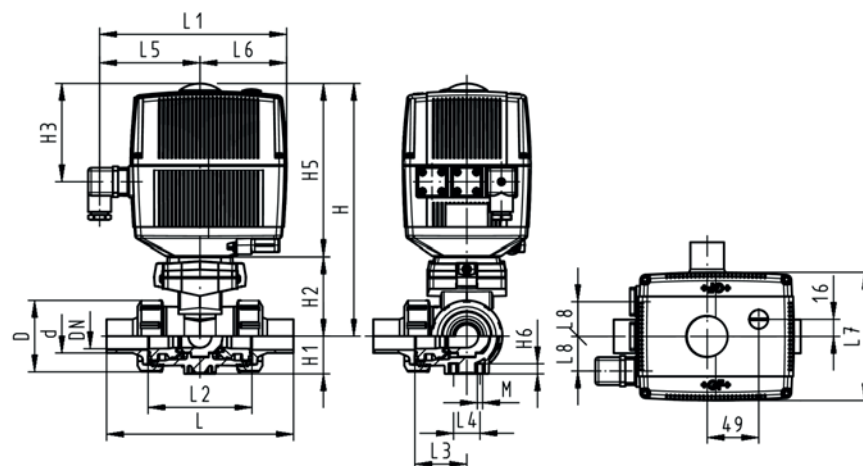
- Material: PVDF
- Built on with electric actuator EA21
- Voltage 100-230 V, 50-60 Hz
- Control range 90°<
- Basic position A-C opened, activated position B-C opened, see flow scheme
- Other positions possible by adjusting the limit switches
- Control time 5 s/90°<
- For easy installation and removal
- Integrated stainless steel mounting inserts



d [mm]	DN [mm]	PN	kv-value ($\Delta p=1$ bar) [l/min]	FPM Code	kg
20	15	10	75	199 187 053	2.209
25	20	10	150	199 187 054	2.743
32	25	10	280	199 187 055	2.630
40	32	10	480	199 187 056	3.158
50	40	10	620	199 187 057	3.791
63	50	10	1230	199 187 058	5.602

d [mm]	D [mm]	H [mm]	H1 [mm]	H2 [mm]	H3 [mm]	H5 [mm]	H6 [mm]	L [mm]	L1 [mm]	L2 [mm]	L3 [mm]	L4 [mm]	L5 [mm]	L6 [mm]	L7 [mm]
20	50	231	28	64	94	167	8	146	180	72	36	25	97	83	122
25	58	240	32	73	94	167	8	163	180	85	43	25	97	83	122
32	68	240	36	73	94	167	8	178	180	98	49	25	97	83	122
40	84	251	45	84	94	167	9	204	180	118	59	45	97	83	122
50	97	251	51	84	94	167	9	237	180	135	68	45	97	83	122
63	124	273	65	106	94	167	9	296	180	176	88	45	97	83	122

d [mm]	L8 [mm]	M	closest inch
20	33	6	1/2
25	33	6	3/4
32	33	6	1
40	33	8	1 1/4
50	33	8	1 1/2
63	33	8	2



PF 3 39 980 035



SYGEF Standard

3-Way ball valve type 187

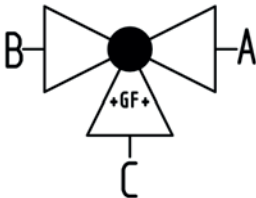
Horizontal/L-port 24V

With manual emergency override

With fusion sockets metric

Model:

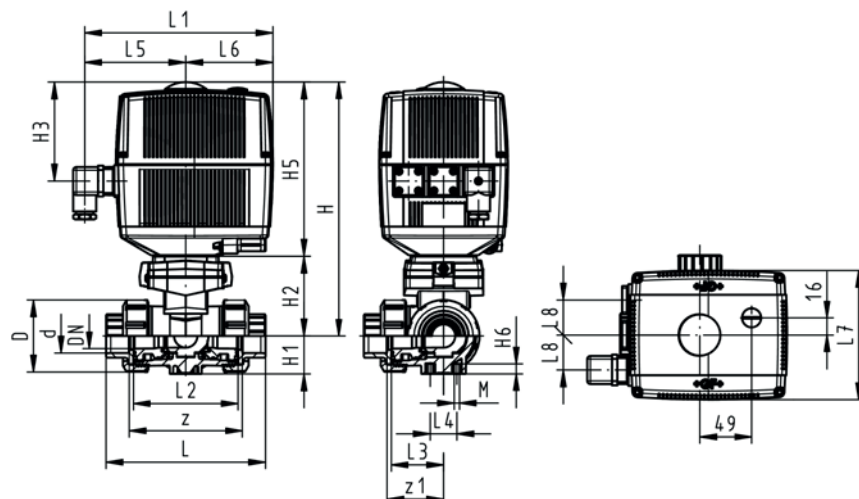
- Material: PVDF
- Built on with electric actuator EA21
- Voltage 24 V AC/DC
- Control range 90°<
- Basic position A-C opened, activated position B-C opened, see flow scheme
- Other positions possible by adjusting the limit switches
- Control time 5 s/90°<
- For easy installation and removal
- Integrated stainless steel mounting inserts



d [mm]	DN [mm]	PN	kv-value (Δp=1 bar) [l/min]	FPM Code	kg
16	10	10	50	199 187 212	2.190
20	15	10	75	199 187 213	2.198
25	20	10	150	199 187 214	2.356
32	25	10	280	199 187 215	2.600
40	32	10	480	199 187 216	3.131
50	40	10	620	199 187 217	3.710
63	50	10	1230	199 187 218	5.440

d [mm]	D [mm]	H [mm]	H1 [mm]	H2 [mm]	H3 [mm]	H5 [mm]	H6 [mm]	L [mm]	L1 [mm]	L2 [mm]	L3 [mm]	L4 [mm]	L5 [mm]	L6 [mm]	L7 [mm]
16	50	231	28	64	94	167	8	110	180	72	36	25	97	83	122
20	50	231	28	64	94	167	8	112	180	72	36	25	97	83	122
25	58	240	32	73	94	167	8	129	180	85	43	25	97	83	122
32	68	240	36	73	94	167	8	146	180	98	49	25	97	83	122
40	84	251	45	84	94	167	9	170	180	118	59	45	97	83	122
50	97	251	51	84	94	167	9	193	180	135	68	45	97	83	122
63	124	273	65	106	94	167	9	244	180	176	88	45	97	83	122

d [mm]	L8 [mm]	M	z [mm]	z1 [mm]	closest inch
16	33	6	82	41	3/8
20	33	6	82	41	1/2
25	33	6	97	49	3/4
32	33	6	110	55	1
40	33	8	132	66	1 1/4
50	33	8	151	76	1 1/2
63	33	8	188	94	2



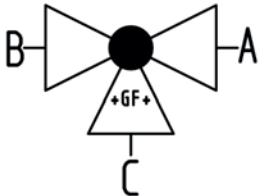
PF 3 39 980 035



SYGEF Standard 3-Way ball valve type 187 Horizontal/L-port 24V With manual emergency override With threaded sockets NPT

Model:

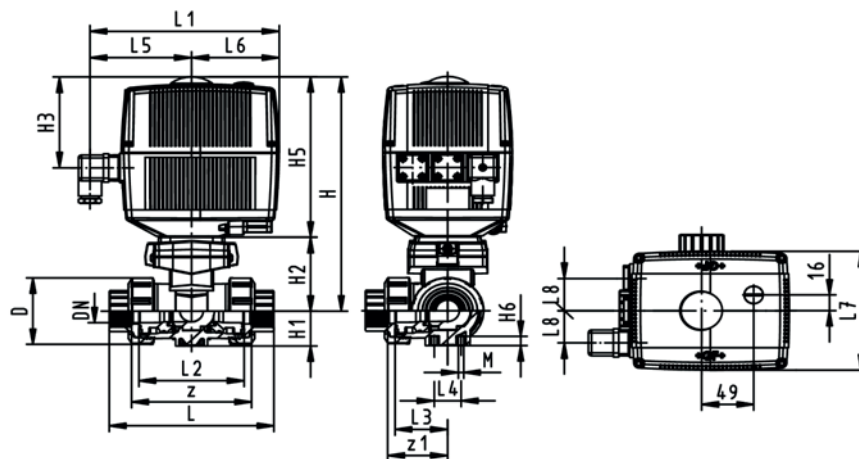
- Material: PVDF
- Built on with electric actuator EA21
- Voltage 24 V AC/DC
- Control range 90°<
- Basic position A-C opened, activated position B-C opened, see flow scheme
- Other positions possible by adjusting the limit switches
- Control time 5 s/90°<
- For easy installation and removal
- Integrated stainless steel mounting inserts



NPT [inch]	DN [mm]	PN	kv-value ($\Delta p=1$ bar) [l/min]	FPM Code	kg
3/8	10	10	50	199 187 262	2.190
1/2	15	10	75	199 187 263	2.198
3/4	20	10	150	199 187 264	2.356
1	25	10	280	199 187 265	2.600
1 1/4	32	10	480	199 187 266	3.131
1 1/2	40	10	620	199 187 267	3.710
2	50	10	1230	199 187 268	5.440

NPT [inch]	D [mm]	H [mm]	H1 [mm]	H2 [mm]	H3 [mm]	H5 [mm]	H6 [mm]	L [mm]	L1 [mm]	L2 [mm]	L3 [mm]	L4 [mm]	L5 [mm]	L6 [mm]	L7 [mm]
3/8	50	231	28	64	94	167	8	112	180	72	36	25	97	83	122
1/2	50	231	28	64	94	167	8	114	180	72	36	25	97	83	122
3/4	58	240	32	73	94	167	8	131	180	85	43	25	97	83	122
1	68	240	36	73	94	167	8	154	180	98	49	25	97	83	122
1 1/4	84	251	45	84	94	167	9	180	180	118	59	45	97	83	122
1 1/2	97	251	51	84	94	167	9	203	180	135	68	45	97	83	122
2	124	273	65	106	94	167	9	258	180	176	88	45	97	83	122

NPT [inch]	L8 [mm]	M	z [mm]	z1 [mm]
3/8	33	6	86	43
1/2	33	6	80	40
3/4	33	6	95	48
1	33	6	110	55
1 1/4	33	8	132	66
1 1/2	33	8	157	79
2	33	8	210	105



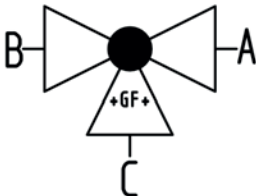
PF 3 39 980 035



SYGEF Standard 3-Way ball valve type 187 Horizontal/L-port 24V With manual emergency override With socket fusion spigots metric

Model:

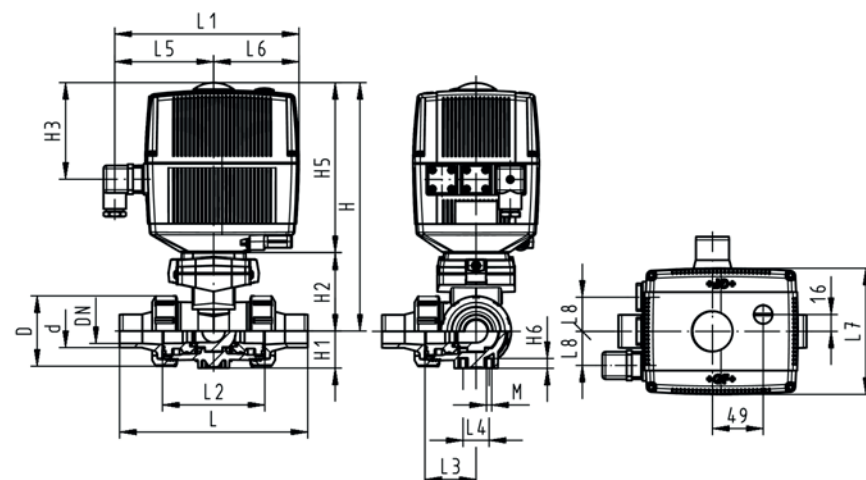
- Material: PVDF
- Built on with electric actuator EA21
- Voltage 24 V AC/DC
- Control range 90°<
- Basic position A-C opened, activated position B-C opened, see flow scheme
- Other positions possible by adjusting the limit switches
- Control time 5 s/90°<
- For easy installation and removal
- Integrated stainless steel mounting inserts



d [mm]	DN [mm]	PN	kv-value ($\Delta p=1$ bar) [l/min]	FPM Code	kg
16	10	10	50	199 187 132	2.198
20	15	10	75	199 187 133	2.209
25	20	10	150	199 187 134	2.376
32	25	10	280	199 187 135	2.630
40	32	10	480	199 187 136	3.158
50	40	10	620	199 187 137	3.791
63	50	10	1230	199 187 138	5.602

d [mm]	D [mm]	H [mm]	H1 [mm]	H2 [mm]	H3 [mm]	H5 [mm]	H6 [mm]	L [mm]	L1 [mm]	L2 [mm]	L3 [mm]	L4 [mm]	L5 [mm]	L6 [mm]	L7 [mm]
16	50	231	28	64	94	167	8	126	180	72	36	25	97	83	122
20	50	231	28	64	94	167	8	136	180	72	36	25	97	83	122
25	58	240	32	73	94	167	8	159	180	85	43	25	97	83	122
32	68	240	36	73	94	167	8	178	180	98	49	25	97	83	122
40	84	251	45	84	94	167	9	204	180	118	59	45	97	83	122
50	97	251	51	84	94	167	9	237	180	135	68	45	97	83	122
63	124	273	65	106	94	167	9	296	180	176	88	45	97	83	122

d [mm]	L8 [mm]	M	closest inch
16	33	6	3/8
20	33	6	1/2
25	33	6	3/4
32	33	6	1
40	33	8	1 1/4
50	33	8	1 1/2
63	33	8	2



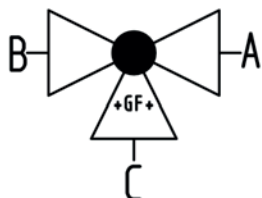
PF 3 39 980 035



SYGEF Standard 3-Way ball valve type 187 Horizontal/L-port 24V With manual emergency override With butt fusion spigots IR-Plus metric

Model:

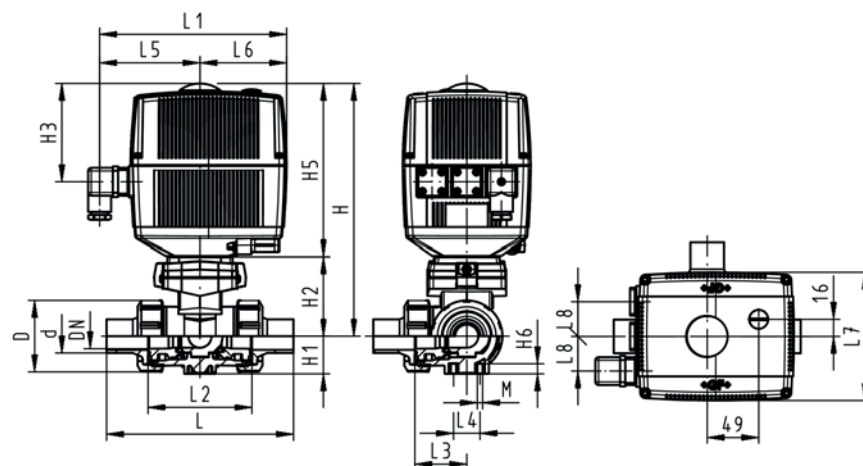
- Material: PVDF
- Built on with electric actuator EA21
- Voltage 24 V AC/DC
- Control range 90°<
- Basic position A-C opened, activated position B-C opened, see flow scheme
- Other positions possible by adjusting the limit switches
- Control time 5 s/90°<
- For easy installation and removal
- Integrated stainless steel mounting inserts



d [mm]	DN [mm]	PN	kv-value (Δp=1 bar) [l/min]	FPM Code	kg
20	15	10	75	199 187 173	2.209
25	20	10	150	199 187 174	2.376
32	25	10	280	199 187 175	2.630
40	32	10	480	199 187 176	3.158
50	40	10	620	199 187 177	3.791
63	50	10	1230	199 187 178	5.602

d [mm]	D [mm]	H [mm]	H1 [mm]	H2 [mm]	H3 [mm]	H5 [mm]	H6 [mm]	L [mm]	L1 [mm]	L2 [mm]	L3 [mm]	L4 [mm]	L5 [mm]	L6 [mm]	L7 [mm]
20	50	231	28	64	94	167	8	146	180	72	36	25	97	83	122
25	58	240	32	73	94	167	8	163	180	85	43	25	97	83	122
32	68	240	36	73	94	167	8	178	180	98	49	25	97	83	122
40	84	251	45	84	94	167	9	204	180	118	59	45	97	83	122
50	97	251	51	84	94	167	9	237	180	135	68	45	97	83	122
63	124	273	65	106	94	167	9	296	180	176	88	45	97	83	122

d [mm]	L8 [mm]	M	closest inch
20	33	6	1/2
25	33	6	3/4
32	33	6	1
40	33	8	1 1/4
50	33	8	1 1/2
63	33	8	2



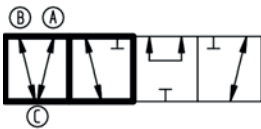
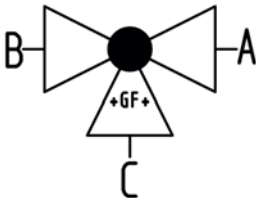
PF 3 39 980 035



SYGEF Standard 3-Way ball valve type 187 Horizontal/T-port 100-230V With manual emergency override With fusion sockets metric

Model:

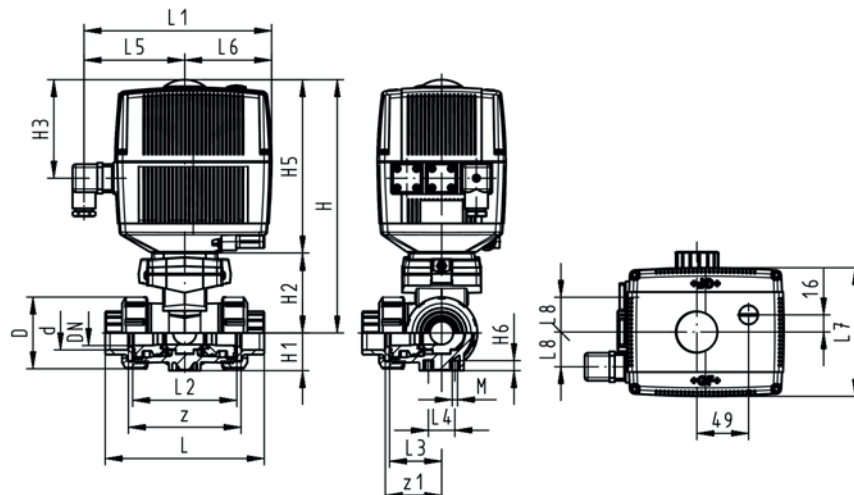
- Material: PVDF
- Built on with electric actuator EA21
- Voltage 100-230 V, 50-60 Hz
- Control range 90°<
- Basic position A-B-C opened, activated position B-C opened, see flow scheme
- Other positions possible by adjusting the limit switches
- Control time 5 s/90°<
- For easy installation and removal
- Integrated stainless steel mounting inserts



d [mm]	DN [mm]	PN	kv-value ($\Delta p=1$ bar) [l/min]	FPM Code	kg
16	10	10	140	199 187 112	2.189
20	15	10	200	199 187 113	2.196
25	20	10	470	199 187 114	2.354
32	25	10	793	199 187 115	2.591
40	32	10	1290	199 187 116	3.117
50	40	10	1910	199 187 117	3.683
63	50	10	3100	199 187 118	5.383

d [mm]	D [mm]	H [mm]	H1 [mm]	H2 [mm]	H3 [mm]	H5 [mm]	H6 [mm]	L [mm]	L1 [mm]	L2 [mm]	L3 [mm]	L4 [mm]	L5 [mm]	L6 [mm]	L7 [mm]
16	50	231	28	64	94	167	8	110	180	72	36	25	97	83	122
20	50	231	28	64	94	167	8	112	180	72	36	25	97	83	122
25	58	240	32	73	94	167	8	129	180	85	43	25	97	83	122
32	68	240	36	73	94	167	8	146	180	98	49	25	97	83	122
40	84	251	45	84	94	167	9	170	180	118	59	45	97	83	122
50	97	251	51	84	94	167	9	193	180	135	68	45	97	83	122
63	124	273	65	106	94	167	9	244	180	176	88	45	97	83	122

d [mm]	L8 [mm]	M	z [mm]	z1 [mm]	closest inch
16	33	6	82	41	$\frac{3}{8}$
20	33	6	82	41	$\frac{1}{2}$
25	33	6	97	49	$\frac{3}{4}$
32	33	6	110	55	1
40	33	8	132	66	$1 \frac{1}{4}$
50	33	8	151	76	$1 \frac{1}{2}$
63	33	8	188	94	2



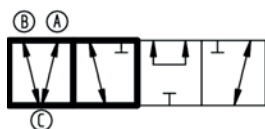
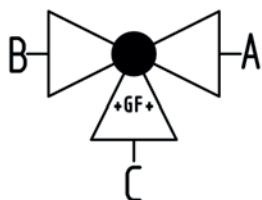
PF 3 39 980 035



SYGEF Standard
3-Way ball valve type 187
Horizontal/T-port 100-230V
With manual emergency override
With threaded sockets NPT

Model:

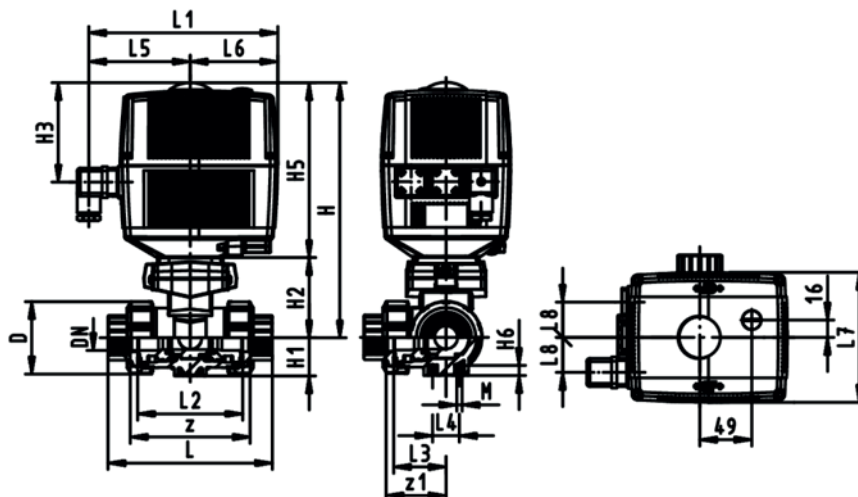
- Material: PVDF
- Built on with electric actuator EA21
- Voltage 100-230 V, 50-60 Hz
- Control range 90°<
- Basic position A-B-C opened, activated position B-C opened, see flow scheme
- Other positions possible by adjusting the limit switches
- Control time 5 s/90°<
- For easy installation and removal
- Integrated stainless steel mounting inserts



NPT [inch]	DN [mm]	PN	kv-value ($\Delta p=1$ bar) [l/min]	FPM Code	kg
3/8	10	10	140	199 187 252	2.189
1/2	15	10	200	199 187 253	2.196
3/4	20	10	470	199 187 254	2.354
1	25	10	793	199 187 255	2.591
1 1/4	32	10	1290	199 187 256	3.117
1 1/2	40	10	1910	199 187 257	3.683
2	50	10	3100	199 187 258	5.383

NPT [inch]	D [mm]	H [mm]	H1 [mm]	H2 [mm]	H3 [mm]	H5 [mm]	H6 [mm]	L [mm]	L1 [mm]	L2 [mm]	L3 [mm]	L4 [mm]	L5 [mm]	L6 [mm]	L7 [mm]
3/8	50	231	28	64	94	167	8	112	180	72	36	25	97	83	122
1/2	50	231	28	64	94	167	8	114	180	72	36	25	97	83	122
3/4	58	240	32	73	94	167	8	131	180	85	43	25	97	83	122
1	68	240	36	73	94	167	8	154	180	98	49	25	97	83	122
1 1/4	84	251	45	84	94	167	9	180	180	118	59	45	97	83	122
1 1/2	97	251	51	84	94	167	9	203	180	135	68	45	97	83	122
2	124	273	65	106	94	167	9	258	180	176	88	45	97	83	122

NPT [inch]	L8 [mm]	M	z [mm]	z1 [mm]
3/8	33	6	86	43
1/2	33	6	80	40
3/4	33	6	95	48
1	33	6	110	55
1 1/4	33	8	132	66
1 1/2	33	8	157	79
2	33	8	210	105



PF 3 39 980 035



SYGEF Standard

3-Way ball valve type 187

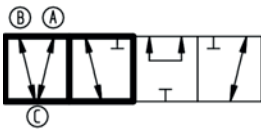
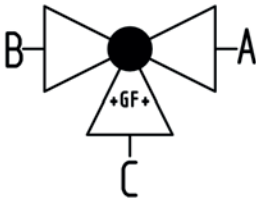
Horizontal/T-port 100-230V

With manual emergency override

With socket fusion spigots metric

Model:

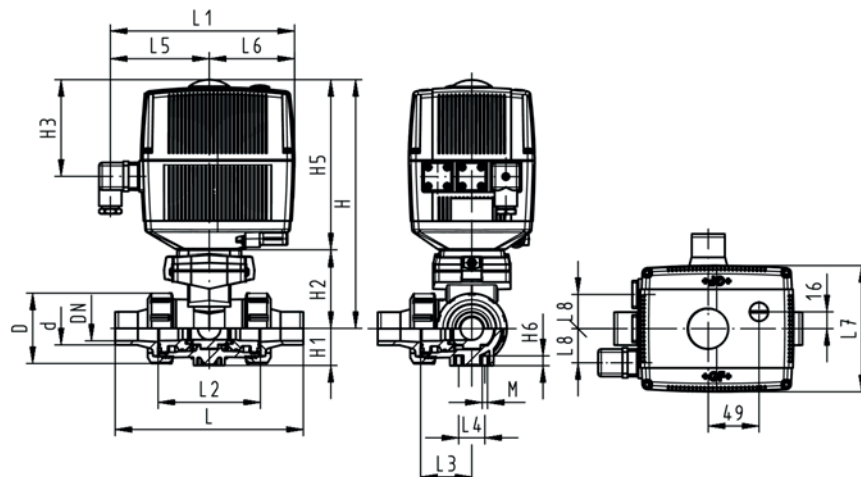
- Material: PVDF
- Built on with electric actuator EA21
- Voltage 100-230 V, 50-60 Hz
- Control range 90°<
- Basic position A-B-C opened, activated position B-C opened, see flow scheme
- Other positions possible by adjusting the limit switches
- Control time 5 s/90°<
- For easy installation and removal
- Integrated stainless steel mounting inserts



d [mm]	DN [mm]	PN	kv-value (Δp=1 bar) [l/min]	FPM Code	kg
16	10	10	140	199 187 032	2.196
20	15	10	200	199 187 033	2.208
25	20	10	470	199 187 034	2.373
32	25	10	793	199 187 035	2.622
40	32	10	1290	199 187 036	3.144
50	40	10	1910	199 187 037	3.764
63	50	10	3100	199 187 038	5.544

d [mm]	D [mm]	H [mm]	H1 [mm]	H2 [mm]	H3 [mm]	H5 [mm]	H6 [mm]	L [mm]	L1 [mm]	L2 [mm]	L3 [mm]	L4 [mm]	L5 [mm]	L6 [mm]	L7 [mm]
16	50	231	28	64	94	167	8	126	180	72	36	25	97	83	122
20	50	231	28	64	94	167	8	136	180	72	36	25	97	83	122
25	58	240	32	73	94	167	8	159	180	85	43	25	97	83	122
32	68	240	36	73	94	167	8	178	180	98	49	25	97	83	122
40	84	251	45	84	94	167	9	204	180	118	59	45	97	83	122
50	97	251	51	84	94	167	9	237	180	135	68	45	97	83	122
63	124	273	65	106	94	167	9	296	180	176	88	45	97	83	122

d [mm]	L8 [mm]	M	closest inch
16	33	6	3/8
20	33	6	1/2
25	33	6	3/4
32	33	6	1
40	33	8	1 1/4
50	33	8	1 1/2
63	33	8	2



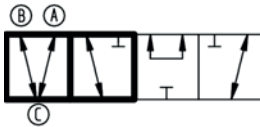
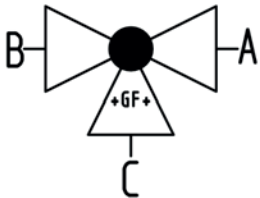
PF 3 39 980 035



SYGEF Standard
3-Way ball valve type 187
Horizontal/T-port 100-230V
With manual emergency override
With butt fusion spigots IR-Plus metric

Model:

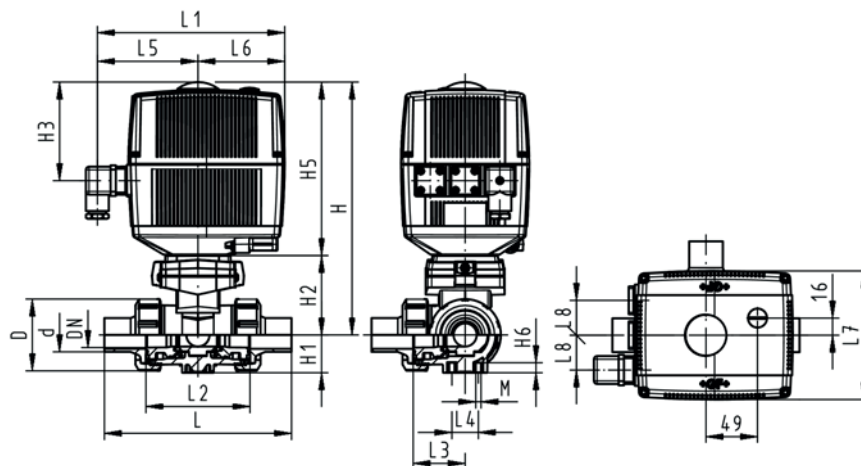
- Material: PVDF
- Built on with electric actuator EA21
- Voltage 100-230 V, 50-60 Hz
- Control range 90°<
- Basic position A-B-C opened, activated position B-C opened, see flow scheme
- Other positions possible by adjusting the limit switches
- Control time 5 s/90°<
- For easy installation and removal
- Integrated stainless steel mounting inserts



d [mm]	DN [mm]	PN	kv-value ($\Delta p=1$ bar) [l/min]	FPM Code	kg
20	15	10	200	199 187 073	2.208
25	20	10	470	199 187 074	2.373
32	25	10	793	199 187 075	2.622
40	32	10	1290	199 187 076	3.144
50	40	10	1910	199 187 077	3.764
63	50	10	3100	199 187 078	5.544

d [mm]	D [mm]	H [mm]	H1 [mm]	H2 [mm]	H3 [mm]	H5 [mm]	H6 [mm]	L [mm]	L1 [mm]	L2 [mm]	L3 [mm]	L4 [mm]	L5 [mm]	L6 [mm]	L7 [mm]
20	50	231	28	64	94	167	8	146	180	72	36	25	97	83	122
25	58	240	32	73	94	167	8	163	180	85	43	25	97	83	122
32	68	240	36	73	94	167	8	178	180	98	49	25	97	83	122
40	84	251	45	84	94	167	9	204	180	118	59	45	97	83	122
50	97	251	51	84	94	167	9	237	180	135	68	45	97	83	122
63	124	273	65	106	94	167	9	296	180	176	88	45	97	83	122

d [mm]	L8 [mm]	M	closest inch
20	33	6	1/2
25	33	6	3/4
32	33	6	1
40	33	8	1 1/4
50	33	8	1 1/2
63	33	8	2



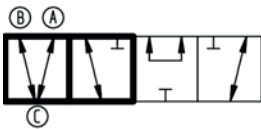
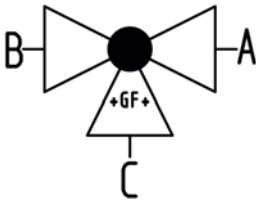
PF 3 39 980 035



SYGEF Standard 3-Way ball valve type 187 Horizontal/T-port 24V With manual emergency override With fusion sockets metric

Model:

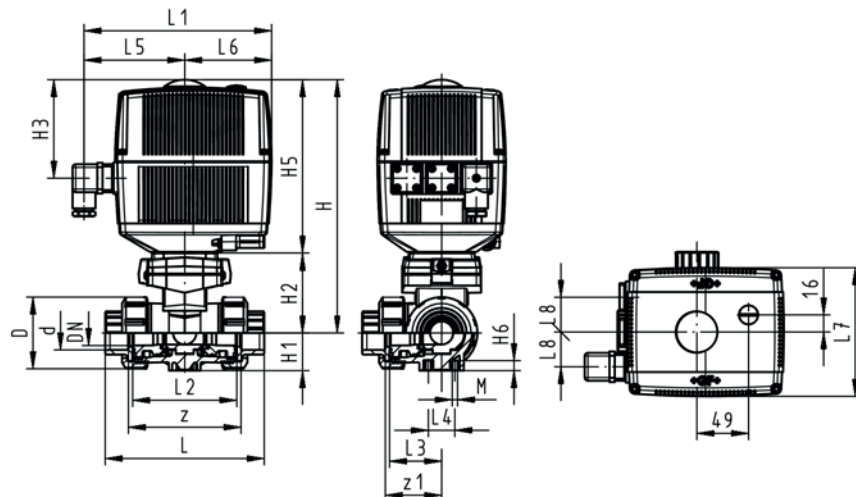
- Material: PVDF
- Built on with electric actuator EA21
- Voltage 24 V AC/DC
- Control range 90°<
- Basic position A-B-C opened, activated position B-C opened, see flow scheme
- Other positions possible by adjusting the limit switches
- Control time 5 s/90°<
- For easy installation and removal
- Integrated stainless steel mounting inserts



d [mm]	DN [mm]	PN	kv-value ($\Delta p=1$ bar) [l/min]	FPM Code	kg
16	10	10	140	199 187 232	2.189
20	15	10	200	199 187 233	2.196
25	20	10	470	199 187 234	2.354
32	25	10	793	199 187 235	2.591
40	32	10	1290	199 187 236	3.117
50	40	10	1910	199 187 237	3.683
63	50	10	3100	199 187 238	5.383

d [mm]	D [mm]	H [mm]	H1 [mm]	H2 [mm]	H3 [mm]	H5 [mm]	H6 [mm]	L [mm]	L1 [mm]	L2 [mm]	L3 [mm]	L4 [mm]	L5 [mm]	L6 [mm]	L7 [mm]
16	50	231	28	64	94	167	8	110	180	72	36	25	97	83	122
20	50	231	28	64	94	167	8	112	180	72	36	25	97	83	122
25	58	240	32	73	94	167	8	129	180	85	43	25	97	83	122
32	68	240	36	73	94	167	8	146	180	98	49	25	97	83	122
40	84	251	45	84	94	167	9	170	180	118	59	45	97	83	122
50	97	251	51	84	94	167	9	193	180	135	68	45	97	83	122
63	124	273	65	106	94	167	9	244	180	176	88	45	97	83	122

d [mm]	L8 [mm]	M	z [mm]	z1 [mm]	closest inch
16	33	6	82	41	$\frac{3}{8}$
20	33	6	82	41	$\frac{1}{2}$
25	33	6	97	49	$\frac{3}{4}$
32	33	6	110	55	1
40	33	8	132	66	$1 \frac{1}{4}$
50	33	8	151	76	$1 \frac{1}{2}$
63	33	8	188	94	2



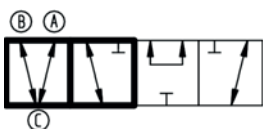
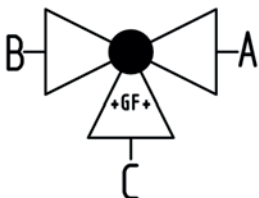
PF 3 39 980 035



SYGEF Standard 3-Way ball valve type 187 Horizontal/T-port 24V With manual emergency override With threaded sockets NPT

Model:

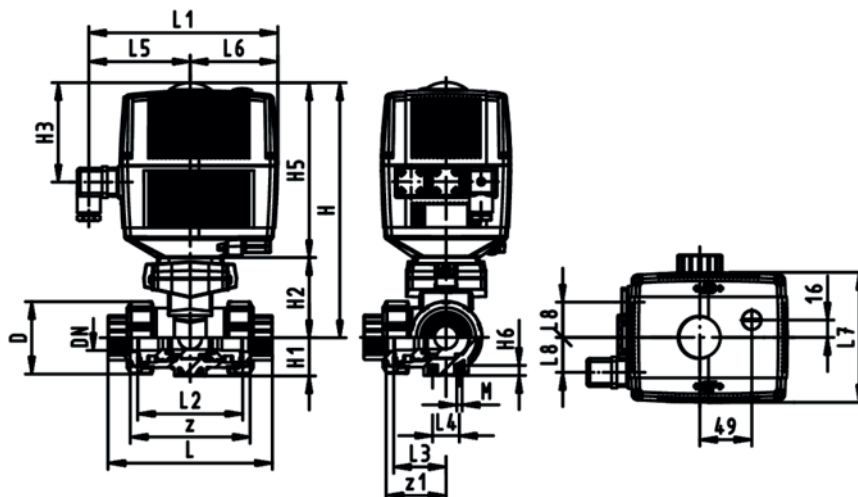
- Material: PVDF
- Built on with electric actuator EA21
- Voltage 24 V AC/DC
- Control range 90°<
- Basic position A-B-C opened, activated position B-C opened, see flow scheme
- Other positions possible by adjusting the limit switches
- Control time 5 s/90°<
- For easy installation and removal
- Integrated stainless steel mounting inserts



NPT [inch]	DN [mm]	PN	kv-value ($\Delta p=1$ bar) [l/min]	FPM Code	kg
3/8	10	10	140	199 187 272	2.189
1/2	15	10	200	199 187 273	2.196
3/4	20	10	470	199 187 274	2.354
1	25	10	793	199 187 275	2.591
1 1/4	32	10	1290	199 187 276	3.117
1 1/2	40	10	1910	199 187 277	3.683
2	50	10	3100	199 187 278	5.383

NPT [inch]	D [mm]	H [mm]	H1 [mm]	H2 [mm]	H3 [mm]	H5 [mm]	H6 [mm]	L [mm]	L1 [mm]	L2 [mm]	L3 [mm]	L4 [mm]	L5 [mm]	L6 [mm]	L7 [mm]
3/8	50	231	28	64	94	167	8	112	180	72	36	25	97	83	122
1/2	50	231	28	64	94	167	8	114	180	72	36	25	97	83	122
3/4	58	240	32	73	94	167	8	131	180	85	43	25	97	83	122
1	68	240	36	73	94	167	8	154	180	98	49	25	97	83	122
1 1/4	84	251	45	84	94	167	9	180	180	118	59	45	97	83	122
1 1/2	97	251	51	84	94	167	9	203	180	135	68	45	97	83	122
2	124	273	65	106	94	167	9	258	180	176	88	45	97	83	122

NPT [inch]	L8 [mm]	M	z [mm]	z1 [mm]
3/8	33	6	86	43
1/2	33	6	80	40
3/4	33	6	95	48
1	33	6	110	55
1 1/4	33	8	132	66
1 1/2	33	8	157	79
2	33	8	210	105



PF 3 39 980 035



SYGEF Standard

3-Way ball valve type 187

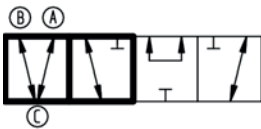
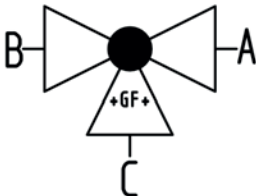
Horizontal/T-port 24V

With manual emergency override

With socket fusion spigots metric

Model:

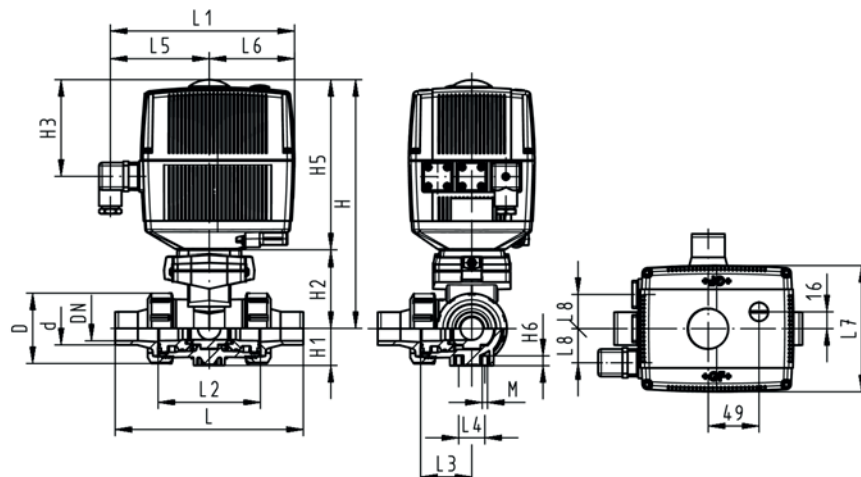
- Material: PVDF
- Built on with electric actuator EA21
- Voltage 24 V AC/DC
- Control range 90°<
- Basic position A-B-C opened, activated position B-C opened, see flow scheme
- Other positions possible by adjusting the limit switches
- Control time 5 s/90°<
- For easy installation and removal
- Integrated stainless steel mounting inserts



d [mm]	DN [mm]	PN	kv-value ($\Delta p=1$ bar) [l/min]	FPM Code	kg
16	10	10	140	199 187 152	2.196
20	15	10	200	199 187 153	2.208
25	20	10	470	199 187 154	2.373
32	25	10	793	199 187 155	2.622
40	32	10	1290	199 187 156	3.144
50	40	10	1910	199 187 157	3.764
63	50	10	3100	199 187 158	5.544

d [mm]	D [mm]	H [mm]	H1 [mm]	H2 [mm]	H3 [mm]	H5 [mm]	H6 [mm]	L [mm]	L1 [mm]	L2 [mm]	L3 [mm]	L4 [mm]	L5 [mm]	L6 [mm]	L7 [mm]
16	50	231	28	64	94	167	8	126	180	72	36	25	97	83	122
20	50	231	28	64	94	167	8	136	180	72	36	25	97	83	122
25	58	240	32	73	94	167	8	159	180	85	43	25	97	83	122
32	68	240	36	73	94	167	8	178	180	98	49	25	97	83	122
40	84	251	45	84	94	167	9	204	180	118	59	45	97	83	122
50	97	251	51	84	94	167	9	237	180	135	68	45	97	83	122
63	124	273	65	106	94	167	9	296	180	176	88	45	97	83	122

d [mm]	L8 [mm]	M	closest inch
16	33	6	$\frac{3}{8}$
20	33	6	$\frac{1}{2}$
25	33	6	$\frac{3}{4}$
32	33	6	1
40	33	8	$1 \frac{1}{4}$
50	33	8	$1 \frac{1}{2}$
63	33	8	2



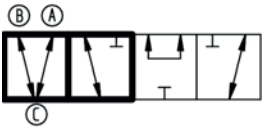
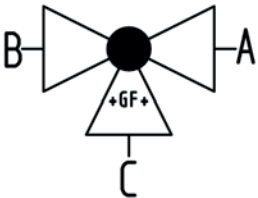
PF 3 39 980 035



SYGEF Standard
3-Way ball valve type 187
Horizontal/T-port 24V
With manual emergency override
With butt fusion spigots IR-Plus metric

Model:

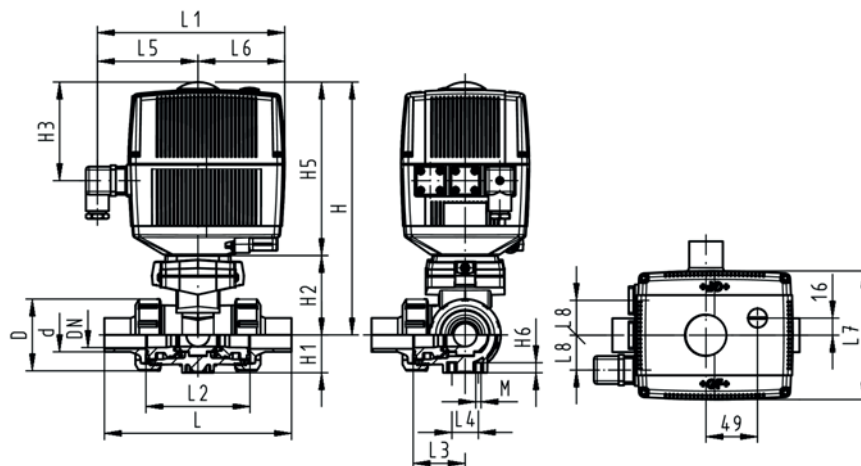
- Material: PVDF
- Built on with electric actuator EA21
- Voltage 24 V AC/DC
- Control range 90°<
- Basic position A-B-C opened, activated position B-C opened, see flow scheme
- Other positions possible by adjusting the limit switches
- Control time 5 s/90°<
- For easy installation and removal
- Integrated stainless steel mounting inserts



d [mm]	DN [mm]	PN	kv-value ($\Delta p=1$ bar) [l/min]	FPM Code	kg
20	15	10	200	199 187 193	2.208
25	20	10	470	199 187 194	2.373
32	25	10	793	199 187 195	2.622
40	32	10	1290	199 187 196	3.144
50	40	10	1910	199 187 197	3.764
63	50	10	3100	199 187 198	5.544

d [mm]	D [mm]	H [mm]	H1 [mm]	H2 [mm]	H3 [mm]	H5 [mm]	H6 [mm]	L [mm]	L1 [mm]	L2 [mm]	L3 [mm]	L4 [mm]	L5 [mm]	L6 [mm]	L7 [mm]
20	50	231	28	64	94	167	8	146	180	72	36	25	97	83	122
25	58	240	32	73	94	167	8	163	180	85	43	25	97	83	122
32	68	240	36	73	94	167	8	178	180	98	49	25	97	83	122
40	84	251	45	84	94	167	9	204	180	118	59	45	97	83	122
50	97	251	51	84	94	167	9	237	180	135	68	45	97	83	122
63	124	273	65	106	94	167	9	296	180	176	88	45	97	83	122

d [mm]	L8 [mm]	M	closest inch
20	33	6	1/2
25	33	6	3/4
32	33	6	1
40	33	8	1 1/4
50	33	8	1 1/2
63	33	8	2



PF 3 39 980 035

Ball valves pneumatic

SYGEF Standard Ball valve type 232 Function FC (Fail safe to close) With manual override With fusion Sockets metric



Model:

- Material: PVDF
- Built on with pneumatic actuator PA11 (DN10/15-25), PA21 (DN32-50)
- For easy installation and removal
- Integrated stainless steel mounting inserts
- Control time $90^\circ <$ 1-2 s

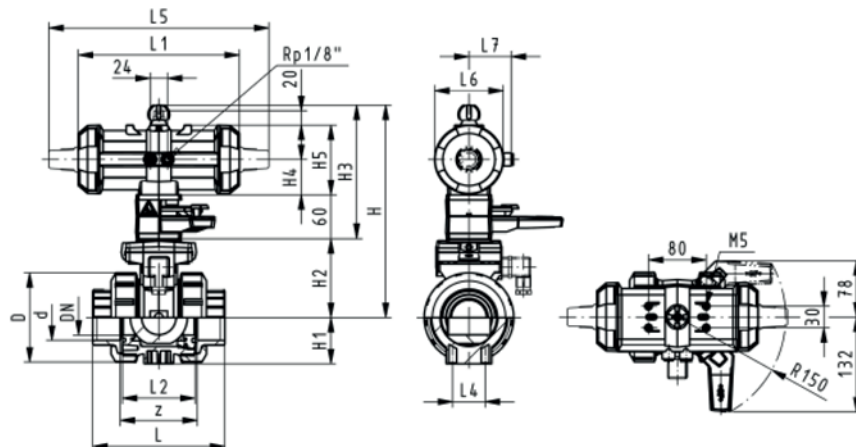
Option:

- Individual configuration of the valve (see diagram)

d [mm]	DN [mm]	PN	kv-value ($\Delta p=1$ bar) [l/min]	FPM Code	kg
16	10	10	70	199 232 012	1.500
20	15	10	185	199 232 013	1.500
25	20	10	350	199 232 014	1.600
32	25	10	700	199 232 015	1.700
40	32	10	1000	199 232 016	2.800
50	40	10	1600	199 232 017	3.100
63	50	10	3100	199 232 018	4.000

d [mm]	D [mm]	H [mm]	H1 [mm]	H2 [mm]	H3 [mm]	H4 [mm]	H5 [mm]	L [mm]	L1 [mm]	L2 [mm]	L4 [mm]	L5 [mm]	L6 [mm]	L7 [mm]	z [mm]
16	50	230	27	62	168	40	77	92	194	56	25	261	76	48	64
20	50	230	27	62	168	40	77	95	194	56	25	261	76	48	64
25	58	239	30	71	168	40	77	110	194	65	25	261	76	48	72
32	68	239	36	71	168	40	77	123	194	71	25	261	76	48	79
40	84	271	44	84	187	51	99	146	224	85	45	305	95	59	94
50	97	271	51	84	187	51	99	157	224	89	45	305	95	59	95
63	124	293	64	106	187	51	99	183	224	101	45	305	95	59	107

d [mm]	closest inch
16	$\frac{3}{8}$
20	$\frac{1}{2}$
25	$\frac{3}{4}$
32	1
40	$1 \frac{1}{4}$
50	$1 \frac{1}{2}$
63	2



PF 3 39 696 035



DN10/15 - 50

SYGEF Standard Ball valve type 232 Function FC (Fail safe to close) With manual override With socket fusion spigots metric

Model:

- Material: PVDF
- Built on with pneumatic actuator PA11 (DN10/15-25), PA21 (DN32-50)
- For easy installation and removal
- Integrated stainless steel mounting inserts
- Control time 90°<) 1-2 s

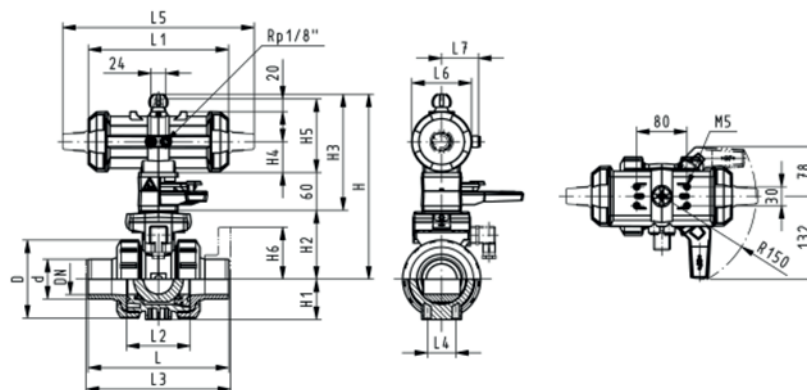
Option:

- Individual configuration of the valve (see diagram)

d [mm]	DN [mm]	PN	kv-value ($\Delta p=1$ bar) [l/min]	FPM Code	kg
16	10	10	70	199 232 032	1.500
20	15	10	185	199 232 033	1.304
25	20	10	350	199 232 034	1.439
32	25	10	700	199 232 035	1.700
40	32	10	1000	199 232 036	3.105
50	40	10	1600	199 232 037	3.100
63	50	10	3100	199 232 038	4.000

d [mm]	D [mm]	H [mm]	H1 [mm]	H2 [mm]	H3 [mm]	H4 [mm]	H5 [mm]	L [mm]	L1 [mm]	L2 [mm]	L3 [mm]	L4 [mm]	L5 [mm]	L6 [mm]	L7 [mm]
16	50	159	27	62	168	40	77	92	194	56	130	25	261	76	48
20	50	159	27	62	168	40	77	95	194	56	130	25	261	76	48
25	58	168	30	71	168	40	77	110	194	65	150	25	261	76	48
32	68	168	36	71	168	40	77	123	194	71	160	25	261	76	48
40	84	202	44	84	187	51	99	146	224	85	180	45	305	95	59
50	97	202	51	84	187	51	99	157	224	89	200	45	305	95	59
63	124	225	64	106	187	51	99	183	224	101	230	45	305	95	59

d [mm]	closest inch
16	3/8
20	1/2
25	3/4
32	1
40	1 1/4
50	1 1/2
63	2



PF 3 39 696 035



DN10/15 - 50

SYGEF Standard Ball valve type 232 Function FC (Fail safe to close) With manual override With fixed flanges PVDF serrated metric

Model:

- Material: PVDF
- Built on with pneumatic actuator PA11 (DN10/15-25), PA21 (DN32-50)
- For easy installation and removal
- Integrated stainless steel mounting inserts
- Control time $90^\circ <$) 1-2 s
- Connecting dimensions: ISO 7005 / EN 1092 / DIN 2501 PN10 / BS4504

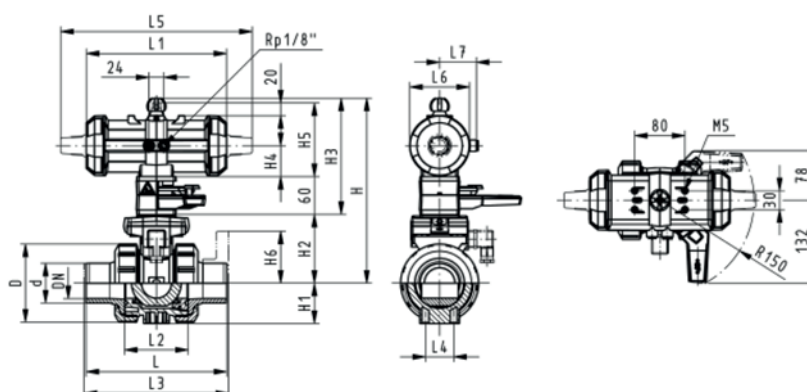
Option:

- Individual configuration of the valve (see diagram)

d [mm]	DN [mm]	Inch	PN	kv-value ($\Delta p=1$ bar) [l/min]	FPM Code	kg
20	15	1/2	10	185	199 232 003	1.700
25	20	3/4	10	350	199 232 004	1.900
32	25	1	10	700	199 232 005	2.100
40	32	1 1/4	10	1000	199 232 006	3.400
50	40	1 1/2	10	1600	199 232 007	3.900
63	50	2	10	3100	199 232 008	5.000

d [mm]	D [mm]	H [mm]	H1 [mm]	H2 [mm]	H3 [mm]	H4 [mm]	H5 [mm]	H6 [mm]	L [mm]	L1 [mm]	L2 [mm]	L3 [mm]	L4 [mm]	L5 [mm]	L6 [mm]
20	50	230	27	62	168	40	77	48	124	194	56	130	25	261	76
25	58	239	30	71	168	40	77	53	144	194	65	150	25	261	76
32	68	239	36	71	168	40	77	58	154	194	71	160	25	261	76
40	84	271	44	84	187	51	99	70	174	224	85	180	45	305	95
50	97	271	51	84	187	51	99	75	194	224	89	200	45	305	95
63	124	293	64	106	187	51	99	83	224	224	101	230	45	305	95

d [mm]	L7 [mm]
20	48
25	48
32	48
40	59
50	59
63	59



PF 3 39 696 035



DN10/15 - 50

SYGEF Standard Ball valve type 232 Function FC (Fail safe to close) With manual override With butt fusion spigots IR-Plus metric

Model:

- Material: PVDF
- Built on with pneumatic actuator PA11 (DN10/15-25), PA21 (DN32-50)
- For easy installation and removal
- Integrated stainless steel mounting inserts
- Control time 90°<) 1-2 s

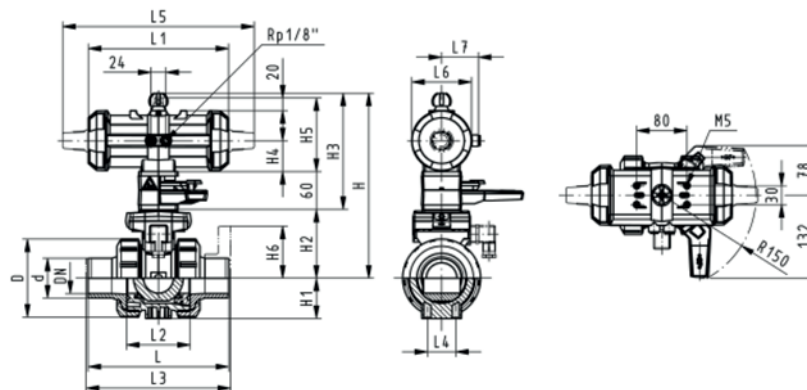
Option:

- Individual configuration of the valve (see diagram)

d [mm]	DN [mm]	PN	kv-value ($\Delta p=1$ bar) [l/min]	FPM Code	kg
20	15	10	185	199 232 713	1.200
25	20	10	350	199 232 714	1.300
32	25	10	700	199 232 715	1.566
40	32	10	1000	199 232 716	2.602
50	40	10	1600	199 232 717	2.887
63	50	10	3100	199 232 718	4.000

d [mm]	D [mm]	H [mm]	H1 [mm]	H2 [mm]	H3 [mm]	H4 [mm]	H5 [mm]	L [mm]	L1 [mm]	L2 [mm]	L4 [mm]	L5 [mm]	L6 [mm]	L7 [mm]
20	50	230	27	62	168	40	77	130	194	56	25	261	76	48
25	58	239	30	71	168	40	77	130	194	65	25	261	76	48
32	68	239	36	71	168	40	77	130	194	71	25	261	76	48
40	84	271	44	84	187	51	99	130	224	85	45	305	95	59
50	97	271	51	84	187	51	99	130	224	89	45	305	95	59
63	124	293	64	106	187	51	99	130	224	101	45	305	95	59

d [mm]	closest inch
20	1/2
25	3/4
32	1
40	1 1/4
50	1 1/2
63	2



PF 3 39 695 035



DN10/15 - 50

SYGEF Standard Ball valve type 232 Function FO (Fail safe to open) With manual override With butt fusion spigots IR-Plus metric

Model:

- Material: PVDF
- Built on with pneumatic actuator PA11 (DN10/15-25), PA21 (DN32-50)
- For easy installation and removal
- Integrated stainless steel mounting inserts
- Control time 90° < 1-2 s

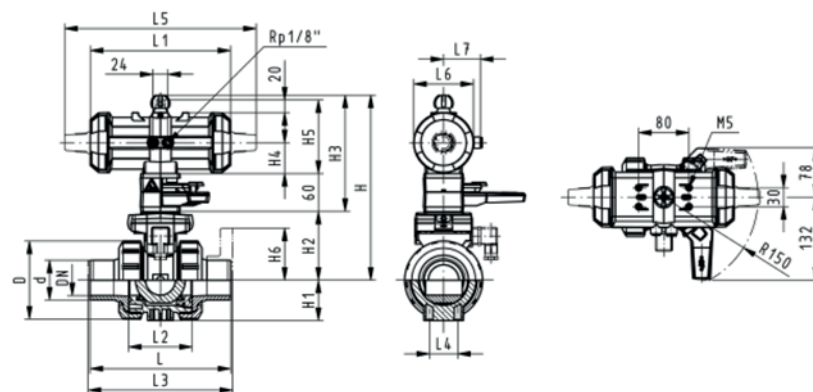
Option:

- Individual configuration of the valve (see diagram)

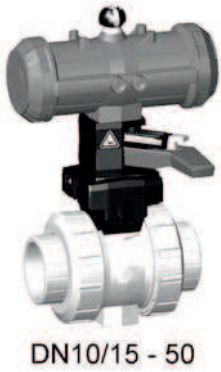
d [mm]	DN [mm]	PN	kv-value ($\Delta p=1$ bar) [l/min]	FPM Code	kg
20	15	10	185	199 232 753	1.200
25	20	10	350	199 232 754	1.300
32	25	10	700	199 232 755	1.400
40	32	10	1000	199 232 756	2.500
50	40	10	1600	199 232 757	2.800
63	50	10	3100	199 232 758	3.700

d [mm]	D [mm]	H [mm]	H1 [mm]	H2 [mm]	H3 [mm]	H4 [mm]	H5 [mm]	L [mm]	L1 [mm]	L2 [mm]	L4 [mm]	L5 [mm]	L6 [mm]	L7 [mm]
20	50	159	27	62	168	40	77	130	194	56	25	261	76	48
25	58	168	30	71	168	40	77	130	194	65	25	261	76	48
32	68	168	36	71	168	40	77	130	194	71	25	261	76	48
40	84	202	44	84	187	51	99	130	224	85	45	305	95	59
50	97	202	51	84	187	51	99	130	224	89	45	305	95	59
63	124	225	64	106	187	51	99	130	224	101	45	305	95	59

d [mm]	closest inch
20	1/2
25	3/4
32	1
40	1 1/4
50	1 1/2
63	2



PF 3 39 695 035



SYGEF Standard
Ball valve type 232
Function FO (Fail safe to open)
With manual override
With fusion sockets metric

Model:

- Material: PVDF
- Built on with pneumatic actuator PA11 (DN10/15-25), PA21 (DN32-50)
- For easy installation and removal
- Integrated stainless steel mounting inserts
- Control time 90°<) 1-2 s

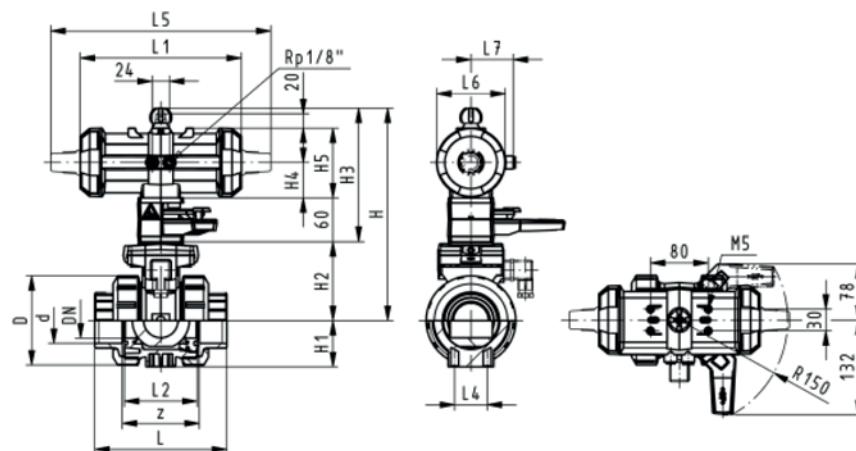
Option:

- Individual configuration of the valve (see diagram)

d [mm]	DN [mm]	PN	kv-value ($\Delta p=1$ bar) [l/min]	FPM Code	kg
16	10	10	70	199 232 052	1.500
20	15	10	185	199 232 053	1.500
25	20	10	350	199 232 054	1.600
32	25	10	700	199 232 055	1.700
40	32	10	1000	199 232 056	2.800
50	40	10	1600	199 232 057	3.100
63	50	10	3100	199 232 058	3.728

d [mm]	D [mm]	H [mm]	H1 [mm]	H2 [mm]	H3 [mm]	H4 [mm]	H5 [mm]	L [mm]	L1 [mm]	L2 [mm]	L4 [mm]	L5 [mm]	L6 [mm]	L7 [mm]	z [mm]
16	50	230	27	62	168	40	77	92	194	56	25	261	76	48	64
20	50	230	27	62	168	40	77	95	194	56	25	261	76	48	64
25	58	239	30	71	168	40	77	110	194	65	25	261	76	48	72
32	68	239	36	71	168	40	77	123	194	71	25	261	76	48	79
40	84	271	44	84	187	51	99	146	224	85	45	305	95	59	94
50	97	271	51	84	187	51	99	157	224	89	45	305	95	59	95
63	124	293	64	106	187	51	99	183	224	101	45	305	95	59	107

d [mm]	closest inch
16	3/8
20	1/2
25	3/4
32	1
40	1 1/4
50	1 1/2
63	2



PF 3 39 696 035



DN10/15 - 50

**SYGEF Standard
Ball valve type 232
Function FO (Fail safe to open)
With manual override
With socket fusion spigots metric**

Model:

- Material: PVDF
- Built on with pneumatic actuator PA11 (DN10/15-25), PA21 (DN32-50)
- For easy installation and removal
- Integrated stainless steel mounting inserts
- Control time 90° < 1-2 s

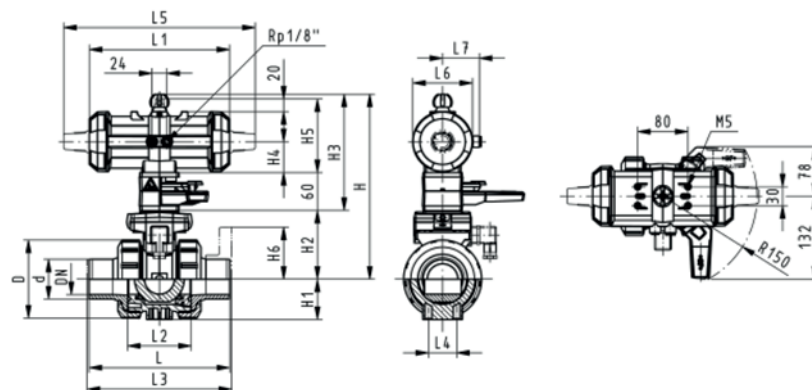
Option:

- Individual configuration of the valve (see diagram)

d [mm]	DN [mm]	PN	kv-value ($\Delta p=1$ bar) [l/min]	FPM Code	kg
16	10	10	70	199 232 072	1.500
20	15	10	185	199 232 073	1.500
25	20	10	350	199 232 074	1.600
32	25	10	700	199 232 075	1.700
40	32	10	1000	199 232 076	2.800
50	40	10	1600	199 232 077	3.100
63	50	10	3100	199 232 078	4.000

d [mm]	D [mm]	H [mm]	H1 [mm]	H2 [mm]	H3 [mm]	H4 [mm]	H5 [mm]	L [mm]	L1 [mm]	L2 [mm]	L3 [mm]	L4 [mm]	L5 [mm]	L6 [mm]	L7 [mm]
16	50	159	27	62	168	40	77	92	194	56	130	25	261	76	48
20	50	159	27	62	168	40	77	95	194	56	130	25	261	76	48
25	58	168	30	71	168	40	77	110	194	65	150	25	261	76	48
32	68	168	36	71	168	40	77	123	194	71	160	25	261	76	48
40	84	202	44	84	187	51	99	146	224	85	180	45	305	95	59
50	97	202	51	84	187	51	99	157	224	89	200	45	305	95	59
63	124	225	64	106	187	51	99	183	224	101	230	45	305	95	59

d [mm]	closest inch
16	3/8
20	1/2
25	3/4
32	1
40	1 1/4
50	1 1/2
63	2



PF 3 39 696 035



SYGEF Standard
Ball valve type 232
Function FO (Fail safe to open)
With manual override
With fixed flanges PVDF serrated metric

Model:

- Material: PVDF
- Built on with pneumatic actuator PA11 (DN10/15-25), PA21 (DN32-50)
- For easy installation and removal
- Integrated stainless steel mounting inserts
- Control time 90°(<) 1-2 s
- Overall length EN 558
- Connecting dimensions: ISO 7005 / EN 1092 / DIN 2501 PN10 / BS4504

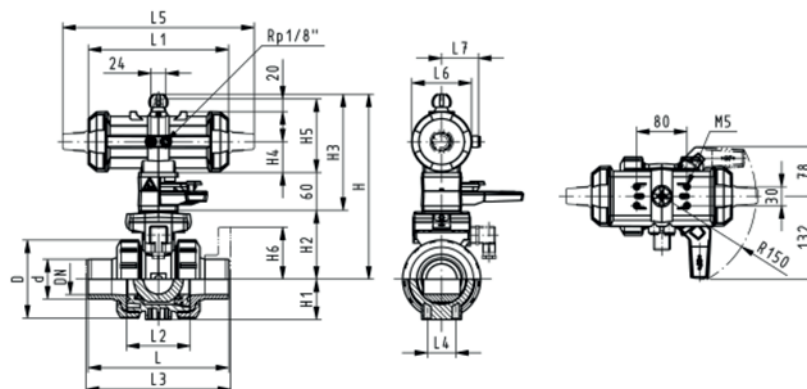
Option:

- Individual configuration of the valve (see diagram)

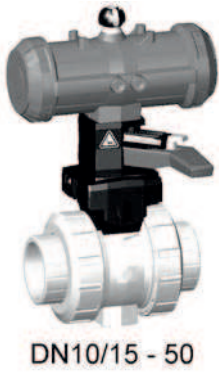
d [mm]	DN [mm]	Inch	PN	kv-value ($\Delta p=1$ bar) [l/min]	FPM Code	kg
20	15	1/2	10	185	199 232 023	1.700
25	20	3/4	10	350	199 232 024	1.900
32	25	1	10	700	199 232 025	2.100
40	32	1 1/4	10	1000	199 232 026	3.400
50	40	1 1/2	10	1600	199 232 027	3.900
63	50	2	10	3100	199 232 028	5.000

d [mm]	D [mm]	H [mm]	H1 [mm]	H2 [mm]	H3 [mm]	H4 [mm]	H5 [mm]	H6 [mm]	L [mm]	L1 [mm]	L2 [mm]	L3 [mm]	L4 [mm]	L5 [mm]	L6 [mm]
20	50	230	27	62	168	40	77	48	124	194	56	130	25	261	76
25	58	239	30	71	168	40	77	53	144	194	65	150	25	261	76
32	68	239	36	71	168	40	77	58	154	194	71	160	25	261	76
40	84	271	44	84	187	51	99	70	174	224	85	180	45	305	95
50	97	271	51	84	187	51	99	75	194	224	89	200	45	305	95
63	124	293	64	106	187	51	99	83	224	224	101	230	45	305	95

d [mm]	L7 [mm]
20	48
25	48
32	48
40	59
50	59
63	59



PF 3 39 696 035



SYGEF Standard Ball valve type 232 Function DA (Double acting) With manual override With fusion sockets metric

Model:

- Material: PVDF
- Built on with pneumatic actuator PA11 (DN10/15-25), PA21 (DN32-50)
- For easy installation and removal
- Integrated stainless steel mounting inserts
- Control time $90^\circ <$ 1-2 s

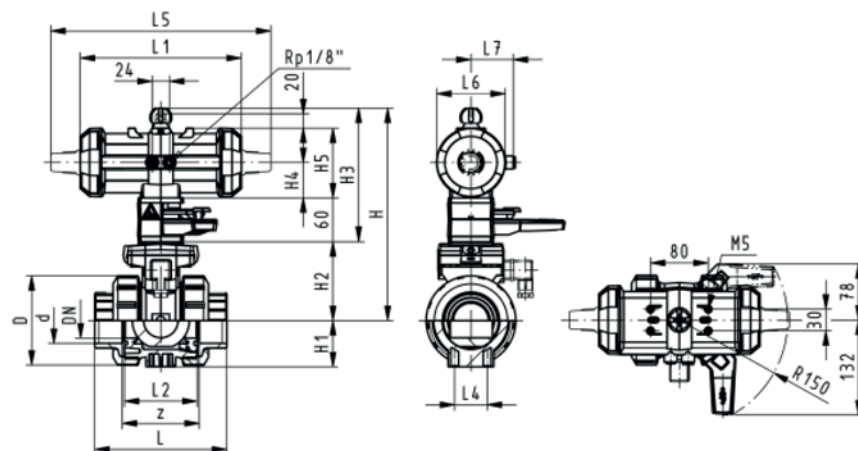
Option:

- Individual configuration of the valve (see diagram)

d [mm]	DN [mm]	PN	kv-value ($\Delta p=1$ bar) [l/min]	FPM Code	kg
16	10	10	70	199 232 092	1.500
20	15	10	185	199 232 093	1.500
25	20	10	350	199 232 094	1.600
32	25	10	700	199 232 095	1.331
40	32	10	1000	199 232 096	2.800
50	40	10	1600	199 232 097	3.100
63	50	10	3100	199 232 098	4.000

d [mm]	D [mm]	H [mm]	H1 [mm]	H2 [mm]	H3 [mm]	H4 [mm]	H5 [mm]	L [mm]	L1 [mm]	L2 [mm]	L4 [mm]	L5 [mm]	L6 [mm]	L7 [mm]	z [mm]
16	50	230	27	62	168	40	77	92	194	56	25	261	76	48	64
20	50	230	27	62	168	40	77	95	194	56	25	261	76	48	64
25	58	239	30	71	168	40	77	110	194	65	25	261	76	48	72
32	68	239	36	71	168	40	77	123	194	71	25	261	76	48	79
40	84	271	44	84	187	51	99	146	224	85	45	305	95	59	94
50	97	271	51	84	187	51	99	157	224	89	45	305	95	59	95
63	124	293	64	106	187	51	99	183	224	101	45	305	95	59	107

d [mm]	closest inch
16	$\frac{3}{8}$
20	$\frac{1}{2}$
25	$\frac{3}{4}$
32	1
40	$1 \frac{1}{4}$
50	$1 \frac{1}{2}$
63	2



PF 3 39 696 035



DN10/15 - 50

SYGEF Standard Ball valve type 232 Function DA (Double acting) With manual override With socket fusion spigots metric

Model:

- Material: PVDF
- Built on with pneumatic actuator PA11 (DN10/15-25), PA21 (DN32-50)
- For easy installation and removal
- Integrated stainless steel mounting inserts
- Control time 90°<) 1-2 s

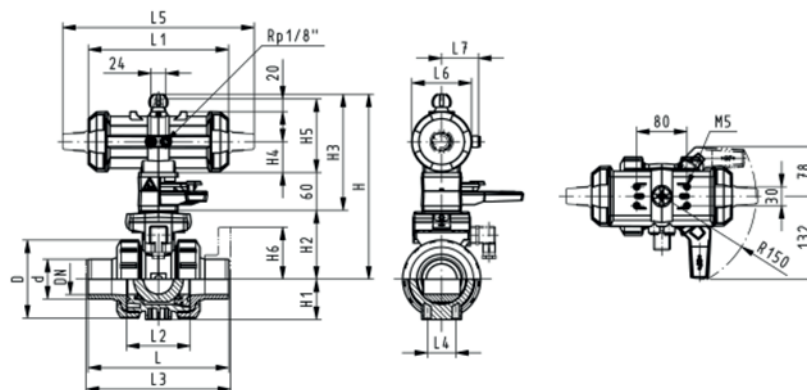
Option:

- Individual configuration of the valve (see diagram)

d [mm]	DN [mm]	PN	kv-value ($\Delta p=1$ bar) [l/min]	FPM Code	kg
16	10	10	70	199 232 112	1.500
20	15	10	185	199 232 113	1.500
25	20	10	350	199 232 114	1.600
32	25	10	700	199 232 115	1.700
40	32	10	1000	199 232 116	2.800
50	40	10	1600	199 232 117	3.100
63	50	10	3100	199 232 118	4.000

d [mm]	D [mm]	H [mm]	H1 [mm]	H2 [mm]	H3 [mm]	H4 [mm]	H5 [mm]	L [mm]	L1 [mm]	L2 [mm]	L3 [mm]	L4 [mm]	L5 [mm]	L6 [mm]	L7 [mm]
16	50	159	27	62	168	40	77	92	194	56	130	25	261	76	48
20	50	159	27	62	168	40	77	95	194	56	130	25	261	76	48
25	58	168	30	71	168	40	77	110	194	65	150	25	261	76	48
32	68	168	36	71	168	40	77	123	194	71	160	25	261	76	48
40	84	202	44	84	187	51	99	146	224	85	180	45	305	95	59
50	97	202	51	84	187	51	99	157	224	89	200	45	305	95	59
63	124	225	64	106	187	51	99	183	224	101	230	45	305	95	59

d [mm]	closest inch
16	3/8
20	1/2
25	3/4
32	1
40	1 1/4
50	1 1/2
63	2



PF 3 39 696 035



**SYGEF Standard
Ball valve type 232
Function DA (Double acting)
With manual override
With fixed flanges PVDF serrated metric**

Model:

- Material: PVDF
- Built on with pneumatic actuator PA11 (DN10/15-25), PA21 (DN32-50)
- For easy installation and removal
- Integrated stainless steel mounting inserts
- Control time $90^\circ <$) 1-2 s
- Overall length EN 558
- Connecting dimensions: ISO 7005 / EN 1092 / DIN 2501 PN10 / BS4504

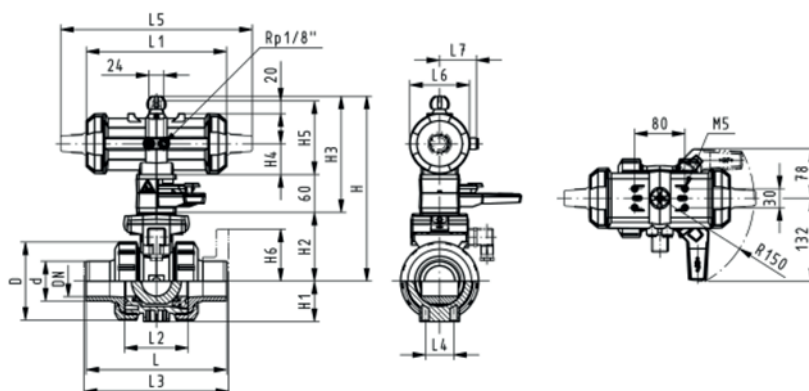
Option:

- Individual configuration of the valve (see diagram)

d [mm]	DN [mm]	Inch	PN	kv-value ($\Delta p=1$ bar) [l/min]	FPM Code	kg
20	15	1/2	10	185	199 232 043	1.700
25	20	3/4	10	350	199 232 044	1.900
32	25	1	10	700	199 232 045	2.100
40	32	1 1/4	10	1000	199 232 046	3.400
50	40	1 1/2	10	1600	199 232 047	3.900
63	50	2	10	3100	199 232 048	5.000

d [mm]	D [mm]	H [mm]	H1 [mm]	H2 [mm]	H3 [mm]	H4 [mm]	H5 [mm]	H6 [mm]	L [mm]	L1 [mm]	L2 [mm]	L3 [mm]	L4 [mm]	L5 [mm]	L6 [mm]
20	50	230	27	62	168	40	77	48	124	194	56	130	25	261	76
25	58	239	30	71	168	40	77	53	144	194	65	150	25	261	76
32	68	239	36	71	168	40	77	58	154	194	71	160	25	261	76
40	84	271	44	84	187	51	99	70	174	224	85	180	45	305	95
50	97	271	51	84	187	51	99	75	194	224	89	200	45	305	95
63	124	293	64	106	187	51	99	83	224	224	101	230	45	305	95

d [mm]	L7 [mm]
20	48
25	48
32	48
40	59
50	59
63	59



PF 3 39 696 035



DN10/15 - 50

SYGEF Standard Ball valve type 232 Function DA (Double acting) With manual override With butt fusion spigots IR-Plus metric

Model:

- Material: PVDF
- Built on with pneumatic actuator PA11 (DN10/15-25), PA21 (DN32-50)
- For easy installation and removal
- Integrated stainless steel mounting inserts
- Control time 90°<) 1-2 s

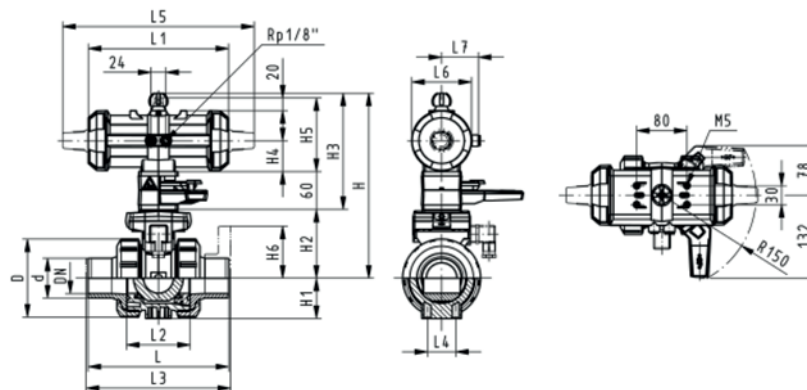
Option:

- Individual configuration of the valve (see diagram)

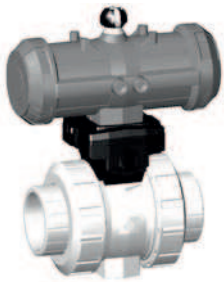
d [mm]	DN [mm]	PN	kv-value ($\Delta p=1$ bar) [l/min]	FPM Code	kg
20	15	10	185	199 232 793	1.200
25	20	10	350	199 232 794	1.300
32	25	10	700	199 232 795	1.400
40	32	10	1000	199 232 796	2.500
50	40	10	1600	199 232 797	2.800
63	50	10	3100	199 232 798	3.700

d [mm]	D [mm]	H [mm]	H1 [mm]	H2 [mm]	H3 [mm]	H4 [mm]	H5 [mm]	L [mm]	L1 [mm]	L2 [mm]	L4 [mm]	L5 [mm]	L6 [mm]	L7 [mm]
20	50	230	27	62	168	40	77	130	194	56	25	261	76	48
25	58	239	30	71	168	40	77	130	194	65	25	261	76	48
32	68	239	36	71	168	40	77	130	194	71	25	261	76	48
40	84	271	44	84	187	51	99	130	224	85	45	305	95	59
50	97	271	51	84	187	51	99	130	224	89	45	305	95	59
63	124	293	64	106	187	51	99	130	224	101	45	305	95	59

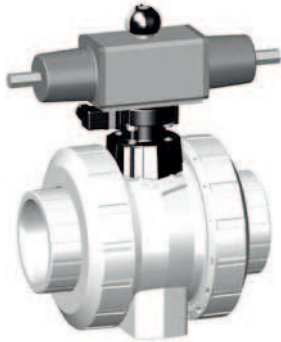
d [mm]	closest inch
20	1/2
25	3/4
32	1
40	1 1/4
50	1 1/2
63	2



PF 3 39 695 035



DN10/15 - 50



SYGEF Standard Ball valve type 232 Function FC (Fail safe to close) Without manual override With fusion sockets metric

Model:

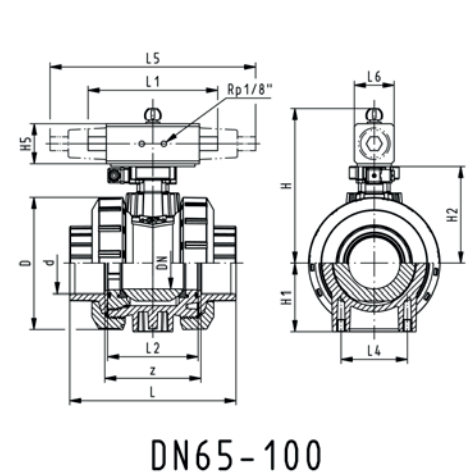
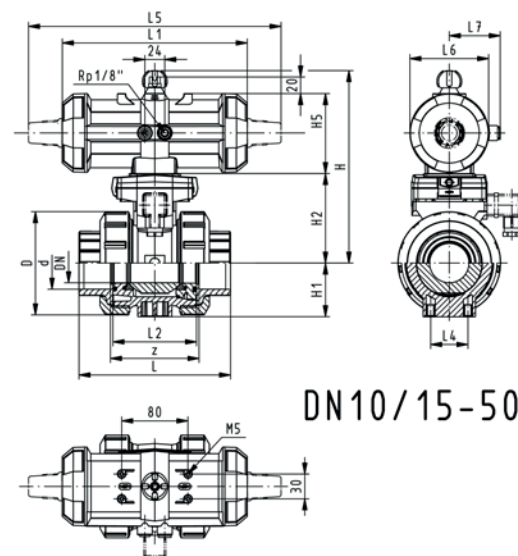
- Material: PVDF
- For easy installation and removal
- Integrated stainless steel mounting inserts
- Control time $90^\circ <$ 1-2 s
- Assignment of actuators: PA11 (DN10/15-25), PA21 (DN32-50), PA30 (DN65), PA40 (DN80), PA40 (DN100)

Option:

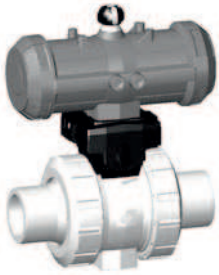
- Individual configuration of the valve (see diagram)

d [mm]	DN [mm]	PN	kv-value ($\Delta p=1$ bar) [l/min]	FPM Code	kg
16	10	10	70	199 232 132	1.200
20	15	10	185	199 232 133	1.079
25	20	10	350	199 232 134	1.300
32	25	10	700	199 232 135	1.322
40	32	10	1000	199 232 136	2.500
50	40	10	1600	199 232 137	3.216
63	50	10	3100	199 232 138	3.473
75	65	10	5000	199 232 139	9.200
90	80	10	7000	199 232 140	12.300
110	100	10	11000	199 232 141	18.900

d [mm]	D [mm]	H [mm]	H1 [mm]	H2 [mm]	H4 [mm]	H5 [mm]	L [mm]	L1 [mm]	L2 [mm]	L4 [mm]	L5 [mm]	L6 [mm]	L7 [mm]	z [mm]
16	50	159	27	62	40	77	92	194	56	25	261	76	48	64
20	50	159	27	62	40	77	95	194	56	25	261	76	48	64
25	58	168	30	71	40	77	110	194	65	25	261	76	48	72
32	68	168	36	71	40	77	123	194	71	25	261	76	48	79
40	84	202	44	84	51	99	146	224	85	45	305	95	59	94
50	97	202	51	84	51	99	157	224	89	45	305	95	59	95
63	124	225	64	106	51	99	183	224	101	45	305	95	59	107
75	166	262	85	156		70	233		136	70	276	65		167
90	200	281	105	168		78	254		141	70	341	72		180
110	238	292	123	175		86	301		164	120	369	80		215



PF 3 39 696 035



DN10/15 - 50



SYGEF Standard Ball valve type 232 Function FC (Fail safe to close) Without manual override With butt fusion spigots IR-Plus metric

Model:

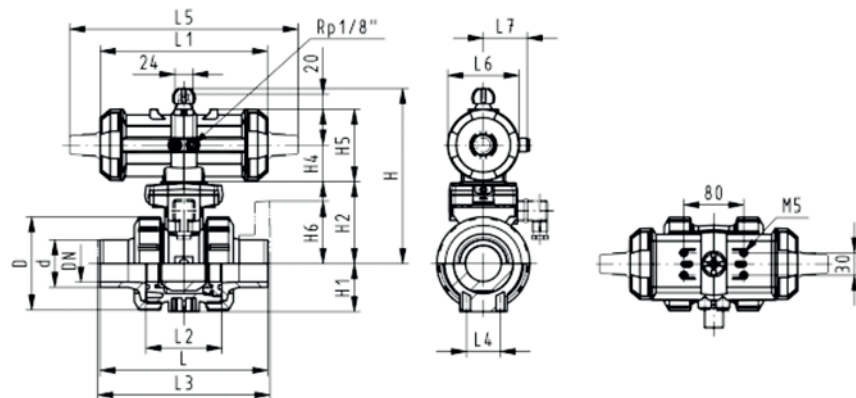
- Material: PVDF
- For easy installation and removal
- Integrated stainless steel mounting inserts
- Control time $90^\circ <$ 1-2 s
- Assignment of actuators: PA11 (DN10/15-25), PA21 (DN32-50), PA30 (DN65), PA40 (DN80), PA40 (DN100)

Option:

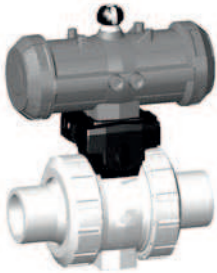
- Individual configuration of the valve (see diagram)

d [mm]	DN [mm]	PN	kv-value ($\Delta p=1$ bar) [l/min]	FPM Code	kg
20	15	10	185	199 232 833	1.083
25	20	10	350	199 232 834	1.191
32	25	10	700	199 232 835	1.330
40	32	10	1000	199 232 836	2.350
50	40	10	1600	199 232 837	2.639
63	50	10	3100	199 232 838	4.219
75	65	10	5000	199 232 839	9.500
90	80	10	7000	199 232 840	12.600
110	100	10	11000	199 232 841	19.100

d [mm]	D [mm]	H [mm]	H1 [mm]	H2 [mm]	H4 [mm]	H5 [mm]	L [mm]	L1 [mm]	L2 [mm]	L4 [mm]	L5 [mm]	L6 [mm]	L7 [mm]	e [mm]
20	50	159	27	62	40	77	130	194	56	25	261	76	48	1.9
25	58	168	30	71	40	77	130	194	65	25	261	76	48	1.9
32	68	168	36	71	40	77	130	194	71	25	261	76	48	2.4
40	84	202	44	84	51	99	130	224	85	45	305	95	59	2.4
50	97	202	51	84	51	99	130	224	89	45	305	95	59	3.0
63	124	225	64	106	51	99	130	224	101	45	305	95	59	3.0
75	166	262	85	156		70	266	270	136	70	276	65		3.6
90	200	281	105	168		78	264	270	141	70	341	72		4.3
110	238	292	123	175		86	301	320	164	120	369	80		5.3



PF 3 39 696 035



DN10/15 - 50

SYGEF Standard Ball valve type 232 Function FC (Fail safe to close) Without manual override With socket fusion spigots metric

Model:

- Material: PVDF
- For easy installation and removal
- Integrated stainless steel mounting inserts
- Control time $90^\circ <$ 1-2 s
- Built on with pneumatic actuator PA11 (DN10/15-25), PA21 (DN32-50)

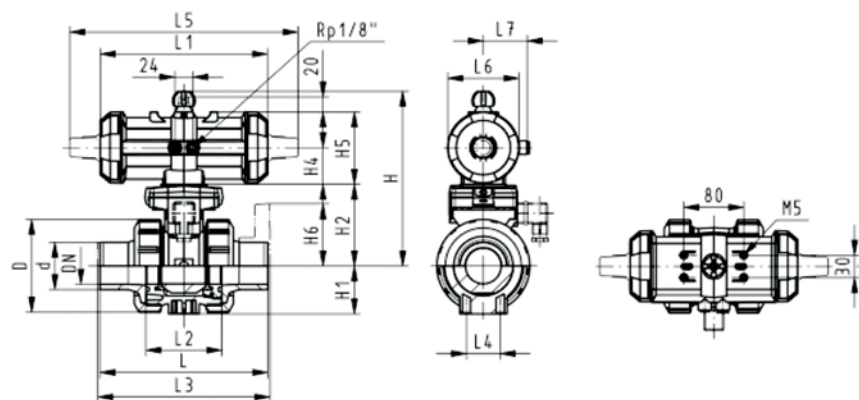
Option:

- Individual configuration of the valve (see diagram)

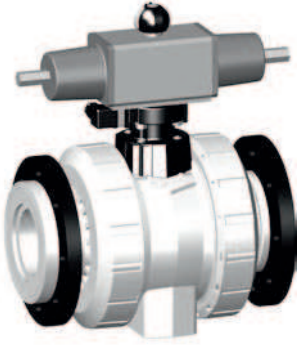
d [mm]	DN [mm]	PN	kv-value ($\Delta p=1$ bar) [l/min]	FPM Code	kg
16	10	10	70	199 232 152	1.200
20	15	10	185	199 232 153	1.084
25	20	10	350	199 232 154	1.300
32	25	10	700	199 232 155	1.343
40	32	10	1000	199 232 156	2.500
50	40	10	1600	199 232 157	2.800
63	50	10	3100	199 232 158	3.700

d [mm]	D [mm]	H [mm]	H1 [mm]	H2 [mm]	H4 [mm]	H5 [mm]	L [mm]	L1 [mm]	L2 [mm]	L3 [mm]	L4 [mm]	L5 [mm]	L6 [mm]	L7 [mm]
16	50	159	27	62	40	77	114	194	56	130	25	261	76	48
20	50	159	27	62	40	77	124	194	56	130	25	261	76	48
25	58	168	30	71	40	77	144	194	65	150	25	261	76	48
32	68	168	36	71	40	77	154	194	71	160	25	261	76	48
40	84	202	44	84	51	99	174	224	85	180	45	305	95	59
50	97	202	51	84	51	99	194	224	89	200	45	305	95	59
63	124	225	64	106	51	99	224	224	101	230	45	305	95	59

d [mm]	closest inch
16	$\frac{3}{8}$
20	$\frac{1}{2}$
25	$\frac{3}{4}$
32	1
40	1 $\frac{1}{4}$
50	1 $\frac{1}{2}$
63	2



PF 3 39 696 035



SYGEF Standard
Ball valve type 232
Function FC (Fail safe to close)
Without manual override
With backing flanges PP-st metric

Model:

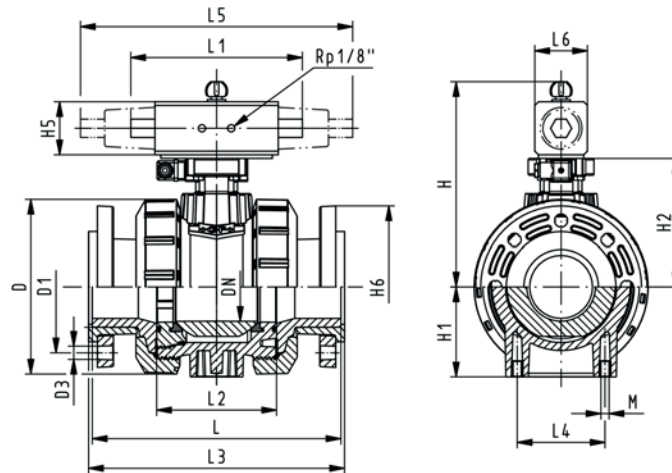
- Material: PVDF
- For easy installation and removal
- Integrated stainless steel mounting inserts
- Control time $90^\circ <$ 1-2 s
- Assignment of actuators: PA11 (DN10/15-25), PA21 (DN32-50), PA30 (DN65), PA40 (DN80), PA40 (DN100)
- Overall length according to EN 558
- Connecting dimension: ISO 7005, EN 1092, BS 4504, DIN 2501

Option:

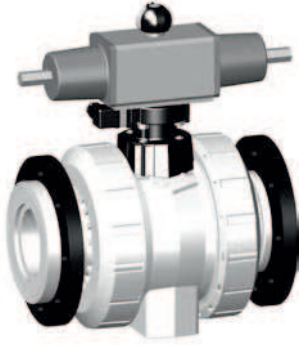
- Individual configuration of the valve (see diagram)

d [mm]	DN [mm]	Inch	PN	kv-value ($\Delta p=1$ bar) [l/min]	FPM Code	kg
75	65	2 ½	10	5000	199 232 929	14.500
90	80	3	10	7000	199 232 930	18.900
110	100	4	10	11000	199 232 931	27.700

d [mm]	D [mm]	H [mm]	H1 [mm]	H2 [mm]	H5 [mm]	H6 [mm]	L [mm]	L2 [mm]	L3 [mm]	L4 [mm]	L5 [mm]	L6 [mm]
75	166	262	85	156	70	93	280	136	290	70	276	65
90	200	281	105	168	78	100	296	141	310	70	341	72
110	238	292	123	175	86	110	336	164	350	120	369	80



PF 3 39 696 035



**SYGEF Standard
Ball valve type 232
Function FC (Fail safe to close)
Without manual override
With backing flanges PP-st ASTM**

Model:

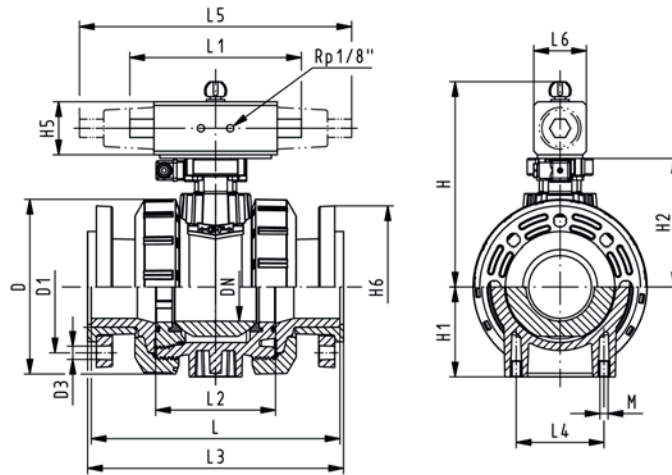
- Material: PVDF
- For easy installation and removal
- Integrated stainless steel mounting inserts
- Control time $90^\circ <$ 1-2 s
- Assignment of actuators: PA11 (DN10/15-25), PA21 (DN32-50), PA30 (DN65), PA40 (DN80), PA40 (DN100)
- Overall length according to EN 558
- Connecting dimension ANSI/ASME B 16.5 / ASTM D 4024

Option:

- Individual configuration of the valve (see diagram)

d [mm]	DN [mm]	Inch	PN	kv-value ($\Delta p=1$ bar) [l/min]	FPM Code	kg
75	65	2 1/2	10	5000	199 232 959	14.500
90	80	3	10	7000	199 232 960	18.900
110	100	4	10	11000	199 232 961	27.700

d [mm]	D [mm]	H [mm]	H1 [mm]	H2 [mm]	H5 [mm]	H6 [mm]	L [mm]	L2 [mm]	L3 [mm]	L4 [mm]	L5 [mm]	L6 [mm]
75	166	262	85	156	70	93	280	136	290	70	276	65
90	200	281	105	168	78	100	296	141	310	70	341	72
110	238	292	123	175	86	115	336	164	350	120	369	80



PF 3 39 696 035



DN10/15 - 50

SYGEF Standard
Ball valve type 232
Function FC (Fail safe to close)
Without manual override
With fixed flanges PVDF serrated metric

Model:

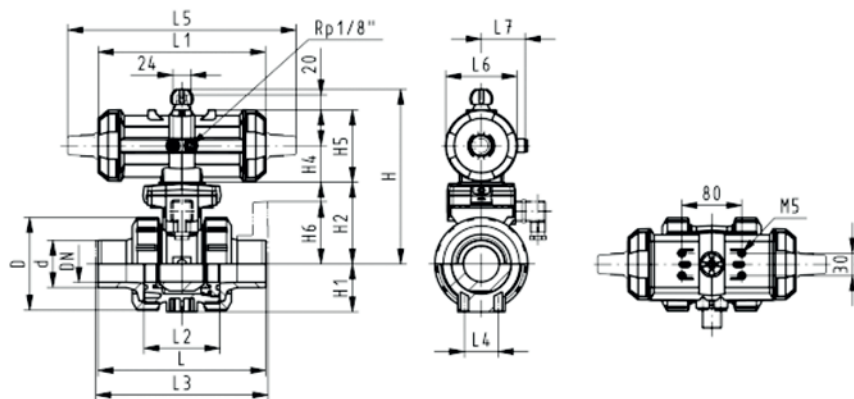
- Material: PVDF
- For easy installation and removal
- Integrated stainless steel mounting inserts
- Control time $90^\circ <$ 1-2 s
- Built on with pneumatic actuator PA11 (DN10/15-25), PA21 (DN32-50)
- Overall length EN 558
- Connecting dimensions: ISO 7005 / EN 1092 / DIN 2501 PN10 / BS4504

Option:

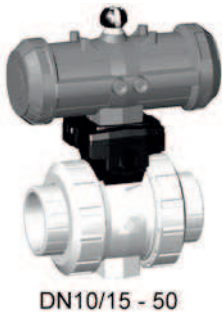
- Individual configuration of the valve (see diagram)

d [mm]	DN [mm]	Inch	PN	kv-value ($\Delta p=1$ bar) [l/min]	FPM Code	kg
20	15	1/2	10	185	199 232 063	1.326
25	20	3/4	10	350	199 232 064	1.600
32	25	1	10	700	199 232 065	1.804
40	32	1 1/4	10	1000	199 232 066	3.100
50	40	1 1/2	10	1600	199 232 067	3.600
63	50	2	10	3100	199 232 068	4.700

d [mm]	D [mm]	H [mm]	H1 [mm]	H2 [mm]	H4 [mm]	H5 [mm]	H6 [mm]	L [mm]	L1 [mm]	L2 [mm]	L3 [mm]	L4 [mm]	L5 [mm]	L6 [mm]	L7 [mm]
20	50	159	27	62	40	77	48	124	194	56	130	25	261	76	48
25	58	168	30	71	40	77	53	144	194	65	150	25	261	76	48
32	68	168	36	71	40	77	58	154	194	71	160	25	261	76	48
40	84	202	44	84	51	99	70	174	224	85	180	45	305	95	59
50	97	202	51	84	51	99	75	194	224	89	200	45	305	95	59
63	124	225	64	106	51	99	83	224	224	101	230	45	305	95	59



PF 3 39 696 035



DN10/15 - 50

SYGEF Standard Ball valve type 232 Function FC (Fail safe to close) Without manual override With threaded sockets NPT

Model:

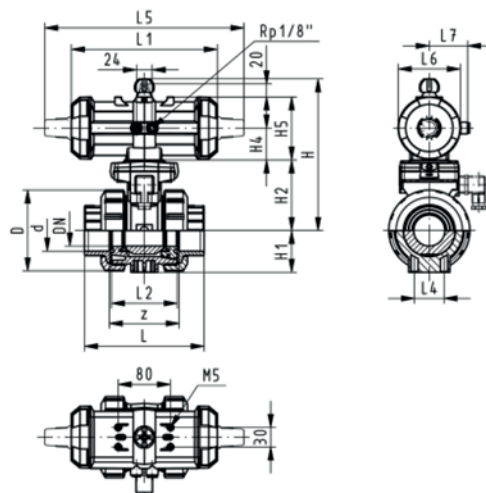
- Material: PVDF
- For easy installation and removal
- Integrated stainless steel mounting inserts
- Control time $90^\circ <$ 1-2 s
- Built on with pneumatic actuator PA11 (DN10/15-25), PA21 (DN32-50)

Option:

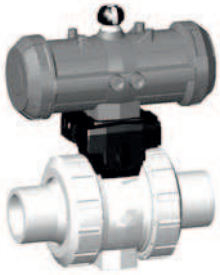
- Individual configuration of the valve (see diagram)

Inch	DN [mm]	PN	kv-value ($\Delta p=1$ bar) [l/min]	FPM Code	kg
$\frac{3}{8}$	10	10	70	199 232 572	1.200
$\frac{1}{2}$	15	10	185	199 232 573	1.975
$\frac{3}{4}$	20	10	350	199 232 574	1.300
1	25	10	700	199 232 575	2.245
1 $\frac{1}{4}$	32	10	1000	199 232 576	2.500
1 $\frac{1}{2}$	40	10	1600	199 232 577	2.800
2	50	10	3100	199 232 578	3.700

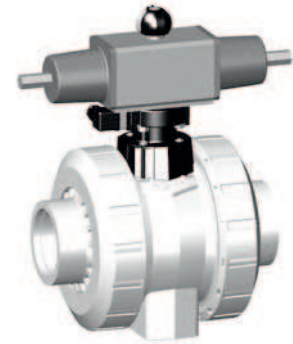
Inch	D [mm]	H [mm]	H1 [mm]	H2 [mm]	H4 [mm]	H5 [mm]	L [mm]	L1 [mm]	L2 [mm]	L4 [mm]	L5 [mm]	L6 [mm]	L7 [mm]	z [mm]
$\frac{3}{8}$	50	159	27	62	40	77	96	194	56	25	261	76	48	69
$\frac{1}{2}$	50	159	27	62	40	77	99	194	56	25	261	76	48	64
$\frac{3}{4}$	58	168	30	71	40	77	111	194	65	25	261	76	48	76
1	68	168	36	71	40	77	127	194	71	25	261	76	48	83
1 $\frac{1}{4}$	84	202	44	84	51	99	146	224	85	45	305	95	59	101
1 $\frac{1}{2}$	97	202	51	84	51	99	157	224	89	45	305	95	59	111
2	124	225	64	106	51	99	183	224	101	45	305	95	59	135



PF 3 39 696 035



DN10/15 - 50



SYGEF Standard
Ball valve type 232
Function FC (Fail safe to close)
Without manual override
With butt fusion spigots IR-Plus metric

Model:

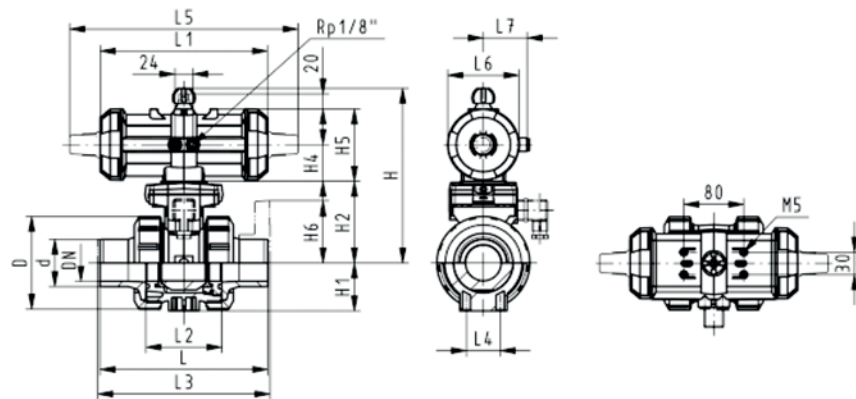
- Material: PVDF
- For easy installation and removal
- Integrated stainless steel mounting inserts
- Control time 90°<) 1-2 s
- Assignment of actuators: PA11 (DN10/15-25), PA21 (DN32-50), PA30 (DN65), PA40 (DN80), PA40 (DN100)

Option:

- Individual configuration of the valve (see diagram)

d [mm]	DN [mm]	PN	kv-value ($\Delta p=1$ bar) [l/min]	FPM Code	kg
20	15	10	185	199 232 833	1.083
25	20	10	350	199 232 834	1.191
32	25	10	700	199 232 835	1.330
40	32	10	1000	199 232 836	2.350
50	40	10	1600	199 232 837	2.639
63	50	10	3100	199 232 838	4.219

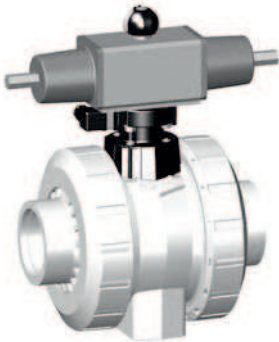
d [mm]	D [mm]	H [mm]	H1 [mm]	H2 [mm]	H4 [mm]	H5 [mm]	L [mm]	L1 [mm]	L2 [mm]	L4 [mm]	L5 [mm]	L6 [mm]	L7 [mm]	e [mm]
20	50	159	27	62	40	77	130	194	56	25	261	76	48	1.9
25	58	168	30	71	40	77	130	194	65	25	261	76	48	1.9
32	68	168	36	71	40	77	130	194	71	25	261	76	48	2.4
40	84	202	44	84	51	99	130	224	85	45	305	95	59	2.4
50	97	202	51	84	51	99	130	224	89	45	305	95	59	3.0
63	124	225	64	106	51	99	130	224	101	45	305	95	59	3.0



PF 3 39 696 035



DN10/15 - 50



SYGEF Standard Ball valve type 232 Function FO (Fail safe to open) Without manual override With butt fusion spigots IR-Plus metric

Model:

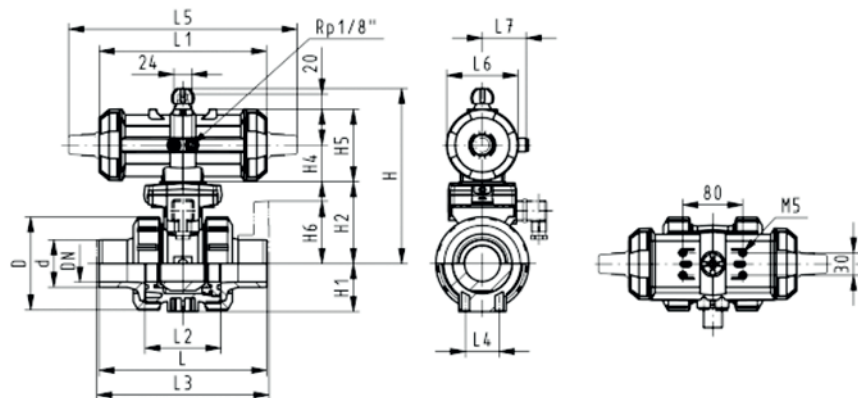
- Material: PVDF
- For easy installation and removal
- Integrated stainless steel mounting inserts
- Control time $90^\circ <$ 1-2 s
- Assignment of actuators: PA11 (DN10/15-25), PA21 (DN32-50), PA30 (DN65), PA40 (DN80), PA40 (DN100)

Option:

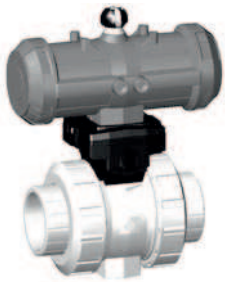
- Individual configuration of the valve (see diagram)

d [mm]	DN [mm]	PN	kv-value ($\Delta p=1$ bar) [l/min]	FPM Code	kg
20	15	10	185	199 232 873	1.200
25	20	10	350	199 232 874	1.198
32	25	10	700	199 232 875	1.335
40	32	10	1000	199 232 876	2.351
50	40	10	1600	199 232 877	2.800
63	50	10	3100	199 232 878	3.568
75	65	10	5000	199 232 879	9.500
90	80	10	7000	199 232 880	12.600
110	100	10	11000	199 232 881	19.100

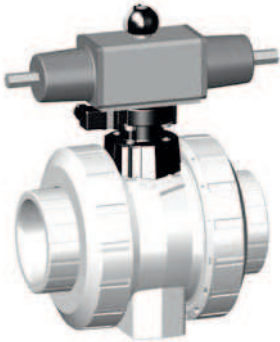
d [mm]	D [mm]	H [mm]	H1 [mm]	H2 [mm]	H4 [mm]	H5 [mm]	L [mm]	L1 [mm]	L2 [mm]	L4 [mm]	L5 [mm]	L6 [mm]	L7 [mm]	e [mm]
20	50	159	27	62	40	77	130	194	56	25	261	76	48	1.9
25	58	168	30	71	40	77	130	194	65	25	261	76	48	1.9
32	68	168	36	71	40	77	130	194	71	25	261	76	48	2.4
40	84	202	44	84	51	99	130	224	85	45	305	95	59	2.4
50	97	202	51	84	51	99	130	224	89	45	305	95	59	3.0
63	124	225	64	106	51	99	130	224	101	45	305	95	59	3.0
75	166	262	85	156		70	266	218	136	70	276	65		3.6
90	200	281	105	168		70	264	259	141	70	341	72		4.3
110	238	292	123	175		70	301	287	164	120	369	80		5.3



PF 3 39 696 035



DN10/15 - 50



SYGEF Standard Ball valve type 232 Function FO (Fail safe to open) Without manual override With fusion sockets metric

Model:

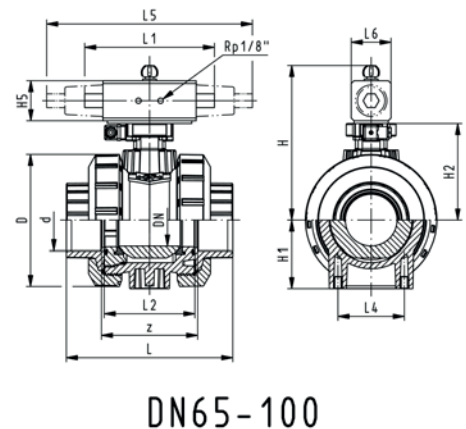
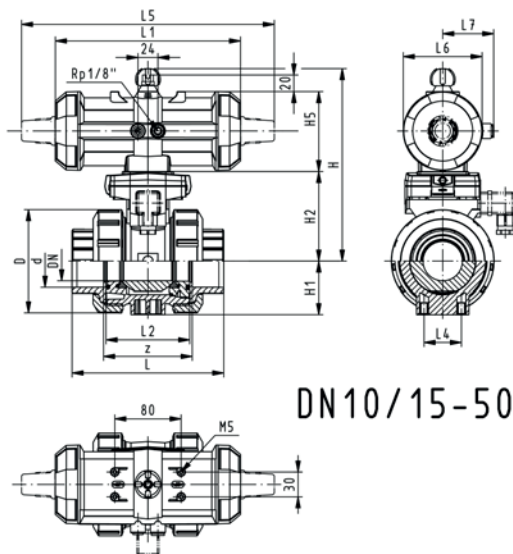
- Material: PVDF
- For easy installation and removal
- Integrated stainless steel mounting inserts
- Control time $90^\circ <$ 1-2 s
- Assignment of actuators: PA11 (DN10/15-25), PA21 (DN32-50), PA30 (DN65), PA40 (DN80), PA40 (DN100)

Option:

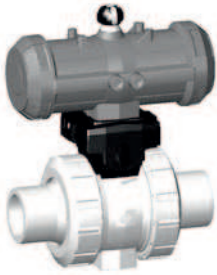
- Individual configuration of the valve (see diagram)

d [mm]	DN [mm]	PN	kv-value ($\Delta p=1$ bar) [l/min]	FPM Code	kg
16	10	10	70	199 232 172	1.200
20	15	10	185	199 232 173	1.200
25	20	10	350	199 232 174	1.300
32	25	10	700	199 232 175	1.400
40	32	10	1000	199 232 176	2.500
50	40	10	1600	199 232 177	2.800
63	50	10	3100	199 232 178	3.700
75	65	10	5000	199 232 179	9.200
90	80	10	7000	199 232 180	12.300
110	100	10	11000	199 232 181	18.900

d [mm]	D [mm]	H [mm]	H1 [mm]	H2 [mm]	H4 [mm]	H5 [mm]	L [mm]	L1 [mm]	L2 [mm]	L4 [mm]	L5 [mm]	L6 [mm]	L7 [mm]	z [mm]
16	50	159	27	62	40	77	92	194	56	25	261	76	48	64
20	50	159	27	62	40	77	95	194	56	25	261	76	48	64
25	58	168	30	71	40	77	110	194	65	25	261	76	48	72
32	68	168	36	71	40	77	123	194	71	25	261	76	48	79
40	84	202	44	84	51	99	146	224	85	45	305	95	59	94
50	97	202	51	84	51	99	157	224	89	45	305	95	59	95
63	124	225	64	106	51	99	183	224	101	45	305	95	59	107
75	166	262	85	156		70	233		136	70	276	65		167
90	200	281	105	168		78	254		141	70	341	72		180
110	238	292	123	175		86	301		164	120	369	80		215



PF 3 39 696 035



DN10/15 - 50

**SYGEF Standard
Ball valve type 232
Function FO (Fail safe to open)
Without manual override
With socket fusion spigots metric**

Model:

- Material: PVDF
- For easy installation and removal
- Integrated stainless steel mounting inserts
- Control time 90° < 1-2 s
- Built on with pneumatic actuator PA11 (DN10/15-25), PA21 (DN32-50)

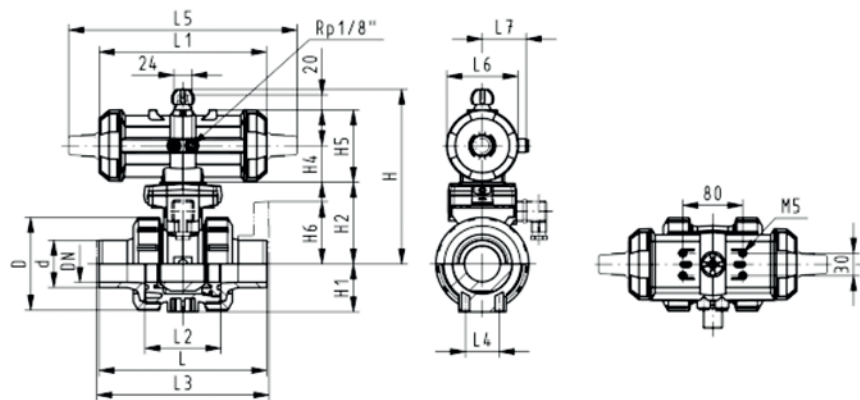
Option:

- Individual configuration of the valve (see diagram)

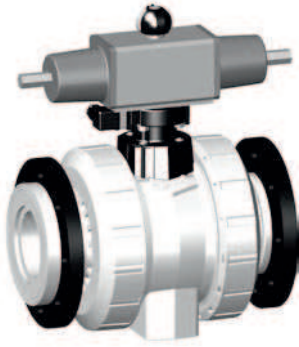
d [mm]	DN [mm]	PN	kv-value ($\Delta p=1$ bar) [l/min]	FPM Code	kg
16	10	10	70	199 232 192	1.200
20	15	10	185	199 232 193	1.200
25	20	10	350	199 232 194	1.300
32	25	10	700	199 232 195	1.400
40	32	10	1000	199 232 196	2.500
50	40	10	1600	199 232 197	2.800
63	50	10	3100	199 232 198	3.603

d [mm]	D [mm]	H [mm]	H1 [mm]	H2 [mm]	H4 [mm]	H5 [mm]	L [mm]	L1 [mm]	L2 [mm]	L3 [mm]	L4 [mm]	L5 [mm]	L6 [mm]	L7 [mm]
16	50	159	27	62	40	77	114	194	56	130	25	261	76	48
20	50	159	27	62	40	77	124	194	56	130	25	261	76	48
25	58	168	30	71	40	77	144	194	65	150	25	261	76	48
32	68	168	36	71	40	77	154	194	71	160	25	261	76	48
40	84	202	44	84	51	99	174	224	85	180	45	305	95	59
50	97	202	51	84	51	99	194	224	89	200	45	305	95	59
63	124	225	64	106	51	99	224	224	101	230	45	305	95	59

d [mm]	closest inch
16	3/8
20	1/2
25	3/4
32	1
40	1 1/4
50	1 1/2
63	2



PF 3 39 696 035



SYGEF Standard
Ball valve type 232
Function FO (Fail safe to open)
Without manual override
With backing flanges PP-st metric

Model:

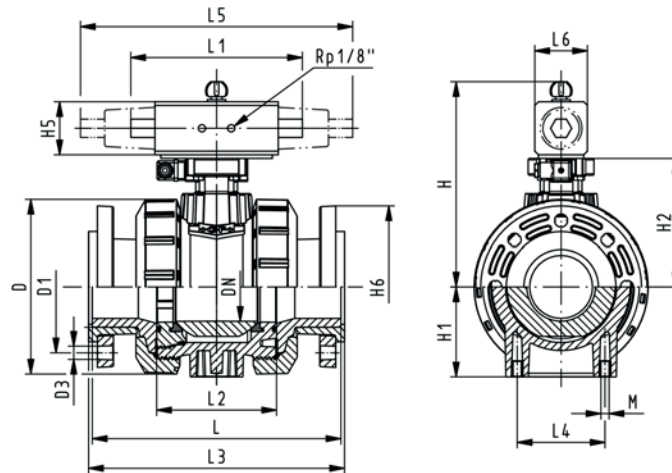
- Material: PVDF
- For easy installation and removal
- Integrated stainless steel mounting inserts
- Control time $90^\circ <$ 1-2 s
- Assignment of actuators: PA11 (DN10/15-25), PA21 (DN32-50), PA30 (DN65), PA40 (DN80), PA40 (DN100)
- Overall length according to EN 558
- Connecting dimension: ISO 7005, EN 1092, BS 4504, DIN 2501

Option:

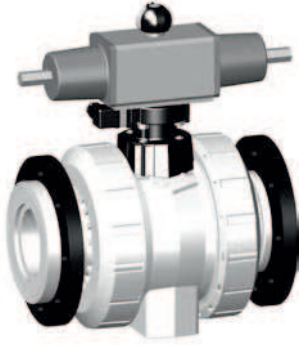
- Individual configuration of the valve (see diagram)

d [mm]	DN [mm]	Inch	PN	kv-value ($\Delta p=1$ bar) [l/min]	FPM Code	kg
75	65	2 ½	10	5000	199 232 939	14.500
90	80	3	10	7000	199 232 940	18.900
110	100	4	10	11000	199 232 941	27.700

d [mm]	D [mm]	H [mm]	H1 [mm]	H2 [mm]	H5 [mm]	H6 [mm]	L [mm]	L2 [mm]	L3 [mm]	L4 [mm]	L5 [mm]	L6 [mm]
75	166	262	85	156	70	93	280	136	290	70	276	65
90	200	281	105	168	78	100	296	141	310	70	341	72
110	238	292	123	175	86	110	336	164	350	120	369	80



PF 3 39 696 035



**SYGEF Standard
Ball valve type 232
Function FO (Fail safe to open)
Without manual override
With backing flanges PP-st Inch ANSI**

Model:

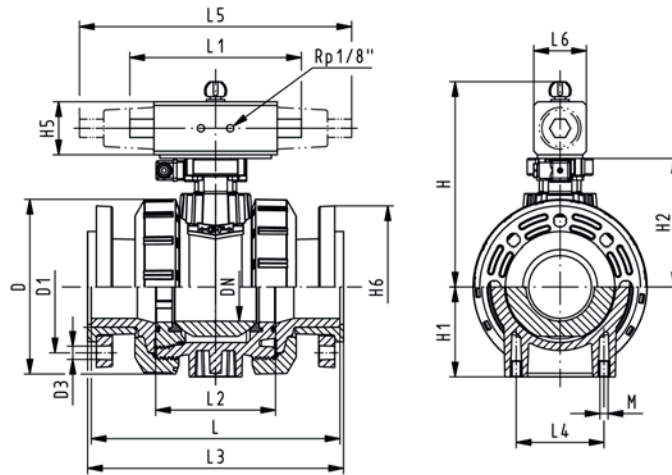
- Material: PVDF
- For easy installation and removal
- Integrated stainless steel mounting inserts
- Control time $90^\circ <$ 1-2 s
- Assignment of actuators: PA11 (DN10/15-25), PA21 (DN32-50), PA30 (DN65), PA40 (DN80), PA40 (DN100)
- Overall length according to EN 558
- Connecting dimension ANSI/ASME B 16.5 / ASTM D 4024

Option:

- Individual configuration of the valve (see diagram)

d [mm]	DN [mm]	Inch	PN	kv-value ($\Delta p=1$ bar) [l/min]	FPM Code	kg
75	65	2 1/2	10	5000	199 232 969	14.500
90	80	3	10	7000	199 232 970	18.900
110	100	4	10	11000	199 232 971	27.700

d [mm]	D [mm]	H [mm]	H1 [mm]	H2 [mm]	H5 [mm]	H6 [mm]	L [mm]	L2 [mm]	L3 [mm]	L4 [mm]	L5 [mm]	L6 [mm]
75	166	262	85	156	70	93	280	136	290	70	276	65
90	200	281	105	168	78	100	296	141	310	70	341	72
110	238	292	123	175	86	115	336	164	350	120	369	80



PF 3 39 696 035



DN10/15 - 50

SYGEF Standard
Ball valve type 232
Function FO (Fail safe to open)
Without manual override
With fixed flanges PVDF serrated metric

Model:

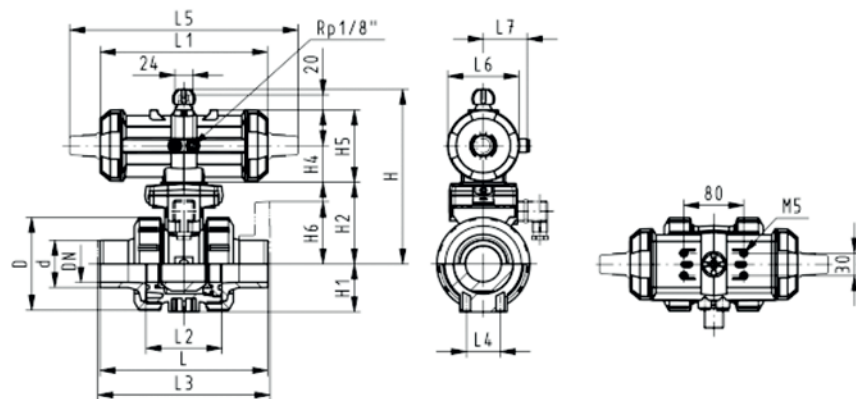
- Material: PVDF
- For easy installation and removal
- Integrated stainless steel mounting inserts
- Control time 90°< 1-2 s
- Built on with pneumatic actuator PA11 (DN10/15-25), PA21 (DN32-50)
- Overall length EN 558
- Connecting dimensions: ISO 7005 / EN 1092 / DIN 2501 PN10 / BS4504

Option:

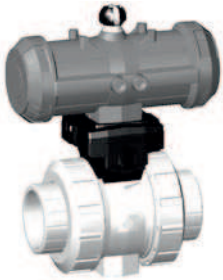
- Individual configuration of the valve (see diagram)

d [mm]	DN [mm]	Inch	PN	kv-value ($\Delta p=1$ bar) [l/min]	FPM Code	kg
20	15	1/2	10	185	199 232 083	1.400
25	20	3/4	10	350	199 232 084	1.600
32	25	1	10	700	199 232 085	1.800
40	32	1 1/4	10	1000	199 232 086	3.100
50	40	1 1/2	10	1600	199 232 087	3.600
63	50	2	10	3100	199 232 088	4.697

d [mm]	D [mm]	H [mm]	H1 [mm]	H2 [mm]	H4 [mm]	H5 [mm]	H6 [mm]	L [mm]	L1 [mm]	L2 [mm]	L3 [mm]	L4 [mm]	L5 [mm]	L6 [mm]	L7 [mm]
20	50	159	27	62	40	77	48	124	194	56	130	25	261	76	48
25	58	168	30	71	40	77	53	144	194	65	150	25	261	76	48
32	68	168	36	71	40	77	58	154	194	71	160	25	261	76	48
40	84	202	44	84	51	99	70	174	224	85	180	45	305	95	59
50	97	202	51	84	51	99	75	194	224	89	200	45	305	95	59
63	124	225	64	106	51	99	83	224	224	101	230	45	305	95	59



PF 3 39 696 035



DN10/15 - 50

SYGEF Standard Ball valve type 232 Function FO (Fail safe to open) Without manual override With threaded sockets NPT

Model:

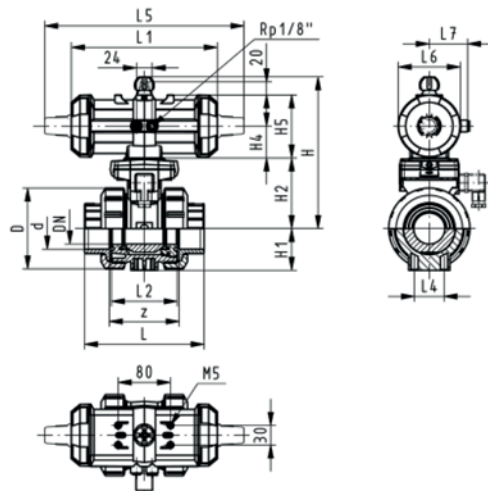
- Material: PVDF
- For easy installation and removal
- Integrated stainless steel mounting inserts
- Control time 90° < 1-2 s
- Built on with pneumatic actuator PA11 (DN10/15-25), PA21 (DN32-50)

Option:

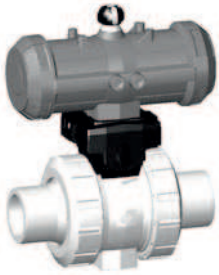
- Individual configuration of the valve (see diagram)

Inch	DN [mm]	PN	kv-value ($\Delta p=1$ bar) [l/min]	FPM Code	kg
3/8	10	10	70	199 232 592	1.200
1/2	15	10	185	199 232 593	1.200
3/4	20	10	350	199 232 594	1.300
1	25	10	700	199 232 595	1.400
1 1/4	32	10	1000	199 232 596	2.500
1 1/2	40	10	1600	199 232 597	2.800
2	50	10	3100	199 232 598	3.700

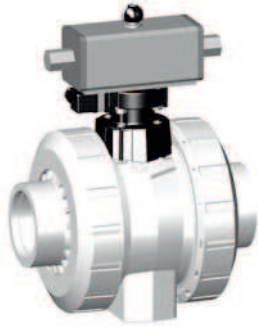
Inch	D [mm]	H [mm]	H1 [mm]	H2 [mm]	H4 [mm]	H5 [mm]	L [mm]	L1 [mm]	L2 [mm]	L4 [mm]	L5 [mm]	L6 [mm]	L7 [mm]	z [mm]
3/8	50	159	27	62	40	77	96	194	56	25	261	76	48	69
1/2	50	159	27	62	40	77	99	194	56	25	261	76	48	64
3/4	58	168	30	71	40	77	111	194	65	25	261	76	48	76
1	68	168	36	71	40	77	127	194	71	25	261	76	48	83
1 1/4	84	202	44	84	51	99	146	224	85	45	305	95	59	101
1 1/2	97	202	51	84	51	99	157	224	89	45	305	95	59	111
2	124	225	64	106	51	99	183	224	101	45	305	95	59	135



PF 3 39 696 035



DN10/15 - 50



SYGEF Standard Ball valve type 232 Function DA (Double acting) Without manual override With butt fusion spigots IR-Plus metric

Model:

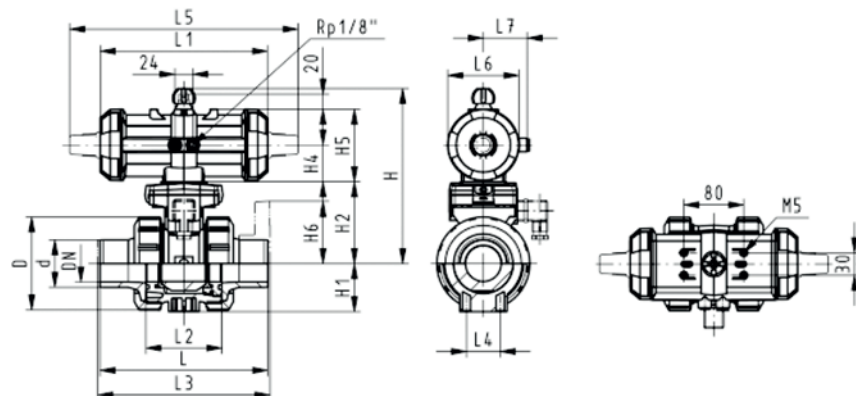
- Material: PVDF
- For easy installation and removal
- Integrated stainless steel mounting inserts
- Control time $90^\circ <$ 1-2 s
- Assignment of actuators: PA11 (DN10/15-25), PA21 (DN32-50), PA35 (DN65), PA40 (DN80), PA45 (DN100)

Option:

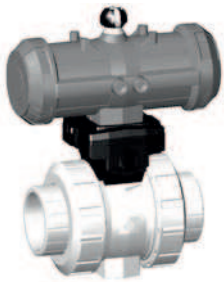
- Individual configuration of the valve (see diagram)

d [mm]	DN [mm]	PN	kv-value ($\Delta p=1$ bar) [l/min]	FPM Code	kg
20	15	10	185	199 232 913	1.200
25	20	10	350	199 232 914	1.300
32	25	10	700	199 232 915	1.400
40	32	10	1000	199 232 916	2.500
50	40	10	1600	199 232 917	2.800
63	50	10	3100	199 232 918	3.700
75	65	10	5000	199 232 919	8.300
90	80	10	7000	199 232 920	11.900
110	100	10	11000	199 232 921	17.300

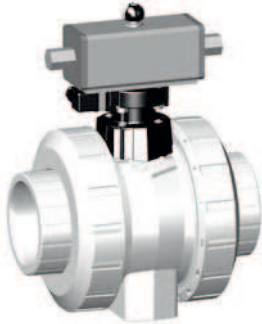
d [mm]	D [mm]	H [mm]	H1 [mm]	H2 [mm]	H4 [mm]	H5 [mm]	L [mm]	L1 [mm]	L2 [mm]	L4 [mm]	L5 [mm]	L6 [mm]	L7 [mm]	e [mm]
20	50	159	27	62	40	77	130	194	56	25	261	76	48	1.9
25	58	168	30	71	40	77	130	194	65	25	261	76	48	1.9
32	68	168	36	71	40	77	130	194	71	25	261	76	48	2.4
40	84	202	44	84	51	99	130	224	85	45	305	95	59	2.4
50	97	202	51	84	51	99	130	224	89	45	305	95	59	3.0
63	124	225	64	106	51	99	130	224	101	45	305	95	59	3.0
75	166	257	85	156		66	266	144	136	70		60		3.6
90	200	274	105	168		70	264	152	141	70		65		4.3
110	238	273	123	175		78	301	169	164	120		72		5.3



PF 3 39 696 035



DN10/15 - 50



SYGEF Standard Ball valve type 232 Function DA (Double acting) Without manual override With fusion sockets metric

Model:

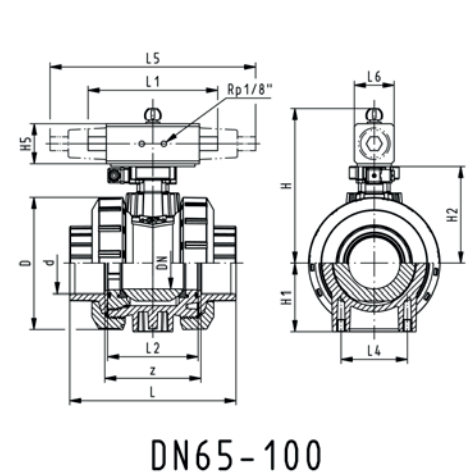
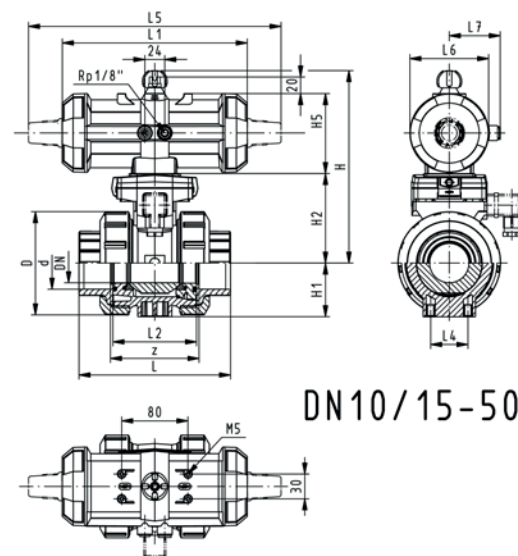
- Material: PVDF
- For easy installation and removal
- Integrated stainless steel mounting inserts
- Control time $90^\circ <$ 1-2 s
- Assignment of actuators: PA11 (DN10/15-25), PA21 (DN32-50), PA35 (DN65), PA40 (DN80), PA45 (DN100)

Option:

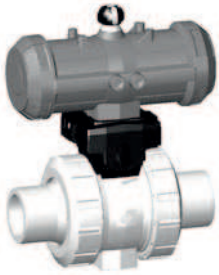
- Individual configuration of the valve (see diagram)

d [mm]	DN [mm]	PN	kv-value ($\Delta p=1$ bar) [l/min]	FPM Code	kg
16	10	10	70	199 232 212	1.200
20	15	10	185	199 232 213	1.200
25	20	10	350	199 232 214	1.300
32	25	10	700	199 232 215	1.096
40	32	10	1000	199 232 216	1.845
50	40	10	1600	199 232 217	2.800
63	50	10	3100	199 232 218	3.700
75	65	10	5000	199 232 219	8.000
90	80	10	7000	199 232 220	11.600
110	100	10	11000	199 232 221	17.100

d [mm]	D [mm]	H [mm]	H1 [mm]	H2 [mm]	H4 [mm]	H5 [mm]	L [mm]	L1 [mm]	L2 [mm]	L4 [mm]	L5 [mm]	L6 [mm]	L7 [mm]	z [mm]
16	50	159	27	62	40	77	92	194	56	25	261	76	48	64
20	50	159	27	62	40	77	95	194	56	25	261	76	48	64
25	58	168	30	71	40	77	110	194	65	25	261	76	48	72
32	68	168	36	71	40	77	123	194	71	25	261	76	48	79
40	84	202	44	84	51	99	146	224	85	45	305	95	59	94
50	97	202	51	84	51	99	157	224	89	45	305	95	59	95
63	124	225	64	106	51	99	183	224	101	45	305	95	59	107
75	166	257	85	156		66	233	144	136	70		60		167
90	200	274	105	168		70	254	152	141	70		65		180
110	238	273	123	175		78	301	169	164	120		72		215



PF 3 39 696 035



DN10/15 - 50

SYGEF Standard Ball valve type 232 Function DA (Double acting) Without manual override With socket fusion spigots metric

Model:

- Material: PVDF
- For easy installation and removal
- Integrated stainless steel mounting inserts
- Control time $90^\circ <$ 1-2 s
- Built on with pneumatic actuator PA11 (DN10/15-25), PA21 (DN32-50)

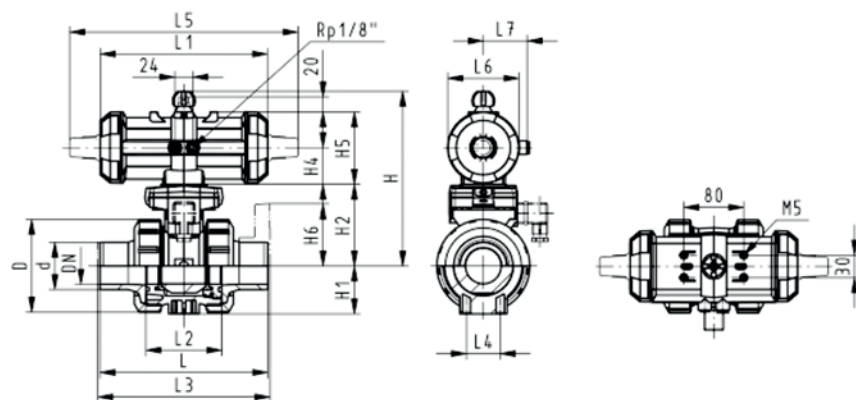
Option:

- Individual configuration of the valve (see diagram)

d [mm]	DN [mm]	PN	kv-value ($\Delta p=1$ bar) [l/min]	FPM Code	kg
16	10	10	70	199 232 232	1.200
20	15	10	185	199 232 233	1.200
25	20	10	350	199 232 234	1.300
32	25	10	700	199 232 235	1.400
40	32	10	1000	199 232 236	2.500
50	40	10	1600	199 232 237	2.800
63	50	10	3100	199 232 238	3.700

d [mm]	D [mm]	H [mm]	H1 [mm]	H2 [mm]	H4 [mm]	H5 [mm]	L [mm]	L1 [mm]	L2 [mm]	L3 [mm]	L4 [mm]	L5 [mm]	L6 [mm]	L7 [mm]
16	50	159	27	62	40	77	114	194	56	130	25	261	76	48
20	50	159	27	62	40	77	124	194	56	130	25	261	76	48
25	58	168	30	71	40	77	144	194	65	150	25	261	76	48
32	68	168	36	71	40	77	154	194	71	160	25	261	76	48
40	84	202	44	84	51	99	174	224	85	180	45	305	95	59
50	97	202	51	84	51	99	194	224	89	200	45	305	95	59
63	124	225	64	106	51	99	224	224	101	230	45	305	95	59

d [mm]	closest inch
16	$\frac{3}{8}$
20	$\frac{1}{2}$
25	$\frac{3}{4}$
32	1
40	$1 \frac{1}{4}$
50	$1 \frac{1}{2}$
63	2



PF 3 39 696 035



**SYGEF Standard
Ball valve type 232
Function DA (Double acting)
Without manual override
With backing flanges PP-st Inch ANSI**

Model:

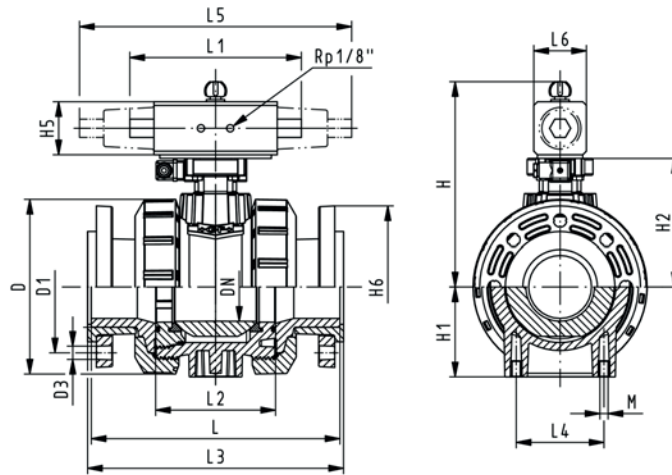
- Material: PVDF
- For easy installation and removal
- Integrated stainless steel mounting inserts
- Control time $90^\circ <$ 1-2 s
- Assignment of actuators: PA11 (DN10/15-25), PA21 (DN32-50), PA35 (DN65), PA40 (DN80), PA45 (DN100)
- Overall length according to EN 558
- Connecting dimension ANSI/ASME B 16.5 / ASTM D 4024

Option:

- Individual configuration of the valve (see diagram)

d [mm]	DN [mm]	Inch	PN	kv-value ($\Delta p=1$ bar) [l/min]	FPM Code	kg
75	65	2 1/2	10	5000	199 232 979	13.400
90	80	3	10	7000	199 232 980	18.200
110	100	4	10	11000	199 232 981	26.000

d [mm]	D [mm]	H [mm]	H1 [mm]	H2 [mm]	H5 [mm]	H6 [mm]	L [mm]	L1 [mm]	L2 [mm]	L3 [mm]	L4 [mm]	L6 [mm]
75	166	257	85	156	66	93	280	144	136	290	70	60
90	200	274	105	168	70	100	296	152	141	310	70	65
110	238	273	123	175	78	115	336	169	164	350	120	72



PF 3 39 696 035



SYGEF Standard
Ball valve type 232
Function DA (Double acting)
Without manual override
With backing flanges PP-st metric

Model:

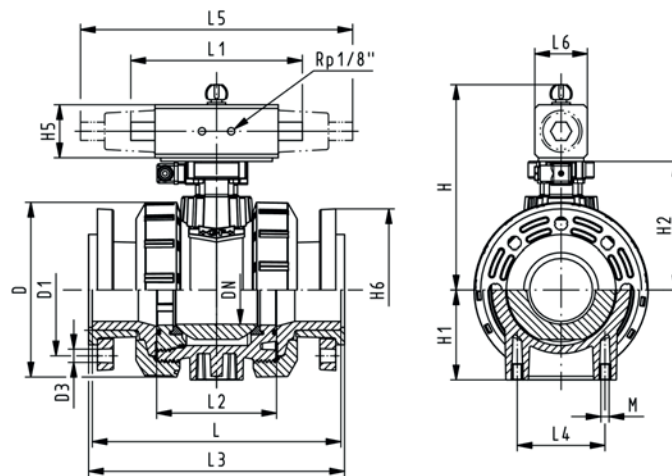
- Material: PVDF
- For easy installation and removal
- Integrated stainless steel mounting inserts
- Control time $90^\circ <$ 1-2 s
- Assignment of actuators: PA11 (DN10/15-25), PA21 (DN32-50), PA35 (DN65), PA40 (DN80), PA45 (DN100)
- Overall length according to EN 558
- Connecting dimension: ISO 7005, EN 1092, BS 4504, DIN 2501

Option:

- Individual configuration of the valve (see diagram)

d [mm]	DN [mm]	Inch	PN	kv-value ($\Delta p=1$ bar) [l/min]	FPM Code	kg
75	65	2 ½	10	5000	199 232 949	13.400
90	80	3	10	7000	199 232 950	18.200
110	100	4	10	11000	199 232 951	26.000

d [mm]	D [mm]	H [mm]	H1 [mm]	H2 [mm]	H5 [mm]	H6 [mm]	L [mm]	L1 [mm]	L2 [mm]	L3 [mm]	L4 [mm]	L6 [mm]
75	166	257	85	156	66	93	280	144	136	290	70	60
90	200	274	105	168	70	100	296	152	141	310	70	65
110	238	273	123	175	78	110	336	169	164	350	120	72



PF 3 39 696 035



DN10/15 - 50

**SYGEF Standard
Ball valve type 232
Function DA (Double acting)
Without manual override
With fixed flanges PVDF serrated metric**

Model:

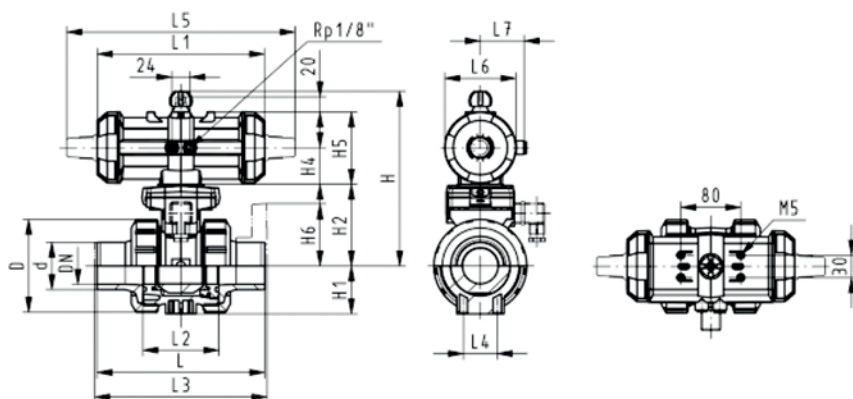
- Material: PVDF
- For easy installation and removal
- Integrated stainless steel mounting inserts
- Control time 90° < 1-2 s
- Built on with pneumatic actuator PA11 (DN10/15-25), PA21 (DN32-50)
- Overall length EN 558
- Connecting dimensions: ISO 7005 / EN 1092 / DIN 2501 PN10 / BS4504

Option:

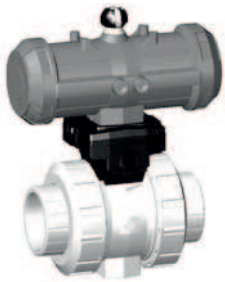
- Individual configuration of the valve (see diagram)

d [mm]	DN [mm]	Inch	PN	kv-value ($\Delta p=1$ bar) [l/min]	FPM Code	kg
20	15	1/2	10	185	199 232 103	1.400
25	20	3/4	10	350	199 232 104	1.600
32	25	1	10	700	199 232 105	1.800
40	32	1 1/4	10	1000	199 232 106	3.100
50	40	1 1/2	10	1600	199 232 107	3.600
63	50	2	10	3100	199 232 108	4.700

d [mm]	D [mm]	H [mm]	H1 [mm]	H2 [mm]	H4 [mm]	H5 [mm]	H6 [mm]	L [mm]	L1 [mm]	L2 [mm]	L3 [mm]	L4 [mm]	L5 [mm]	L6 [mm]	L7 [mm]
20	50	159	27	62	40	77	48	124	194	56	130	25	261	76	48
25	58	168	30	71	40	77	53	144	194	65	150	25	261	76	48
32	68	168	36	71	40	77	58	154	194	71	160	25	261	76	48
40	84	202	44	84	51	99	70	174	224	85	180	45	305	95	59
50	97	202	51	84	51	99	75	194	224	89	200	45	305	95	59
63	124	225	64	106	51	99	83	224	224	101	230	45	305	95	59



PF 3 39 696 035



DN10/15 - 50

SYGEF Standard Ball valve type 232 Function DA (Double acting) Without manual override With threaded sockets NPT

Model:

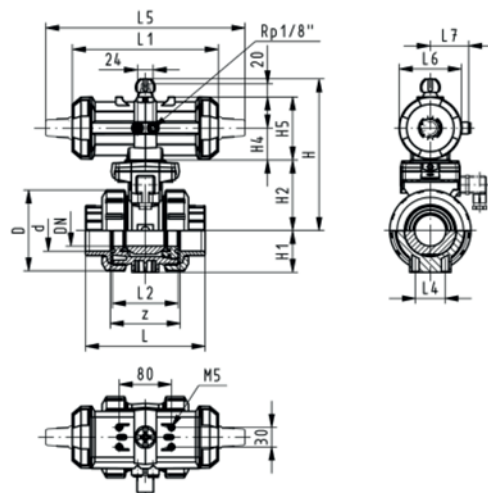
- Material: PVDF
- For easy installation and removal
- Integrated stainless steel mounting inserts
- Control time $90^\circ <$ 1-2 s
- Built on with pneumatic actuator PA11 (DN10/15-25), PA21 (DN32-50)

Option:

- Individual configuration of the valve (see diagram)

Inch	DN [mm]	PN	kv-value ($\Delta p=1$ bar) [l/min]	FPM Code	kg
3/8	10	10	70	199 232 612	1.500
1/2	15	10	185	199 232 613	1.500
3/4	20	10	350	199 232 614	1.600
1	25	10	700	199 232 615	1.700
1 1/4	32	10	1000	199 232 616	2.800
1 1/2	40	10	1600	199 232 617	3.100
2	50	10	3100	199 232 618	4.000

Inch	D [mm]	H [mm]	H1 [mm]	H2 [mm]	H4 [mm]	H5 [mm]	L [mm]	L1 [mm]	L2 [mm]	L4 [mm]	L5 [mm]	L6 [mm]	L7 [mm]	z [mm]
3/8	50	159	27	62	40	77	96	194	56	25	261	76	48	69
1/2	50	159	27	62	40	77	99	194	56	25	261	76	48	64
3/4	58	168	30	71	40	77	111	194	65	25	261	76	48	76
1	68	168	36	71	40	77	127	194	71	25	261	76	48	83
1 1/4	84	202	44	84	51	99	146	224	85	45	305	95	59	101
1 1/2	97	202	51	84	51	99	157	224	89	45	305	95	59	111
2	124	225	64	106	51	99	183	224	101	45	305	95	59	135



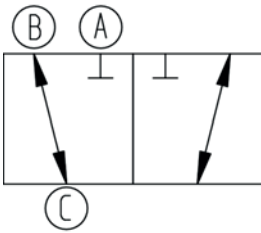
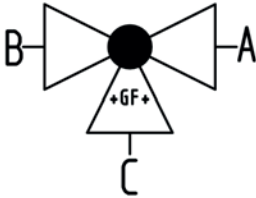
PF 3 39 696 035



SYGEF Standard 3-Way ball valve type 287 Horizontal/L-port Without manual override With fusion sockets metric

Model:

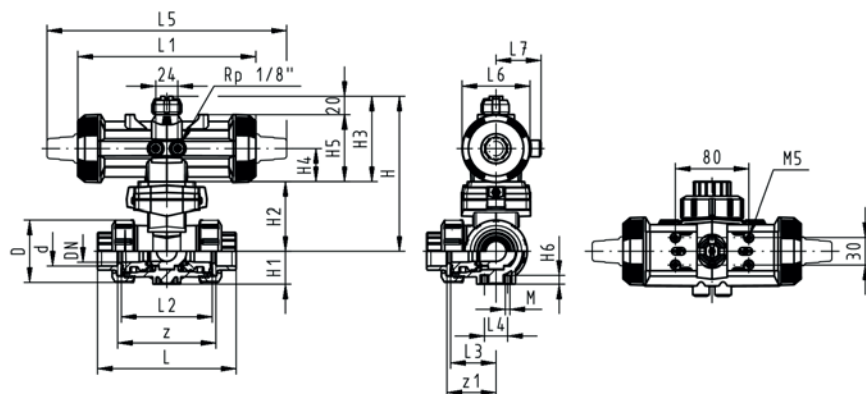
- Material: PVDF
- Built on with pneumatic actuator PA11 (DN10/15-25), PA21 (DN32-50)
- Actuator fails safe to the closed position FC
- Basic position B-C opened, activated position A-C opened, see flow scheme
- Control time $90^\circ <$) 1-3 s
- For easy installation and removal
- Integrated stainless steel mounting inserts



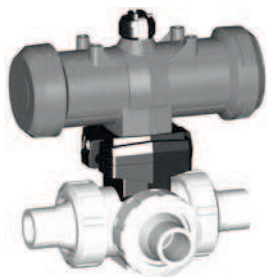
d [mm]	DN [mm]	PN	kv-value ($\Delta p=1$ bar) [l/min]	FPM Code	kg
16	10	10	50	199 287 092	1.183
20	15	10	75	199 287 093	1.191
25	20	10	150	199 287 094	1.349
32	25	10	280	199 287 095	1.593
40	32	10	480	199 287 096	2.800
50	40	10	620	199 287 097	3.379
63	50	10	1230	199 287 098	5.109

d [mm]	D [mm]	H [mm]	H1 [mm]	H2 [mm]	H3 [mm]	H4 [mm]	H5 [mm]	H6 [mm]	L [mm]	L1 [mm]	L2 [mm]	L3 [mm]	L4 [mm]	L5 [mm]	L6 [mm]
16	50	159	28	62	97	40	77	8	110	194	72	36	25	261	76
20	50	159	28	62	97	40	77	8	112	194	72	36	25	261	76
25	58	168	32	71	97	40	77	8	129	194	85	43	25	261	76
32	68	168	36	71	97	40	77	8	146	194	98	49	25	261	76
40	84	203	45	84	119	51	99	9	170	224	118	59	45	305	95
50	97	203	51	84	119	51	99	9	193	224	135	68	45	305	95
63	124	225	65	106	119	51	99	9	244	224	176	88	45	305	95

d [mm]	L7 [mm]	M	z [mm]	z1 [mm]	closest inch
16	48	6	82	41	$\frac{3}{8}$
20	48	6	82	41	$\frac{1}{2}$
25	48	6	97	49	$\frac{3}{4}$
32	48	6	110	55	1
40	59	8	132	66	$1 \frac{1}{4}$
50	59	8	151	76	$1 \frac{1}{2}$
63	59	8	188	94	2



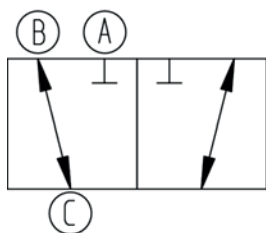
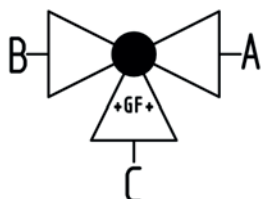
PF 3 39 981 035



SYGEF Standard 3-Way ball valve type 287 Horizontal/L-port Without manual override With socket fusion spigots metric

Model:

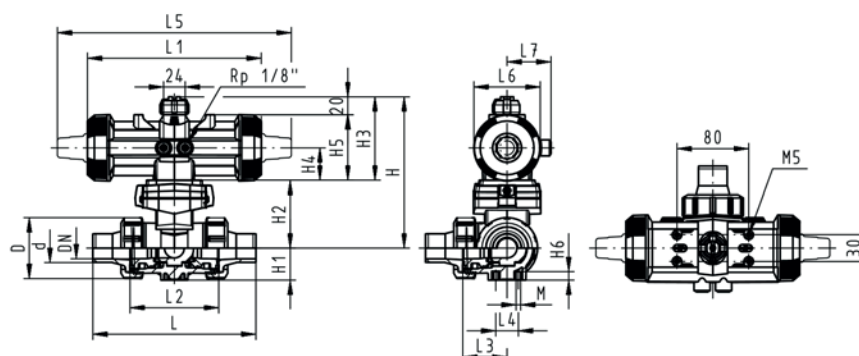
- Material: PVDF
- Built on with pneumatic actuator PA11 (DN10/15-25), PA21 (DN32-50)
- Actuator fails safe to the closed position FC
- Basic position B-C opened, activated position A-C opened, see flow scheme
- Control time $90^\circ <$ 1-3 s
- For easy installation and removal
- Integrated stainless steel mounting inserts



d [mm]	DN [mm]	PN	kv-value ($\Delta p=1$ bar) [l/min]	FPM Code	kg
16	10	10	50	199 287 012	1.191
20	15	10	75	199 287 013	1.202
25	20	10	150	199 287 014	1.369
32	25	10	280	199 287 015	1.623
40	32	10	480	199 287 016	2.827
50	40	10	620	199 287 017	3.460
63	50	10	1230	199 287 018	5.271

d [mm]	D [mm]	H [mm]	H1 [mm]	H2 [mm]	H3 [mm]	H4 [mm]	H5 [mm]	H6 [mm]	L [mm]	L1 [mm]	L2 [mm]	L3 [mm]	L4 [mm]	L5 [mm]	L6 [mm]
16	50	159	28	62	97	40	77	8	126	194	72	36	25	261	76
20	50	159	28	62	97	40	77	8	136	194	72	36	25	261	76
25	58	168	32	71	97	40	77	8	159	194	85	43	25	261	76
32	68	168	36	71	97	40	77	8	178	194	98	49	25	261	76
40	84	203	45	84	119	51	99	9	204	224	118	59	45	305	95
50	97	203	51	84	119	51	99	9	237	224	135	68	45	305	95
63	124	225	65	106	119	51	99	9	296	224	176	88	45	305	95

d [mm]	L7 [mm]	M	closest inch
16	48	6	$\frac{3}{8}$
20	48	6	$\frac{1}{2}$
25	48	6	$\frac{3}{4}$
32	48	6	1
40	59	8	$1 \frac{1}{4}$
50	59	8	$1 \frac{1}{2}$
63	59	8	2



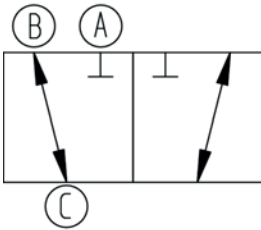
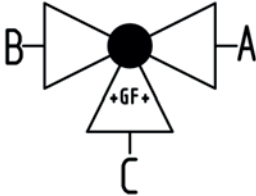
PF 3 39 981 035



SYGEF Standard 3-Way ball valve type 287 Horizontal/L-port Without manual override With butt fusion spigots IR-Plus metric

Model:

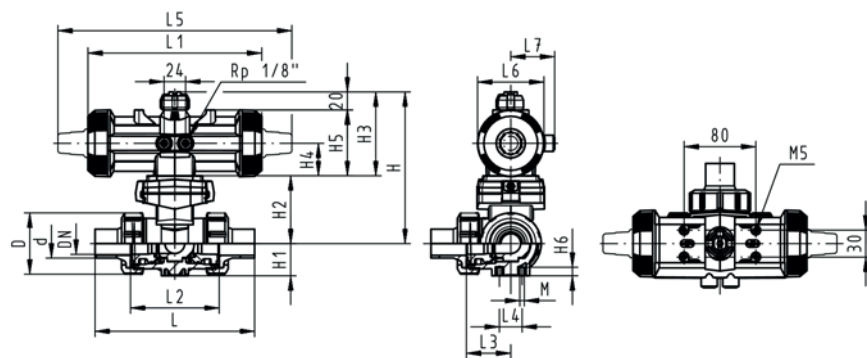
- Material: PVDF
- Built on with pneumatic actuator PA11 (DN10/15-25), PA21 (DN32-50)
- Actuator fails safe to the closed position FC
- Basic position B-C opened, activated position A-C opened, see flow scheme
- Control time $90^\circ <$) 1-3 s
- For easy installation and removal
- Integrated stainless steel mounting inserts



d [mm]	DN [mm]	PN	kv-value ($\Delta p=1$ bar) [l/min]	FPM Code	kg
20	15	10	75	199 287 053	1.666
25	20	10	150	199 287 054	1.369
32	25	10	280	199 287 055	1.623
40	32	10	480	199 287 056	2.827
50	40	10	620	199 287 057	3.294
63	50	10	1230	199 287 058	4.982

d [mm]	D [mm]	H [mm]	H1 [mm]	H2 [mm]	H3 [mm]	H4 [mm]	H5 [mm]	H6 [mm]	L [mm]	L1 [mm]	L2 [mm]	L3 [mm]	L4 [mm]	L5 [mm]	L6 [mm]
20	50	159	28	62	97	40	77	8	146	194	72	36	25	261	76
25	58	168	32	71	97	40	77	8	163	194	85	43	25	261	76
32	68	168	36	71	97	40	77	8	178	194	98	49	25	261	76
40	84	203	45	84	119	51	99	9	204	224	118	59	45	305	95
50	97	203	51	84	119	51	99	9	237	224	135	68	45	305	95
63	124	225	65	106	119	51	99	9	296	224	176	88	45	305	95

d [mm]	L7 [mm]	M	closest inch
20	48	6	1/2
25	48	6	3/4
32	48	6	1
40	59	8	1 1/4
50	59	8	1 1/2
63	59	8	2



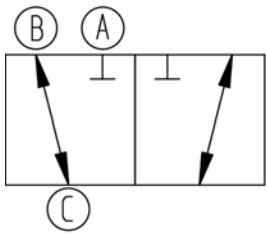
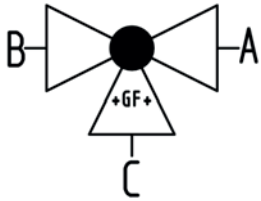
PF 3 39 981 035



SYGEF Standard 3-Way ball valve type 287 Horizontal/L-port Without manual override With threaded sockets NPT

Model:

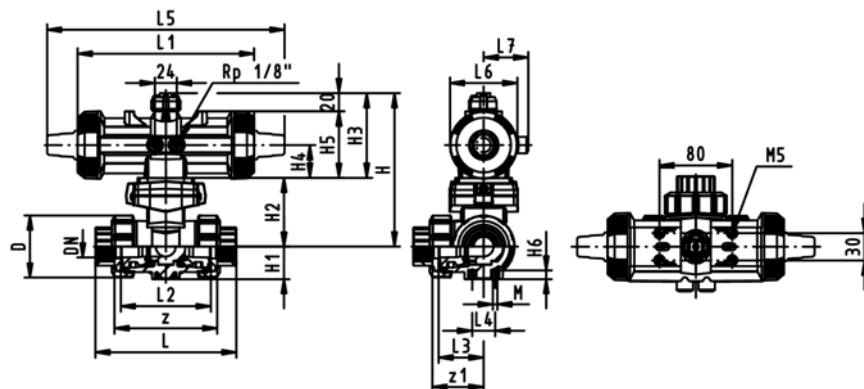
- Material: PVDF
- Built on with pneumatic actuator PA11 (DN10/15-25), PA21 (DN32-50)
- Actuator fails safe to the closed position FC
- Basic position B-C opened, activated position A-C opened, see flow scheme
- Control time $90^\circ <$ 1-3 s
- For easy installation and removal
- Integrated stainless steel mounting inserts



NPT [inch]	DN [mm]	PN	kv-value ($\Delta p=1$ bar) [l/min]	FPM Code	kg
3/8	10	10	50	199 287 242	1.183
1/2	15	10	75	199 287 243	1.179
3/4	20	10	150	199 287 244	1.349
1	25	10	280	199 287 245	1.593
1 1/4	32	10	480	199 287 246	2.800
1 1/2	40	10	620	199 287 247	3.379
2	50	10	1230	199 287 248	5.109

NPT [inch]	D [mm]	H [mm]	H1 [mm]	H2 [mm]	H3 [mm]	H4 [mm]	H5 [mm]	H6 [mm]	L [mm]	L1 [mm]	L2 [mm]	L3 [mm]	L4 [mm]	L5 [mm]	L6 [mm]
3/8	50	159	28	62	97	40	77	8	112	194	72	36	25	261	76
1/2	50	159	28	62	97	40	77	8	114	194	72	36	25	261	76
3/4	58	168	32	71	97	40	77	8	131	194	85	43	25	261	76
1	68	168	36	71	97	40	77	8	154	194	98	49	25	261	76
1 1/4	84	203	45	84	119	51	99	9	180	224	118	59	45	305	95
1 1/2	97	203	51	84	119	51	99	9	203	224	135	68	45	305	95
2	124	225	65	106	119	51	99	9	258	224	176	88	45	305	95

NPT [inch]	L7 [mm]	M	z [mm]	z1 [mm]
3/8	48	6	86	43
1/2	48	6	80	40
3/4	48	6	95	48
1	48	6	110	55
1 1/4	59	8	132	66
1 1/2	59	8	157	79
2	59	8	210	105



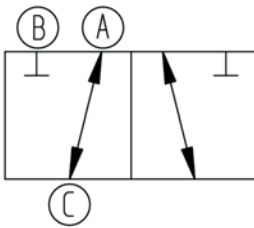
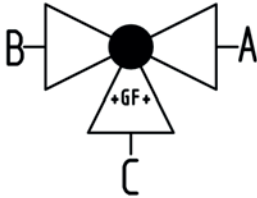
PF 3 39 981 035



SYGEF Standard 3-Way ball valve type 287 Horizontal/L-port DA (Double acting) Without manual override With fusion sockets metric

Model:

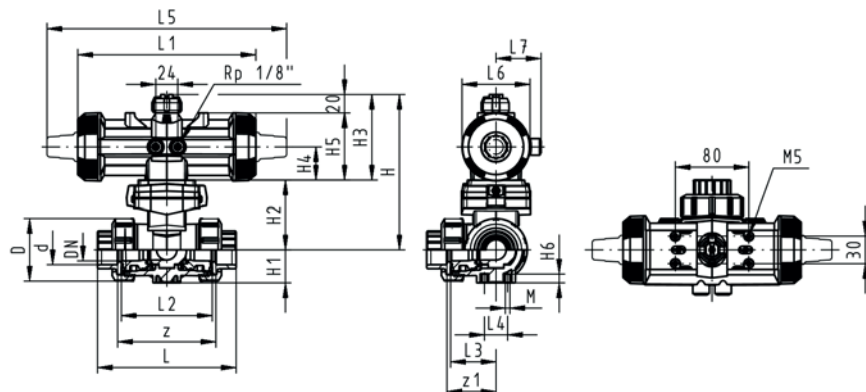
- Material: PVDF
- Built on with pneumatic actuator PA11 (DN10/15-25), PA21 (DN32-50)
- Basic position A-C opened, activated position B-C opened, see flow scheme
- Control time $90^\circ <$ 1-3 s
- For easy installation and removal
- Integrated stainless steel mounting inserts



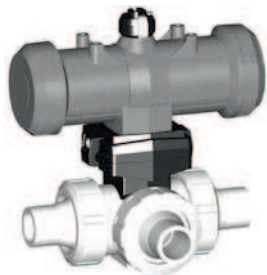
d [mm]	DN [mm]	PN	kv-value ($\Delta p=1$ bar) [l/min]	FPM Code	kg
16	10	10	50	199 287 212	0.992
20	15	10	75	199 287 213	1.001
25	20	10	150	199 287 214	1.159
32	25	10	280	199 287 215	1.403
40	32	10	480	199 287 216	2.376
50	40	10	620	199 287 217	2.955
63	50	10	1230	199 287 218	4.347

d [mm]	D [mm]	H [mm]	H1 [mm]	H2 [mm]	H3 [mm]	H4 [mm]	H5 [mm]	H6 [mm]	L [mm]	L1 [mm]	L2 [mm]	L3 [mm]	L4 [mm]	L5 [mm]	L6 [mm]
16	50	159	28	62	97	40	77	8	110	194	72	36	25	261	76
20	50	159	28	62	97	40	77	8	112	194	72	36	25	261	76
25	58	168	32	71	97	40	77	8	129	194	85	43	25	261	76
32	68	168	36	71	97	40	77	8	146	194	98	49	25	261	76
40	84	203	45	84	119	51	99	9	170	224	118	59	45	305	95
50	97	203	51	84	119	51	99	9	193	224	135	68	45	305	95
63	124	225	65	106	119	51	99	9	244	224	176	88	45	305	95

d [mm]	L7 [mm]	M	z [mm]	z1 [mm]	closest inch
16	48	6	82	41	$\frac{3}{8}$
20	48	6	82	41	$\frac{1}{2}$
25	48	6	97	49	$\frac{3}{4}$
32	48	6	110	55	1
40	59	8	132	66	$1 \frac{1}{4}$
50	59	8	151	76	$1 \frac{1}{2}$
63	59	8	188	94	2



PF 3 39 981 035



SYGEF Standard

3-Way ball valve type 287

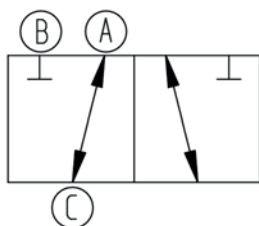
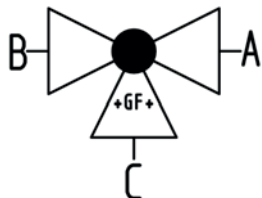
Horizontal/L-port DA (Double acting)

Without manual override

With socket fusion spigots metric

Model:

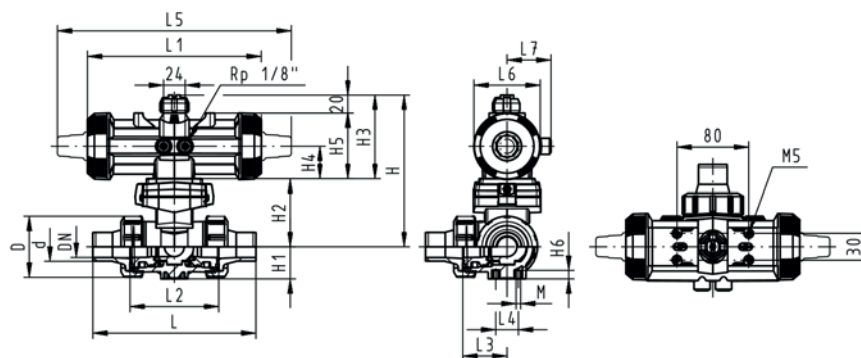
- Material: PVDF
- Built on with pneumatic actuator PA11 (DN10/15-25), PA21 (DN32-50)
- Basic position A-C opened, activated position B-C opened, see flow scheme
- Control time $90^\circ <$ 1-3 s
- For easy installation and removal
- Integrated stainless steel mounting inserts



d [mm]	DN [mm]	PN	kv-value ($\Delta p=1$ bar) [l/min]	FPM Code	kg
16	10	10	50	199 287 132	1.001
20	15	10	75	199 287 133	1.012
25	20	10	150	199 287 134	1.179
32	25	10	280	199 287 135	1.433
40	32	10	480	199 287 136	2.403
50	40	10	620	199 287 137	3.036
63	50	10	1230	199 287 138	4.847

d [mm]	D [mm]	H [mm]	H1 [mm]	H2 [mm]	H3 [mm]	H4 [mm]	H5 [mm]	H6 [mm]	L [mm]	L1 [mm]	L2 [mm]	L3 [mm]	L4 [mm]	L5 [mm]	L6 [mm]
16	50	159	28	62	97	40	77	8	126	194	72	36	25	261	76
20	50	159	28	62	97	40	77	8	136	194	72	36	25	261	76
25	58	168	32	71	97	40	77	8	159	194	85	43	25	261	76
32	68	168	36	71	97	40	77	8	178	194	98	49	25	261	76
40	84	203	45	84	119	51	99	9	204	224	118	59	45	305	95
50	97	203	51	84	119	51	99	9	237	224	135	68	45	305	95
63	124	225	65	106	119	51	99	9	296	224	176	88	45	305	95

d [mm]	L7 [mm]	M	closest inch
16	48	6	$\frac{3}{8}$
20	48	6	$\frac{1}{2}$
25	48	6	$\frac{3}{4}$
32	48	6	1
40	59	8	$1 \frac{1}{4}$
50	59	8	$1 \frac{1}{2}$
63	59	8	2



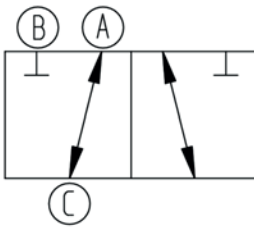
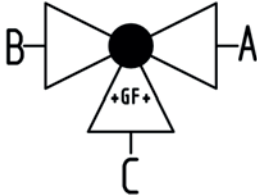
PF 3 39 981 035



SYGEF Standard
3-Way ball valve type 287
Horizontal/L-port DA (Double acting)
Without manual override
With butt fusion spigots IR-Plus metric

Model:

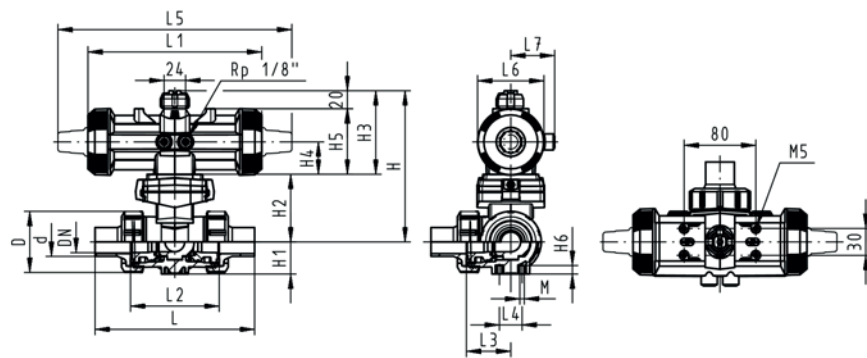
- Material: PVDF
- Built on with pneumatic actuator PA11 (DN10/15-25), PA21 (DN32-50)
- Basic position A-C opened, activated position B-C opened, see flow scheme
- Control time 90° < 1-3 s
- For easy installation and removal
- Integrated stainless steel mounting inserts



d [mm]	DN [mm]	PN	kv-value (Δp=1 bar) [l/min]	FPM Code	kg
20	15	10	75	199 287 173	1.012
25	20	10	150	199 287 174	1.179
32	25	10	280	199 287 175	1.433
40	32	10	480	199 287 176	2.403
50	40	10	620	199 287 177	3.036
63	50	10	1230	199 287 178	4.847

d [mm]	D [mm]	H [mm]	H1 [mm]	H2 [mm]	H3 [mm]	H4 [mm]	H5 [mm]	H6 [mm]	L [mm]	L1 [mm]	L2 [mm]	L3 [mm]	L4 [mm]	L5 [mm]	L6 [mm]
20	50	159	28	62	97	40	77	8	146	194	72	36	25	261	76
25	58	168	32	71	97	40	77	8	163	194	85	43	25	261	76
32	68	168	36	71	97	40	77	8	178	194	98	49	25	261	76
40	84	203	45	84	119	51	99	9	204	224	118	59	45	305	95
50	97	203	51	84	119	51	99	9	237	224	135	68	45	305	95
63	124	225	65	106	119	51	99	9	296	224	176	88	45	305	95

d [mm]	L7 [mm]	M	closest inch
20	48	6	1/2
25	48	6	3/4
32	48	6	1
40	59	8	1 1/4
50	59	8	1 1/2
63	59	8	2



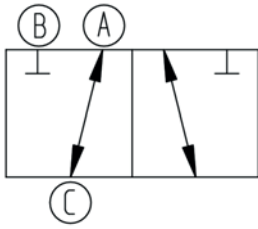
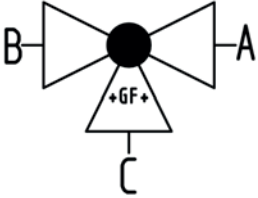
PF 3 39 981 035



SYGEF Standard
3-Way ball valve type 287
Horizontal/L-port DA (Double acting)
Without manual override
With threaded sockets NPT

Model:

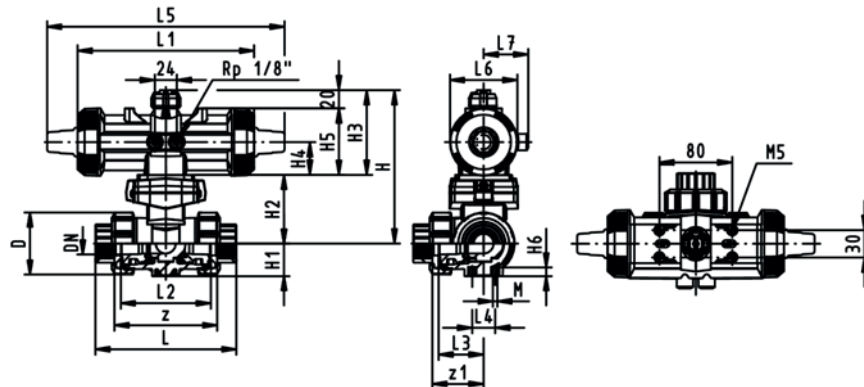
- Material: PVDF
- Built on with pneumatic actuator PA11 (DN10/15-25), PA21 (DN32-50)
- Basic position A-C opened, activated position B-C opened, see flow scheme
- Control time $90^\circ <$ 1-3 s
- For easy installation and removal
- Integrated stainless steel mounting inserts



NPT [inch]	DN [mm]	PN	kv-value ($\Delta p=1$ bar) [l/min]	FPM Code	kg
3/8	10	10	50	199 287 262	0.992
1/2	15	10	75	199 287 263	1.001
3/4	20	10	150	199 287 264	1.159
1	25	10	280	199 287 265	1.403
1 1/4	32	10	480	199 287 266	2.376
1 1/2	40	10	620	199 287 267	2.955
2	50	10	1230	199 287 268	4.685

NPT [inch]	D [mm]	H [mm]	H1 [mm]	H2 [mm]	H3 [mm]	H4 [mm]	H5 [mm]	H6 [mm]	L [mm]	L1 [mm]	L2 [mm]	L3 [mm]	L4 [mm]	L5 [mm]	L6 [mm]
3/8	50	159	28	62	97	40	77	8	112	194	72	36	25	261	76
1/2	50	159	28	62	97	40	77	8	114	194	72	36	25	261	76
3/4	58	168	32	71	97	40	77	8	131	194	85	43	25	261	76
1	68	168	36	71	97	40	77	8	154	194	98	49	25	261	76
1 1/4	84	203	45	84	119	51	99	9	180	224	118	59	45	305	95
1 1/2	97	203	51	84	119	51	99	9	203	224	135	68	45	305	95
2	124	225	65	106	119	51	99	9	258	224	176	88	45	305	95

NPT [inch]	L7 [mm]	M	z [mm]	z1 [mm]
3/8	48	6	86	43
1/2	48	6	80	40
3/4	48	6	95	48
1	48	6	110	55
1 1/4	59	8	132	66
1 1/2	59	8	157	79
2	59	8	210	105



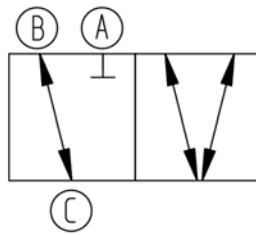
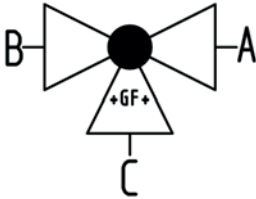
PF 3 39 981 035



SYGEF Standard 3-Way ball valve type 287 Horizontal/T-port Without manual override With fusion sockets metric

Model:

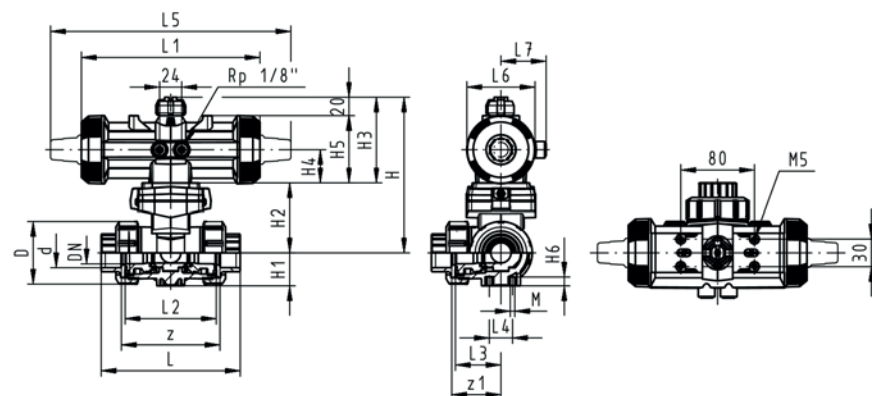
- Material: PVDF
- Built on with pneumatic actuator PA11 (DN10/15-25), PA21 (DN32-50)
- Actuator fails safe to the closed position FC
- Basic position B-C opened, activated position A-B-C opened, see flow scheme
- Control time $90^\circ <$) 1-3 s
- For easy installation and removal
- Integrated stainless steel mounting inserts



d [mm]	DN [mm]	PN	kv-value ($\Delta p=1$ bar) [l/min]	FPM Code	kg
16	10	10	140	199 287 112	1.182
20	15	10	200	199 287 113	1.189
25	20	10	470	199 287 114	1.347
32	25	10	793	199 287 115	1.584
40	32	10	1290	199 287 116	2.786
50	40	10	1910	199 287 117	3.154
63	50	10	3100	199 287 118	5.052

d [mm]	D [mm]	H [mm]	H1 [mm]	H2 [mm]	H3 [mm]	H4 [mm]	H5 [mm]	H6 [mm]	L [mm]	L1 [mm]	L2 [mm]	L3 [mm]	L4 [mm]	L5 [mm]	L6 [mm]
16	50	159	28	62	97	40	77	8	110	194	72	36	25	261	76
20	50	159	28	62	97	40	77	8	112	194	72	36	25	261	76
25	58	168	32	71	97	40	77	8	129	194	85	43	25	261	76
32	68	168	36	71	97	40	77	8	146	194	98	49	25	261	76
40	84	203	45	84	119	51	99	9	170	224	118	59	45	305	95
50	97	203	51	84	119	51	99	9	193	224	135	68	45	305	95
63	124	225	65	106	119	51	99	9	244	224	176	88	45	305	95

d [mm]	L7 [mm]	M [mm]	z [mm]	z1 [mm]	closest inch
16	48	6	82	41	$\frac{3}{8}$
20	48	6	82	41	$\frac{1}{2}$
25	48	6	97	49	$\frac{3}{4}$
32	48	6	110	55	1
40	59	8	132	66	$1 \frac{1}{4}$
50	59	8	151	76	$1 \frac{1}{2}$
63	59	8	188	94	2



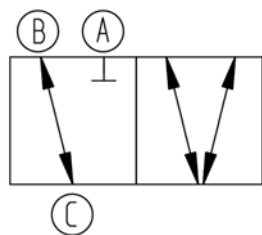
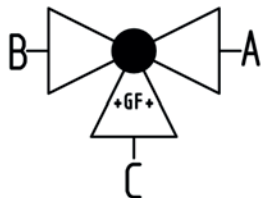
PF 3 39 981 035



SYGEF Standard 3-Way ball valve type 287 Horizontal/T-port Without manual override With socket fusion spigots metric

Model:

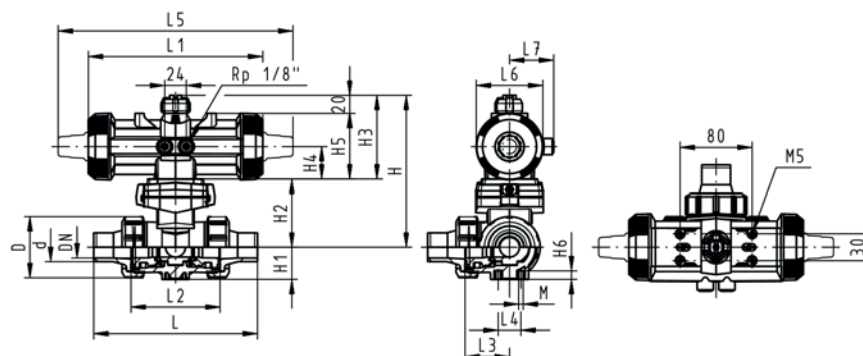
- Material: PVDF
- Built on with pneumatic actuator PA11 (DN10/15-25), PA21 (DN32-50)
- Actuator fails safe to the closed position FC
- Basic position B-C opened, activated position A-B-C opened, see flow scheme
- Control time 90°<) 1-3 s
- For easy installation and removal
- Integrated stainless steel mounting inserts



d [mm]	DN [mm]	PN	kv-value ($\Delta p=1$ bar) [l/min]	FPM Code	kg
16	10	10	140	199 287 032	1.189
20	15	10	200	199 287 033	1.201
25	20	10	470	199 287 034	1.366
32	25	10	793	199 287 035	1.615
40	32	10	1290	199 287 036	2.813
50	40	10	1910	199 287 037	3.433
63	50	10	3100	199 287 038	5.213

d [mm]	D [mm]	H [mm]	H1 [mm]	H2 [mm]	H3 [mm]	H4 [mm]	H5 [mm]	H6 [mm]	L [mm]	L1 [mm]	L2 [mm]	L3 [mm]	L4 [mm]	L5 [mm]	L6 [mm]
16	50	159	28	62	97	40	77	8	126	194	72	36	25	261	76
20	50	159	28	62	97	40	77	8	136	194	72	36	25	261	76
25	58	168	32	71	97	40	77	8	159	194	85	43	25	261	76
32	68	168	36	71	97	40	77	8	178	194	98	49	25	261	76
40	84	203	45	84	119	51	99	9	204	224	118	59	45	305	95
50	97	203	51	84	119	51	99	9	237	224	135	68	45	305	95
63	124	225	65	106	119	51	99	9	296	224	176	88	45	305	95

d [mm]	L7 [mm]	M	closest inch
16	48	6	3/8
20	48	6	1/2
25	48	6	3/4
32	48	6	1
40	59	8	1 1/4
50	59	8	1 1/2
63	59	8	2



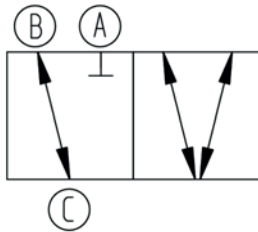
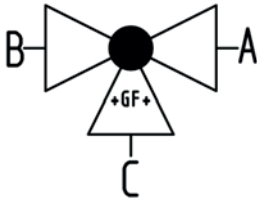
PF 3 39 981 035



SYGEF Standard 3-Way ball valve type 287 Horizontal/T-port Without manual override With butt fusion spigots IR-Plus metric

Model:

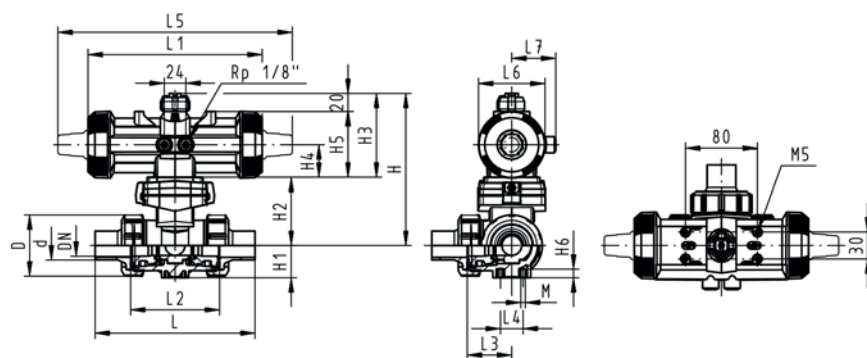
- Material: PVDF
- Built on with pneumatic actuator PA11 (DN10/15-25), PA21 (DN32-50)
- Actuator fails safe to the closed position FC
- Basic position B-C opened, activated position A-B-C opened, see flow scheme
- Control time $90^\circ <$) 1-3 s
- For easy installation and removal
- Integrated stainless steel mounting inserts



d [mm]	DN [mm]	PN	kv-value ($\Delta p=1$ bar) [l/min]	FPM Code	kg
20	15	10	200	199 287 073	1.201
25	20	10	470	199 287 074	1.366
32	25	10	793	199 287 075	1.615
40	32	10	1290	199 287 076	2.813
50	40	10	1910	199 287 077	3.433
63	50	10	3100	199 287 078	5.213

d [mm]	D [mm]	H [mm]	H1 [mm]	H2 [mm]	H3 [mm]	H4 [mm]	H5 [mm]	H6 [mm]	L [mm]	L1 [mm]	L2 [mm]	L3 [mm]	L4 [mm]	L5 [mm]	L6 [mm]
20	50	159	28	62	97	40	77	8	146	194	72	36	25	261	76
25	58	168	32	71	97	40	77	8	163	194	85	43	25	261	76
32	68	168	36	71	97	40	77	8	178	194	98	49	25	261	76
40	84	203	45	84	119	51	99	9	204	224	118	59	45	305	95
50	97	203	51	84	119	51	99	9	237	224	135	68	45	305	95
63	124	225	65	106	119	51	99	9	296	224	176	88	45	305	95

d [mm]	L7 [mm]	M	closest inch
20	48	6	1/2
25	48	6	3/4
32	48	6	1
40	59	8	1 1/4
50	59	8	1 1/2
63	59	8	2



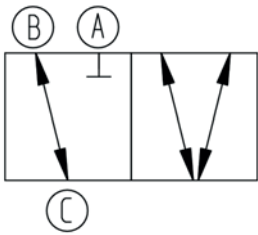
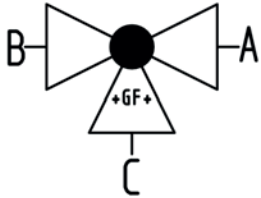
PF 3 39 981 035



SYGEF Standard 3-Way ball valve type 287 Horizontal/T-port Without manual override With threaded sockets NPT

Model:

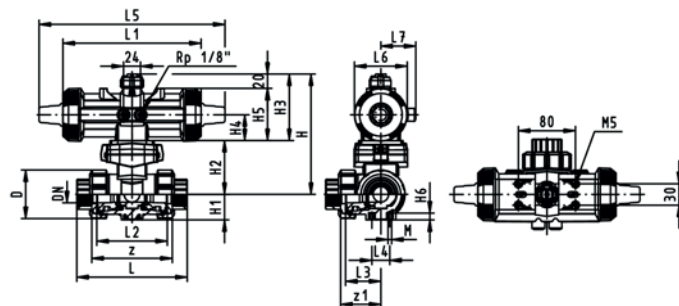
- Material: PVDF
- Built on with pneumatic actuator PA11 (DN10/15-25), PA21 (DN32-50)
- Actuator fails safe to the closed position FC
- Basic position B-C opened, activated position A-B-C opened, see flow scheme
- Control time $90^\circ <$ 1-3 s
- For easy installation and removal
- Integrated stainless steel mounting inserts



NPT [inch]	DN [mm]	PN	kv-value ($\Delta p=1$ bar) [l/min]	FPM Code	kg
3/8	10	10	140	199 287 252	1.182
1/2	15	10	200	199 287 253	1.189
3/4	20	10	470	199 287 254	1.347
1	25	10	793	199 287 255	1.584
1 1/4	32	10	1290	199 287 256	2.786
1 1/2	40	10	1910	199 287 257	3.352
2	50	10	3100	199 287 258	5.052

NPT [inch]	D [mm]	H [mm]	H1 [mm]	H2 [mm]	H3 [mm]	H4 [mm]	H5 [mm]	H6 [mm]	L [mm]	L1 [mm]	L2 [mm]	L3 [mm]	L4 [mm]	L5 [mm]	L6 [mm]
3/8	50	159	28	62	97	40	77	8	112	194	72	36	25	261	76
1/2	50	159	28	62	97	40	77	8	114	194	72	36	25	261	76
3/4	58	168	32	71	97	40	77	8	131	194	85	43	25	261	76
1	68	168	36	71	97	40	77	8	154	194	98	49	25	261	76
1 1/4	84	203	45	84	119	51	99	9	180	224	118	59	45	305	95
1 1/2	97	203	51	84	119	51	99	9	203	224	135	68	45	305	95
2	124	225	65	106	119	51	99	9	258	224	176	88	45	305	95

NPT [inch]	L7 [mm]	M	z [mm]	z1 [mm]
3/8	48	6	86	43
1/2	48	6	80	40
3/4	48	6	95	48
1	48	6	110	55
1 1/4	59	8	132	66
1 1/2	59	8	157	79
2	59	8	210	105



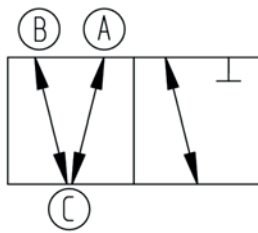
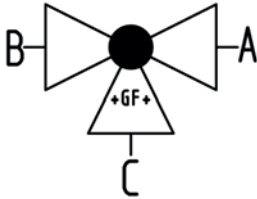
PF 3 39 981 035



SYGEF Standard 3-Way ball valve type 287 Horizontal/T-port DA (Double acting) Without manual override With fusion sockets metric

Model:

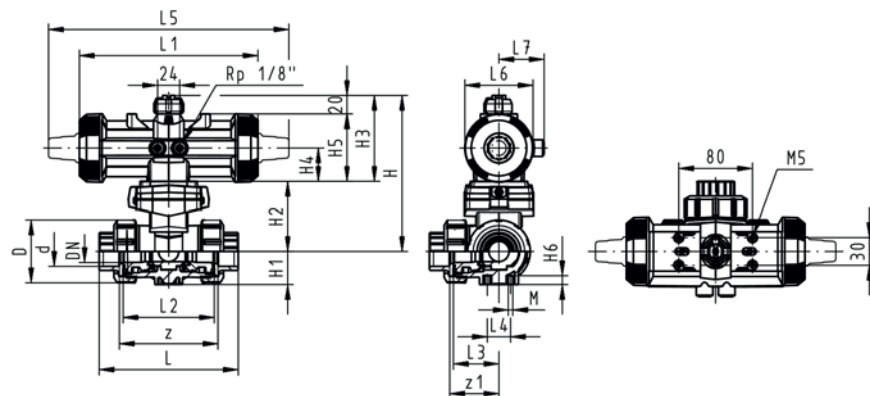
- Material: PVDF
- Built on with pneumatic actuator PA11 (DN10/15-25), PA21 (DN32-50)
- Basic position A-B-C opened, activated position B-C opened, see flow scheme
- Control time $90^\circ <$ 1-3 s
- For easy installation and removal
- Integrated stainless steel mounting inserts



d [mm]	DN [mm]	PN	kv-value ($\Delta p=1$ bar) [l/min]	FPM Code	kg
16	10	10	140	199 287 232	0.991
20	15	10	200	199 287 233	0.999
25	20	10	470	199 287 234	1.157
32	25	10	793	199 287 235	1.394
40	32	10	1290	199 287 236	2.362
50	40	10	1910	199 287 237	2.928
63	50	10	3100	199 287 238	4.628

d [mm]	D [mm]	H [mm]	H1 [mm]	H2 [mm]	H3 [mm]	H4 [mm]	H5 [mm]	H6 [mm]	L [mm]	L1 [mm]	L2 [mm]	L3 [mm]	L4 [mm]	L5 [mm]	L6 [mm]
16	50	159	28	62	97	40	77	8	110	194	72	36	25	261	76
20	50	159	28	62	97	40	77	8	112	194	72	36	25	261	76
25	58	168	32	71	97	40	77	8	129	194	85	43	25	261	76
32	68	168	36	71	97	40	77	8	146	194	98	49	25	261	76
40	84	203	45	84	119	51	99	9	170	224	118	59	45	305	95
50	97	203	51	84	119	51	99	9	193	224	135	68	45	305	95
63	124	225	65	106	119	51	99	9	244	224	176	88	45	305	95

d [mm]	L7 [mm]	M	z [mm]	z1 [mm]	closest inch
16	48	6	82	41	$\frac{3}{8}$
20	48	6	82	41	$\frac{1}{2}$
25	48	6	97	49	$\frac{3}{4}$
32	48	6	110	55	1
40	59	8	132	66	$1 \frac{1}{4}$
50	59	8	151	76	$1 \frac{1}{2}$
63	59	8	188	94	2



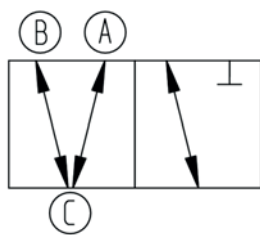
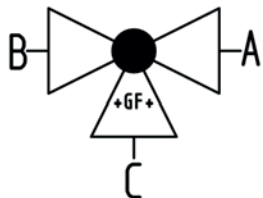
PF 3 39 981 035



SYGEF Standard 3-Way ball valve type 287 Horizontal/T-port DA (Double acting) Without manual override With socket fusion spigots metric

Model:

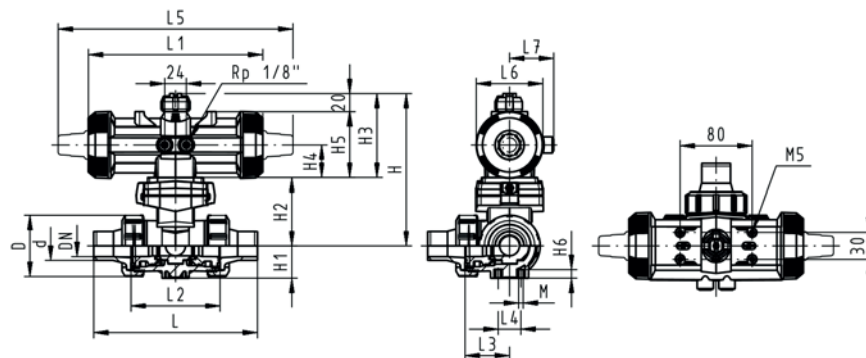
- Material: PVDF
- Built on with pneumatic actuator PA11 (DN10/15-25), PA21 (DN32-50)
- Basic position A-B-C opened, activated position B-C opened, see flow scheme
- Control time $90^\circ <$ 1-3 s
- For easy installation and removal
- Integrated stainless steel mounting inserts



d [mm]	DN [mm]	PN	kv-value ($\Delta p=1$ bar) [l/min]	FPM Code	kg
16	10	10	140	199 287 152	0.999
20	15	10	200	199 287 153	1.011
25	20	10	470	199 287 154	1.176
32	25	10	793	199 287 155	1.425
40	32	10	1290	199 287 156	2.389
50	40	10	1910	199 287 157	3.009
63	50	10	3100	199 287 158	4.789

d [mm]	D [mm]	H [mm]	H1 [mm]	H2 [mm]	H3 [mm]	H4 [mm]	H5 [mm]	H6 [mm]	L [mm]	L1 [mm]	L2 [mm]	L3 [mm]	L4 [mm]	L5 [mm]	L6 [mm]
16	50	159	28	62	97	40	77	8	126	194	72	36	25	261	76
20	50	159	28	62	97	40	77	8	136	194	72	36	25	261	76
25	58	168	32	71	97	40	77	8	159	194	85	43	25	261	76
32	68	168	36	71	97	40	77	8	178	194	98	49	25	261	76
40	84	203	45	84	119	51	99	9	204	224	118	59	45	305	95
50	97	203	51	84	119	51	99	9	237	224	135	68	45	305	95
63	124	225	65	106	119	51	99	9	296	224	176	88	45	305	95

d [mm]	L7 [mm]	M	closest inch
16	48	6	$\frac{3}{8}$
20	48	6	$\frac{1}{2}$
25	48	6	$\frac{3}{4}$
32	48	6	1
40	59	8	$1 \frac{1}{4}$
50	59	8	$1 \frac{1}{2}$
63	59	8	2



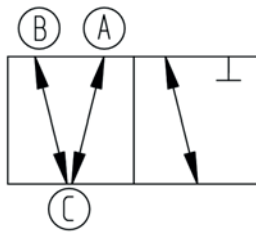
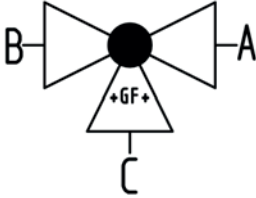
PF 3 39 981 035



SYGEF Standard 3-Way ball valve type 287 Horizontal/T-port DA (Double acting) Without manual override With butt fusion spigots IR-Plus metric

Model:

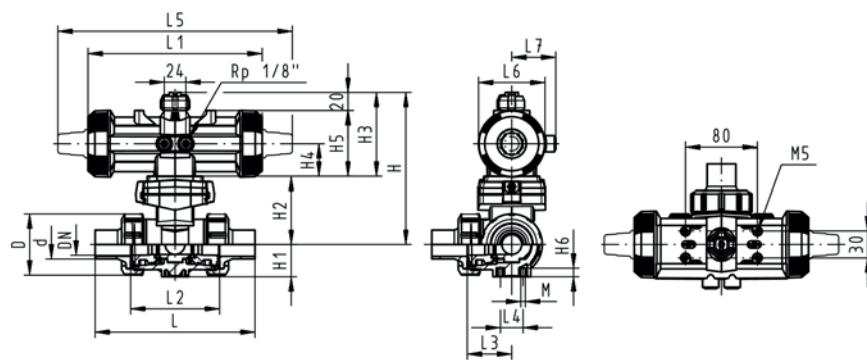
- Material: PVDF
- Built on with pneumatic actuator PA11 (DN10/15-25), PA21 (DN32-50)
- Basic position A-B-C opened, activated position B-C opened, see flow scheme
- Control time $90^\circ <$) 1-3 s
- For easy installation and removal
- Integrated stainless steel mounting inserts



d [mm]	DN [mm]	PN	kv-value ($\Delta p=1$ bar) [l/min]	FPM Code	kg
20	15	10	140	199 287 193	1.011
25	20	10	200	199 287 194	1.176
32	25	10	470	199 287 195	1.425
40	32	10	793	199 287 196	2.389
50	40	10	1290	199 287 197	3.009
63	50	10	3100	199 287 198	4.789

d [mm]	D [mm]	H [mm]	H1 [mm]	H2 [mm]	H3 [mm]	H4 [mm]	H5 [mm]	H6 [mm]	L [mm]	L1 [mm]	L2 [mm]	L3 [mm]	L4 [mm]	L5 [mm]	L6 [mm]
20	50	159	28	62	97	40	77	8	146	194	72	36	25	261	76
25	58	168	32	71	97	40	77	8	163	194	85	43	25	261	76
32	68	168	36	71	97	40	77	8	178	194	98	49	25	261	76
40	84	203	45	84	119	51	99	9	204	224	118	59	45	305	95
50	97	203	51	84	119	51	99	9	237	224	135	68	45	305	95
63	124	225	65	106	119	51	99	9	296	224	176	88	45	305	95

d [mm]	L7 [mm]	M	closest inch
20	48	6	1/2
25	48	6	3/4
32	48	6	1
40	59	8	1 1/4
50	59	8	1 1/2
63	59	8	2



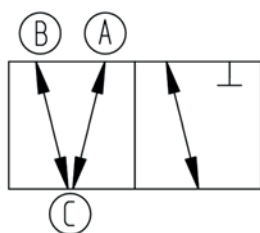
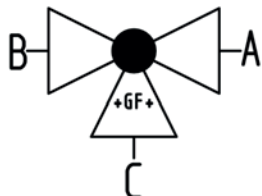
PF 3 39 981 035



SYGEF Standard 3-Way ball valve type 287 Horizontal/T-port DA (Double acting) Without manual override With threaded sockets NPT

Model:

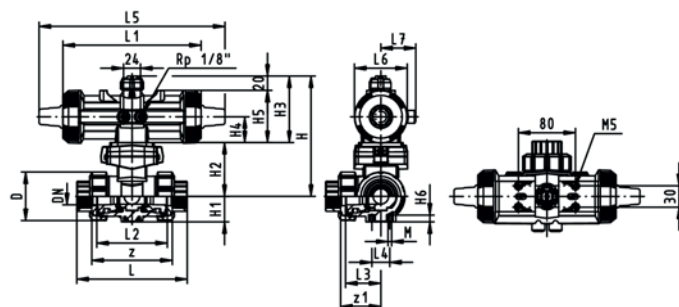
- Material: PVDF
- Built on with pneumatic actuator PA11 (DN10/15-25), PA21 (DN32-50)
- Basic position A-B-C opened, activated position B-C opened, see flow scheme
- Control time $90^\circ <$ 1-3 s
- For easy installation and removal
- Integrated stainless steel mounting inserts



NPT [inch]	DN [mm]	PN	kv-value ($\Delta p=1$ bar) [l/min]	FPM Code	kg
3/8	10	10	140	199 287 272	0.991
1/2	15	10	200	199 287 273	0.999
3/4	20	10	470	199 287 274	1.157
1	25	10	793	199 287 275	1.394
1 1/4	32	10	1290	199 287 276	2.362
1 1/2	40	10	1910	199 287 277	2.928
2	50	10	3100	199 287 278	4.628

NPT [inch]	D [mm]	H [mm]	H1 [mm]	H2 [mm]	H3 [mm]	H4 [mm]	H5 [mm]	H6 [mm]	L [mm]	L1 [mm]	L2 [mm]	L3 [mm]	L4 [mm]	L5 [mm]	L6 [mm]
3/8	50	159	28	62	97	40	77	8	112	194	72	36	25	261	76
1/2	50	159	28	62	97	40	77	8	114	194	72	36	25	261	76
3/4	58	168	32	71	97	40	77	8	131	194	85	43	25	261	76
1	68	168	36	71	97	40	77	8	154	194	98	49	25	261	76
1 1/4	84	203	45	84	119	51	99	9	180	224	118	59	45	305	95
1 1/2	97	203	51	84	119	51	99	9	203	224	135	68	45	305	95
2	124	225	65	106	119	51	99	9	258	224	176	88	45	305	95

NPT [inch]	L7 [mm]	M	z [mm]	z1 [mm]
3/8	48	6	86	43
1/2	48	6	80	40
3/4	48	6	95	48
1	48	6	110	55
1 1/4	59	8	132	66
1 1/2	59	8	157	79
2	59	8	210	105



PF 3 39 981 035

Diaphragm valves pneumatic

New generation

SYGEF Standard

Diaphragm valve DIASTAR TenPlus

FC (Fail safe to close)

Unions with fusion sockets metric



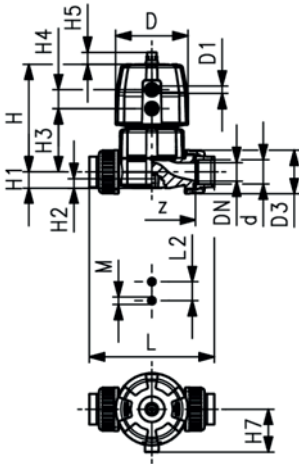
Model:

- Material: PVDF
- Double flow rate compared to predecessor
- One housing nut replaces four screws
- Rotating air connection at 90° intervals
- For easy installation and removal
- Short overall length

Option:

- Individual configuration of the valve (see diagram)
- Comprehensive range of accessories available

* PN: PTFE/EPDM



d [mm]	DN [mm]	PN* [bar]	PN [psi]	kv-value ($\Delta p=1$ bar) [l/min]	PTFE/EPDM Code	PTFE/FPM Code	kg
20	15	10/10*	150/150*	125	185 684 032	185 684 052	1.147
25	20	10/10*	150/150*	271	185 684 033	185 684 053	1.233
32	25	10/10*	150/150*	481	185 684 034	185 684 054	2.184
40	32	10/10*	150/150*	759	185 684 035	185 684 055	3.643
50	40	10/10*	150/150*	1263	185 684 036	185 684 056	5.729
63	50	10/10*	150/150*	1728	185 684 037	185 684 057	6.873

d [mm]	D [mm]	D1_G [inch]	L [mm]	L2 [mm]	H [mm]	H1 [mm]	H2 [mm]	H3 [mm]	H4 [mm]	H5 [mm]	H7 [mm]	M	z [mm]	Lift = Hx [mm]
20	96	1/8	128	25	127	14	12	68	25	16	57	M6	100	7
25	96	1/8	152	25	132	18	12	73	25	16	57	M6	118	10
32	120	1/8	166	25	167	22	12	93	26	26	69	M6	126	13
40	150	1/4	192	45	196	26	15	101	36	26	88	M8	144	15
50	180	1/4	222	45	239	32	15	124	37	26	103	M8	164	19
63	180	1/4	266	45	251	39	15	137	37	26	103	M8	194	23

d [mm]	closest inch
20	1/2
25	3/4
32	1
40	1 1/4
50	1 1/2
63	2

PF 3 39 772 620



SYGEF Standard Diaphragm valve DIASTAR TenPlus FC (Fail safe to close) Unions with butt fusion spigots metric

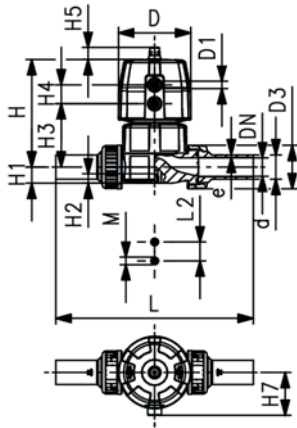
Model:

- Material: PVDF
- Double flow rate compared to predecessor
- One housing nut replaces four screws
- Rotating air connection at 90° intervals
- For easy installation and removal
- Short overall length

Option:

- Individual configuration of the valve (see diagram)
- Comprehensive range of accessories available

* PN: PTFE/EPDM



d [mm]	DN [mm]	PN* [bar]	PN [psi]	kv-value ($\Delta p=1$ bar) [l/min]	PTFE/EPDM Code	PTFE/FPM Code	kg
20	15	10/10*	150/150*	125	185 684 132	185 684 152	1.185
25	20	10/10*	150/150*	271	185 684 133	185 684 153	1.386
32	25	10/10*	150/150*	481	185 684 134	185 684 154	2.537
40	32	10/10*	150/150*	759	185 684 135	185 684 155	3.735
50	40	10/10*	150/150*	1263	185 684 136	185 684 156	5.757
63	50	10/10*	150/150*	1728	185 684 137	185 684 157	6.991

d [mm]	D [mm]	D1_G [inch]	L [mm]	L2 [mm]	H [mm]	H1 [mm]	H2 [mm]	H3 [mm]	H4 [mm]	H5 [mm]	H7 [mm]	M	Lift = Hx [mm]	e [mm]
20	96	1/8	196	25	127	14	12	68	25	16	57	M6	7	1.9
25	96	1/8	221	25	132	18	12	73	25	16	57	M6	10	1.9
32	120	1/8	234	25	167	22	12	93	26	26	69	M6	13	2.4
40	150	1/4	260	45	196	26	15	101	36	26	88	M8	15	2.4
50	180	1/4	284	45	239	32	15	124	37	26	103	M8	19	3.0
63	180	1/4	321	45	251	39	15	137	37	26	103	M8	23	3.0

d [mm]	closest inch
20	1/2
25	3/4
32	1
40	1 1/4
50	1 1/2
63	2

PF 3 39 772 620



SYGEF Standard Diaphragm valve DIASTAR TenPlus FC (Fail safe to close) With socket fusion spigots metric

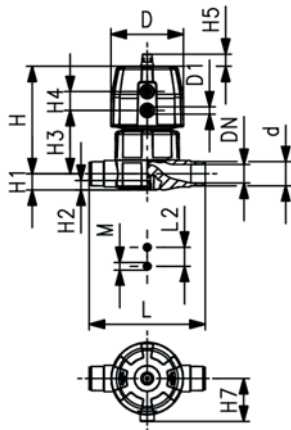
Model:

- Material: PVDF
- Double flow rate compared to predecessor
- One housing nut replaces four screws
- Rotating air connection at 90° intervals
- Overall length EN 558

Option:

- Individual configuration of the valve (see diagram)
- Comprehensive range of accessories available

* PN: PTFE/EPDM



d [mm]	DN [mm]	PN* [bar]	PN [psi]	kv-value ($\Delta p=1$ bar) [l/min]	PTFE/EPDM Code	PTFE/FPM Code	kg
20	15	10/10*	150/150*	125	185 685 032	185 685 052	1.081
25	20	10/10*	150/150*	271	185 685 033	185 685 053	1.217
32	25	10/10*	150/150*	481	185 685 034	185 685 054	2.030
40	32	10/10*	150/150*	759	185 685 035	185 685 055	3.375
50	40	10/10*	150/150*	1263	185 685 036	185 685 056	5.334
63	50	10/10*	150/150*	1728	185 685 037	185 685 057	6.233

d [mm]	D [mm]	D1_G [inch]	L [mm]	L2 [mm]	H [mm]	H1 [mm]	H2 [mm]	H3 [mm]	H4 [mm]	H5 [mm]	H7 [mm]	M	Lift = Hx [mm]	closest inch
20	96	1/8	124	25	127	14	12	68	25	16	57	M6	7	1/2
25	96	1/8	144	25	132	18	12	73	25	16	57	M6	10	3/4
32	120	1/8	154	25	167	22	12	93	26	26	69	M6	13	1
40	150	1/4	174	45	196	26	15	101	36	26	88	M8	15	1 1/4
50	180	1/4	194	45	239	32	15	124	37	26	103	M8	19	1 1/2
63	180	1/4	224	45	251	39	15	137	37	26	103	M8	23	2

PF 3 39 772 610



SYGEF Standard Diaphragm valve DIASTAR TenPlus FC (Fail safe to close) With butt fusion spigots metric

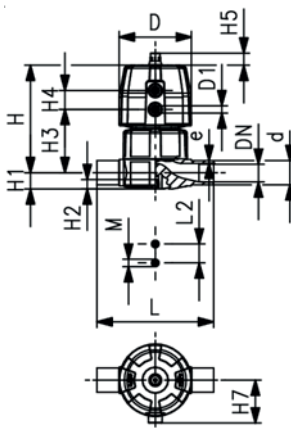
Model:

- Material: PVDF
- Double flow rate compared to predecessor
- One housing nut replaces four screws
- Rotating air connection at 90° intervals

Option:

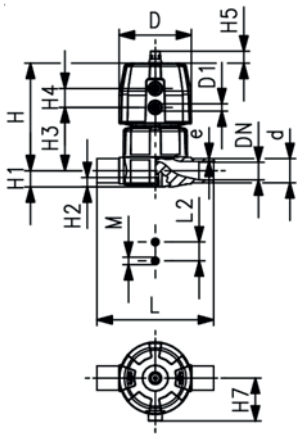
- Individual configuration of the valve (see diagram)
- Comprehensive range of accessories available

* PN: PTFE/EPDM



d [mm]	DN [mm]	PN* [bar]	PN [psi]	kv-value ($\Delta p=1$ bar) [l/min]	PTFE/EPDM Code	PTFE/FPM Code	kg
20	15	10/10*	150/150*	125	185 685 132	185 685 152	0.972
25	20	10/10*	150/150*	271	185 685 133	185 685 153	1.209
32	25	10/10*	150/150*	481	185 685 134	185 685 154	2.022
40	32	10/10*	150/150*	759	185 685 135	185 685 155	3.350
50	40	10/10*	150/150*	1263	185 685 136	185 685 156	5.289
63	50	10/10*	150/150*	1728	185 685 137	185 685 157	6.151

table continued next page



d [mm]	D [mm]	D1_G [inch]	L [mm]	L2 [mm]	H [mm]	H1 [mm]	H2 [mm]	H3 [mm]	H4 [mm]	H5 [mm]	H7 [mm]	M	Lift = Hx [mm]	e [mm]
20	96	1/8	124	25	127	14	12	68	25	16	57	M6	7	1.9
25	96	1/8	144	25	132	18	12	73	25	16	57	M6	10	1.9
32	120	1/8	154	25	167	22	12	93	26	26	69	M6	13	2.4
40	150	1/4	174	45	196	26	15	101	36	26	88	M8	15	2.4
50	180	1/4	194	45	239	32	15	124	37	26	103	M8	19	3.0
63	180	1/4	224	45	251	39	15	137	37	26	103	M8	23	3.0

d [mm]	closest inch
20	1/2
25	3/4
32	1
40	1 1/4
50	1 1/2
63	2

PF 3 39 772 610



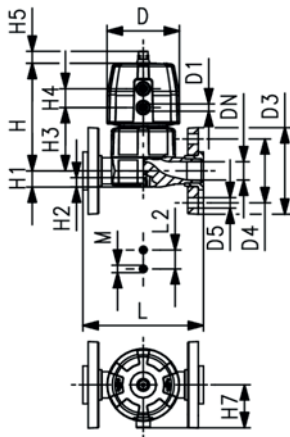
SYGEF Standard Diaphragm valve DIASTAR TenPlus FC (Fail safe to close) With backing flanges PP-V metric/BS

Model:

- Material: PVDF
- Double flow rate compared to predecessor
- One housing nut replaces four screws
- Rotating air connection at 90° intervals
- Flat sealing faces/serrated
- Overall length EN 558
- Connecting dimension: ISO 7005 PN 10, EN 1092 PN 10, DIN 2501 PN 10, BS 4504 PN 10

Option:

- Individual configuration of the valve (see diagram)
- Comprehensive range of accessories available



d [mm]	DN [mm]	PN	kv-value ($\Delta p=1$ bar) [l/min]	PTFE/EPDM Code	PTFE/FPM Code	kg
20	15	10	125	185 687 132	185 687 152	1.281
25	20	10	271	185 687 133	185 687 153	1.491
32	25	10	481	185 687 134	185 687 154	2.410
40	32	10	759	185 687 135	185 687 155	3.961
50	40	10	1263	185 687 136	185 687 156	5.944
63	50	10	1728	185 687 137	185 687 157	7.277

d [mm]	D [mm]	D1_G [inch]	D3 [mm]	D4 [mm]	D5 [mm]	L [mm]	L2 [mm]	H [mm]	H1 [mm]	H2 [mm]	H3 [mm]	H4 [mm]	H5 [mm]	H7 [mm]	M
20	96	1/8	95	65	14	130	25	127	14	12	68	25	16	57	M6
25	96	1/8	105	75	14	150	25	132	18	12	73	25	16	57	M6
32	120	1/8	115	85	14	160	25	167	22	12	93	26	26	69	M6
40	150	1/4	140	100	18	180	45	196	26	15	101	36	26	88	M8
50	180	1/4	150	110	18	200	45	239	32	15	124	37	26	103	M8
63	180	1/4	165	125	18	230	45	251	39	15	137	37	26	103	M8

d [mm]	Lift = Hx [mm]	closest inch
20	7	1/2
25	10	3/4
32	13	1
40	15	1 1/4
50	19	1 1/2
63	23	2

PF 3 39 772 630



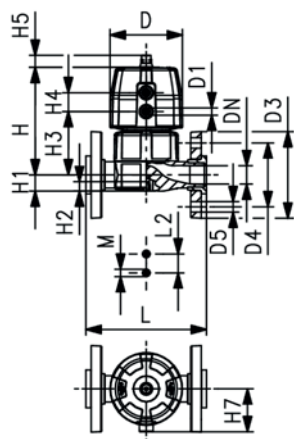
SYGEF Standard Diaphragm valve DIASTAR TenPlus FC (Fail safe to close) With backing flanges PP-V Inch ANSI

Model:

- Material: PVDF
- Double flow rate compared to predecessor
- One housing nut replaces four screws
- Rotating air connection at 90° intervals
- Flat sealing faces/serrated
- Overall length EN 558
- Connecting dimension: ANSI/ASME B 16.5 class 150, ASTM D 4024, BS 1560, BS EN 1759

Option:

- Individual configuration of the valve (see diagram)
- Comprehensive range of accessories available



Inch	DN [mm]	PN	kv-value ($\Delta p=1$ bar) [l/min]	PTFE/EPDM Code	PTFE/FPM Code	kg
½	15	10	125	185 687 732	185 687 752	1.281
¾	20	10	271	185 687 733	185 687 753	1.491
1	25	10	481	185 687 734	185 687 754	2.410
1 ¼	32	10	759	185 687 735	185 687 755	3.961
1 ½	40	10	1263	185 687 736	185 687 756	5.944
2	50	10	1728	185 687 737	185 687 757	7.277

Inch	D [mm]	D1_G [inch]	D3 [mm]	D4 [mm]	D5 [mm]	L [mm]	L2 [mm]	H [mm]	H1 [mm]	H2 [mm]	H3 [mm]	H4 [mm]	H5 [mm]	H7 [mm]	M
½	96	⅝	95	60	16	130	25	127	14	12	68	25	16	57	M6
¾	96	⅝	105	70	16	150	25	132	18	12	73	25	16	57	M6
1	120	⅝	115	79	16	160	25	167	22	12	93	26	26	69	M6
1 ¼	150	¾	140	89	16	180	45	196	26	15	101	36	26	88	M8
1 ½	180	¾	150	98	16	200	45	239	32	15	124	37	26	103	M8
2	180	¾	165	121	19	230	45	251	39	15	137	37	26	103	M8

Inch	Lift = Hx [mm]
½	7
¾	10
1	13
1 ¼	15
1 ½	19
2	23

PF 3 39 772 630



SYGEF Standard Diaphragm valve type DIASTAR 025 Function FC (Fail safe to close) With fixed flanges PVDF metric

Model:

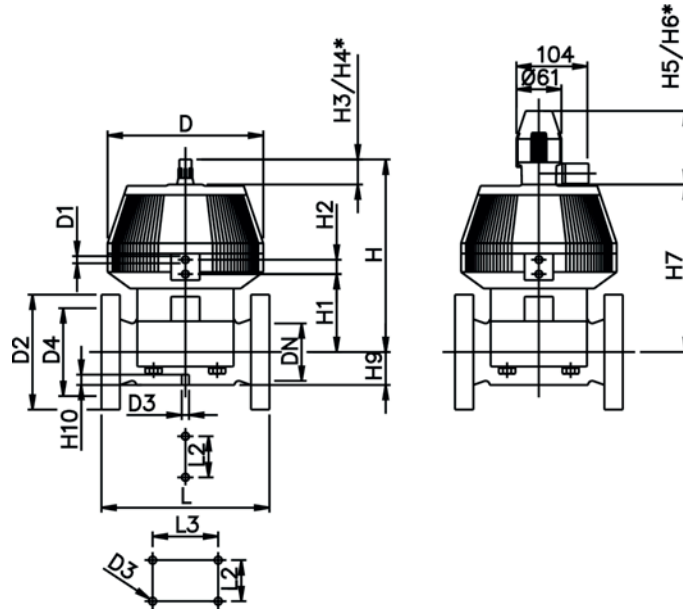
- Material: PVDF
- Connecting dimensions: ISO 7005 / EN 1092 / DIN 2501 PN10 / BS4504
- With position indicator / Working pressure: on one side
- * With backing flanges PP-V
- ** Connecting dimensions DN80 and DN150 metric and Inch ANSI B16.5

d [mm]	DN [mm]	Inch	PN	kv-value ($\Delta p=1$ bar) [l/min]	PTFE/EPDM Code	kg
* 75	65	2 ½	10	992	199 025 357	13.600
** 90	80	3	10	1700	199 025 358	18.948
110	100	4	6	2700	199 025 359	32.500

table continued next page

d [mm]	D [mm]	D1_G [inch]	D2 [mm]	D3[M] [mm]	D4 [mm]	L [mm]	L2 [mm]	H [mm]	H1 [mm]	H2 [mm]	H3 [mm]	H4 [mm]	H5 [mm]	H6 [mm]
* 75	280	¼	185	8	145	290	70	344	148	24	46	100	129	195
** 90	280	¼	200	12	160	310	120	348	150	24	46	100	129	195
110	335	¼	225	12	180	350	120	395	176	24	46	100	129	195

d [mm]	H7 [mm]	H9 [mm]	H10 [mm]
* 75	298	46	15
** 90	302	57	15
110	349	69	20



PF 3 39 212 044



SYGEF Standard Diaphragm valve type DIASTAR 025 Function FC (Fail safe to close) With fixed flanges PVDF Inch ANSI

Model:

- Material: PVDF
- Overall length according to EN 558
- Connecting dimension: ANSI/ASME B 16.5 class 150, ASTM D 4024, BS 1560, BS EN 1759
- With position indicator / Working pressure: on one side

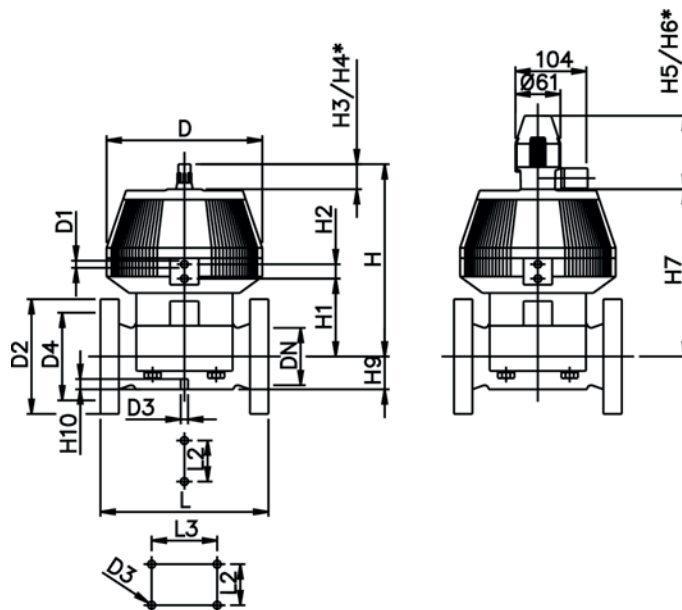
* With backing flanges PP-V

** Connecting dimensions DN80 and DN150 metric and Inch ANSI B16.5

Inch	DN [mm]	PN	kv-value ($\Delta p=1$ bar) [l/min]	PTFE/EPDM Code	kg
* 2 1/2	65	10	992	199 025 327	14.200
** 3	80	10	1700	199 025 358	18.948
4	100	6	2700	199 025 329	26.500

Inch	D [mm]	D1_G [inch]	D2 [mm]	D3[M] [mm]	D4 [mm]	L [mm]	L2 [mm]	H [mm]	H1 [mm]	H2 [mm]	H3 [mm]	H4 [mm]	H5 [mm]	H6 [mm]
* 2 1/2	280	1/4	185	8	145	290	70	344	148	24	46	100	129	195
** 3	280	1/4	200	12	160	310	120	348	150	24	46	100	129	195
4	335	1/4	225	12	180	350	120	395	176	24	46	100	129	195

Inch	H7 [mm]	H9 [mm]	H10 [mm]
* 2 1/2	298	46	15
** 3	302	57	15
4	349	69	20



PF 3 39 212 044



SYGEF Standard Diaphragm valve type DIASTAR 025 Function FO (Fail safe to open) With fixed flanges PVDF metric

Model:

- Material: PVDF
- Connecting dimensions: ISO 7005 / EN 1092 / DIN 2501 PN10 / BS4504
- With position indicator / Working pressure: on one side

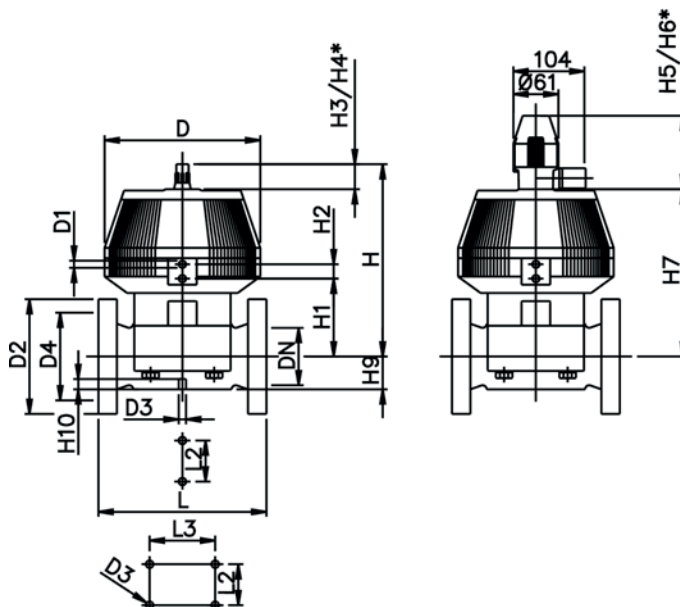
* With backing flanges PP-V

** Connecting dimensions DN80 and DN150 metric and Inch ANSI B16.5

d [mm]	DN [mm]	Inch	PN	kv-value ($\Delta p=1$ bar) [l/min]	PTFE/EPDM Code	kg
* 75	65	2 ½	10	992	199 025 367	13.600
** 90	80	3	10	1700	199 025 368	17.400
110	100	4	6	2700	199 025 369	24.700
** 160	150	6	6	6033	199 025 370	19.000

d [mm]	D [mm]	D1_G [inch]	D2 [mm]	D3[M] [mm]	D4 [mm]	L [mm]	L2 [mm]	L3 [mm]	H [mm]	H1 [mm]	H2 [mm]	H3 [mm]	H4 [mm]	H5 [mm]
* 75	280	¼	185	8	145	290	70		344	148	24	46	100	129
** 90	280	¼	200	12	160	310	120		348	150	24	46	100	129
110	335	¼	225	12	180	350	120		395	176	24	46	100	129
** 160	335	¼	285	12	240	480	100	200	455	237	24	46	100	129

d [mm]	H6 [mm]	H7 [mm]	H9 [mm]	H10 [mm]
* 75	195	298	46	15
** 90	195	302	57	15
110	195	349	69	20
** 160	195	409	108	20



PF 3 39 212 045



SYGEF Standard Diaphragm valve type DIASTAR 025 Function FO (Fail safe to open) With fixed flanges PVDF Inch ANSI

Model:

- Material: PVDF
- Overall length according to EN 558
- Connecting dimension: ANSI/ASME B 16.5 class 150, ASTM D 4024, BS 1560, BS EN 1759
- With position indicator / Working pressure: on one side

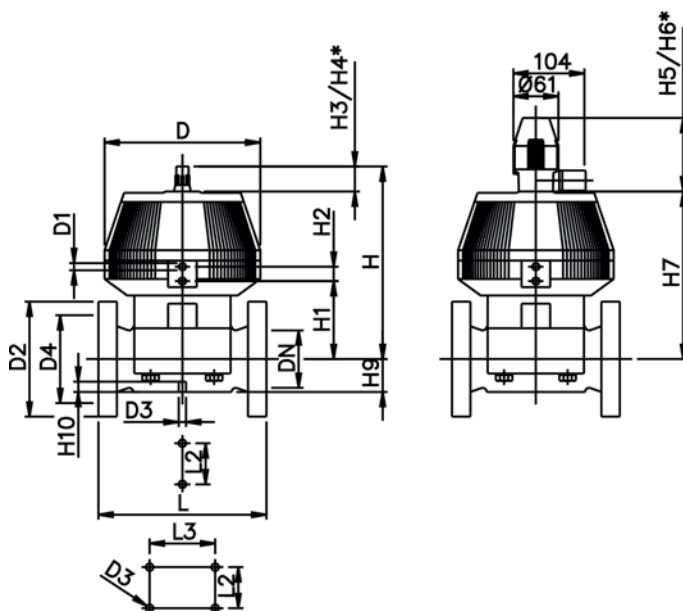
* With backing flanges PP-V

** Connecting dimensions DN80 and DN150 metric and Inch ANSI B16.5

Inch	DN [mm]	PN	kv-value ($\Delta p=1$ bar) [l/min]	PTFE/EPDM Code	kg
* 2 1/2	65	10	992	199 025 337	12.200
** 3	80	10	1700	199 025 368	17.400
4	100	6	2700	199 025 339	23.400
** 6	150	6	6033	199 025 370	19.000

Inch	D [mm]	D1_G [inch]	D2 [mm]	D3[M] [mm]	D4 [mm]	L [mm]	L2 [mm]	L3 [mm]	H [mm]	H1 [mm]	H2 [mm]	H3 [mm]	H4 [mm]	H5 [mm]
* 2 1/2	280	1/4	185	8	145	290	70		344	148	24	46	100	129
** 3	280	1/4	200	12	160	310	120		348	150	24	46	100	129
4	335	1/4	225	12	180	350	120		395	176	24	46	100	129
** 6	335	1/4	285	12	240	480	100	200	455	237	24	46	100	129

Inch	H6 [mm]	H7 [mm]	H9 [mm]	H10 [mm]
* 2 1/2	195	298	46	15
** 3	195	302	57	15
4	195	349	69	20
** 6	195	409	108	20



PF 3 39 212 045



SYGEF Standard Diaphragm valve type DIASTAR 025 Function DA (Double acting) With fixed flanges PVDF metric

Model:

- Material: PVDF
- Connecting dimensions: ISO 7005 / EN 1092 / DIN 2501 PN10 / BS4504
- With position indicator / Working pressure: on one side

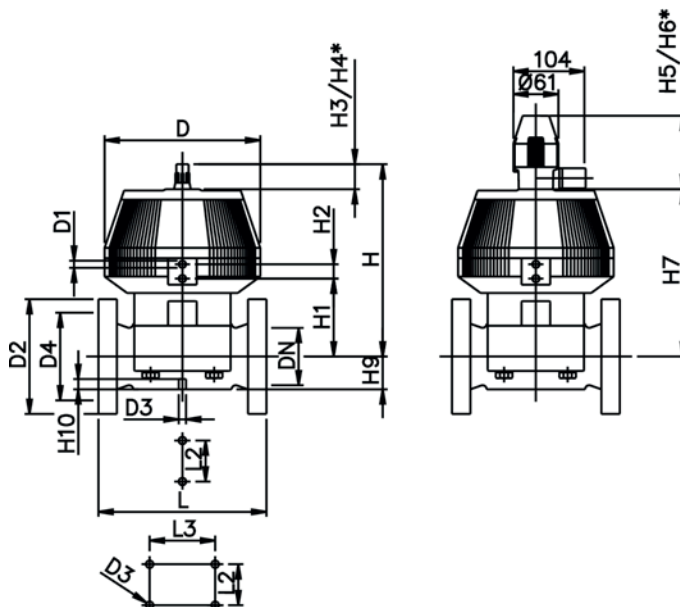
* With backing flanges PP-V

** Connecting dimensions DN80 and DN150 metric and Inch ANSI B16.5

d [mm]	DN [mm]	Inch	PN	kv-value ($\Delta p=1$ bar) [l/min]	PTFE/EPDM Code	kg
* 75	65	2 ½	10	992	199 025 377	13.600
** 90	80	3	10	1700	199 025 378	17.400
110	100	4	6	2700	199 025 379	25.534
** 160	150	6	6	6033	199 025 380	35.000

d [mm]	D [mm]	D1_G [inch]	D2 [mm]	D3[M] [mm]	D4 [mm]	L [mm]	L2 [mm]	L3 [mm]	H [mm]	H1 [mm]	H2 [mm]	H3 [mm]	H4 [mm]	H5 [mm]
* 75	280	¼	185	8	145	290	70		344	148	24	46	100	129
** 90	280	¼	200	12	160	310	120		348	150	24	46	100	129
110	335	¼	225	12	180	350	120		395	176	24	46	100	129
** 160	335	¼	285	12	240	480	100	200	455	237	24	46	100	129

d [mm]	H6 [mm]	H7 [mm]	H9 [mm]	H10 [mm]
* 75	195	298	46	15
** 90	195	302	57	15
110	195	349	69	20
** 160	195	409	108	20



PF 3 39 212 046



SYGEF Standard Diaphragm valve type DIASTAR 025 Function DA (Double acting) With fixed flanges PVDF Inch ANSI

Model:

- Material: PVDF
- Overall length according to EN 558
- Connecting dimension: ANSI/ASME B 16.5 class 150, ASTM D 4024, BS 1560, BS EN 1759
- With position indicator / Working pressure: on one side

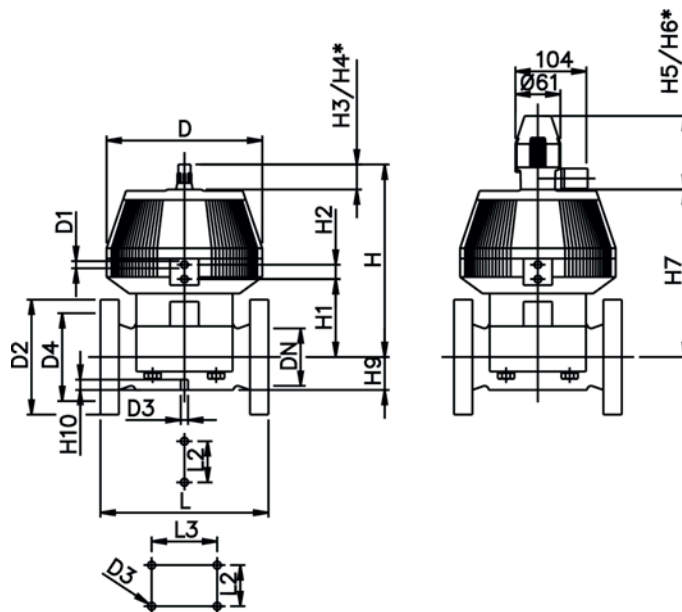
* With backing flanges PP-V

** Connecting dimensions DN80 and DN150 metric and Inch ANSI B16.5

Inch	DN [mm]	PN	kv-value ($\Delta p=1$ bar) [l/min]	PTFE/EPDM Code	kg
* 2 1/2	65	10	992	199 025 347	13.000
** 3	80	10	1700	199 025 378	17.400
4	100	6	2700	199 025 349	24.100
** 6	150	6	6033	199 025 380	35.000

Inch	D [mm]	D1_G [inch]	D2 [mm]	D3[M] [mm]	D4 [mm]	L [mm]	L2 [mm]	L3 [mm]	H [mm]	H1 [mm]	H2 [mm]	H3 [mm]	H4 [mm]	H5 [mm]
* 2 1/2	280	1/4	185	8	145	290	70		344	148	24	46	100	129
** 3	280	1/4	200	12	160	310	120		348	150	24	46	100	129
4	335	1/4	225	12	180	350	120		395	176	24	46	100	129
** 6	335	1/4	285	12	240	480	100	200	455	237	24	46	100	129

Inch	H6 [mm]	H7 [mm]	H9 [mm]	H10 [mm]
* 2 1/2	195	298	46	15
** 3	195	302	57	15
4	195	349	69	20
** 6	195	409	108	20



PF 3 39 212 046

Butterfly valves electric

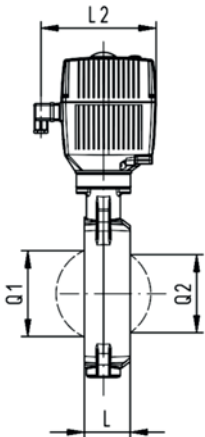
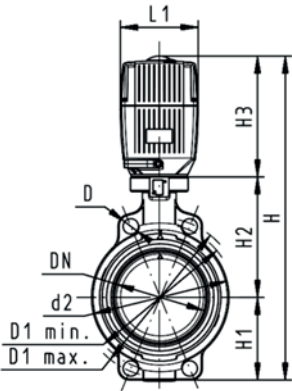
SYGEF Standard

Butterfly valve type 140 100-230V

Without manual override

Model:

- Material: PVDF
- Connecting dimension: ISO 7005 PN 10, EN 1092 PN 10, DIN 2501 PN 10, ANSI/ASME B 16.5 Class 150, BS 1560: 1989, BS 4504, JIS B 2220
- Overall length according to EN 558, ISO 5752
- Voltage 100-230 V, 50-60 Hz
- Control time 15 s/90°<) EA31
- Control time 25s/90°<) EA42
- Control range 90°<)
- Actuator with integrated emergency manual override standard



d [mm]	DN [mm]	Inch	PN	kv-value ($\Delta p=1$ bar) [l/min]	FPM Code	PTFE Code	kg
63	50	2	10	1470	199 140 582	199 140 642	4.218
75	65	2 ½	10	2200	199 140 583	199 140 643	4.330
90	80	3	10	3000	199 140 584	199 140 644	4.510
110	100	4	10	6500	199 140 585	199 140 645	5.162
140	125	5	10	11500	199 140 586	199 140 646	5.757
160	150	6	10	16600	199 140 587	199 140 647	6.977
225	200	8	10	39600	199 140 588	199 140 648	13.638
280	250	10	6	55200	199 140 589	199 140 649	16.169
315	300	12	4	80000	199 140 590	199 140 650	21.059

d [mm]	Actuator unit type	D [mm]	D1 min. [mm]	D1 max. [mm]	d2 [mm]	H [mm]	H1 [mm]	H2 [mm]	H3 [mm]	L [mm]	L1 [mm]	L2 [mm]	Q1 [mm]
63	EA-31	19	120.0	125.0	104	400	77	134	188	45	122	180	40
75	EA-31	19	139.7	145.0	115	413	83	140	188	46	122	180	54
90	EA-31	19	150.0	160.0	131	428	89	146	188	49	122	180	67
110	EA-31	19	175.0	190.5	161	460	104	167	188	56	122	180	88
140	EA-31	23	210.0	215.9	187	487	117	181	188	64	122	180	113
160	EA-31	24	241.3	241.3	215	508	130	189	188	72	122	180	139
225	EA-42	23	290.0	295.0	267	575	158	210	208	73	122	180	178
280	EA-42	25	353.0	362.0	329	677	205	264	208	113	122	180	210
315	EA-42	25	400.0	432.0	379	721	228	285	208	113	122	180	256

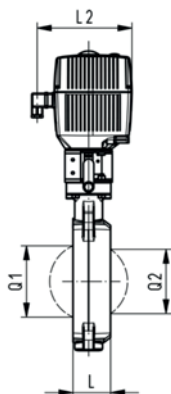
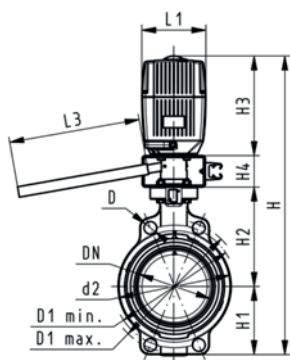
d [mm]	Q2 [mm]
63	
75	35
90	50
110	74
140	97
160	123
225	169
280	207
315	253

PF 3 39 643 039

SYGEF Standard Butterfly valve type 140 100-230V With manual override

Model:

- Material: PVDF
- Connecting dimension: ISO 7005 PN 10, EN 1092 PN 10, DIN 2501 PN 10, ANSI/ASME B 16.5 Class 150, BS 1560: 1989, BS 4504, JIS B 2220
- Overall length according to EN 558, ISO 5752
- Voltage 100-230 V, 50-60 Hz
- Control time 15 s/90°<) EA31
- Control time 25s/90°<) EA42
- Control range 90°<)
- Actuator with integrated emergency manual override standard



d [mm]	DN [mm]	Inch	PN	kv-value ($\Delta p=1$ bar) [l/min]	FPM Code	kg
63	50	2	10	1470	199 140 562	5.718
75	65	2 ½	10	2200	199 140 563	5.830
90	80	3	10	3000	199 140 564	6.010
110	100	4	10	6500	199 140 565	6.662
140	125	5	10	11500	199 140 566	7.257
160	150	6	10	16600	199 140 567	8.477
225	200	8	10	39600	199 140 568	15.138

d [mm]	Actuator unit type	D [mm]	D1 min. [mm]	D1 max. [mm]	d2 [mm]	H [mm]	H1 [mm]	H2 [mm]	H3 [mm]	H4 [mm]	L [mm]	L1 [mm]	L2 [mm]
63	EA-31	19	120.0	125.0	104	460	77	134	188	60	45	122	180
75	EA-31	19	139.7	145.0	115	473	83	140	188	60	46	122	180
90	EA-31	19	150.0	160.0	131	488	89	146	188	60	49	122	180
110	EA-31	19	175.0	190.5	161	520	104	167	188	60	56	122	180
140	EA-31	23	210.0	215.9	187	547	117	181	188	60	64	122	180
160	EA-31	24	241.3	241.3	215	568	130	189	188	60	72	122	180
225	EA-42	23	290.0	295.0	267	635	158	210	208	60	73	122	180

d [mm]	L3 [mm]	Q1 [mm]	Q2 [mm]
63	250	40	
75	250	54	35
90	250	67	50
110	250	88	74
140	250	113	97
160	250	139	123
225	250	178	169

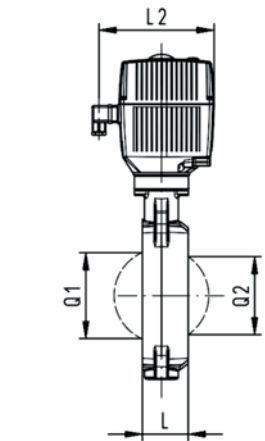
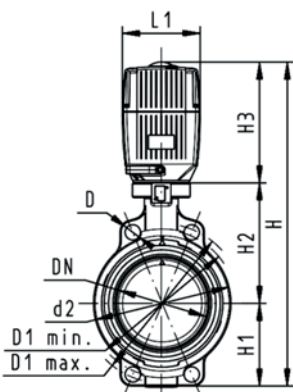
PF 3 39 643 039



SYGEF Standard Butterfly valve type 140 24V Without manual override

Model:

- Material: PVDF
- Connecting dimension: ISO 7005 PN 10, EN 1092 PN 10, DIN 2501 PN 10, ANSI/ ASME B 16.5 Class 150, BS 1560: 1989, BS 4504, JIS B 2220
- Overall length according to EN 558, ISO 5752
- Voltage 24 V AC/DC
- Control time 15 s/90°<) EA31
- Control time 25s/90°<) EA42
- Control range 90°<)
- Actuator with integrated emergency manual override standard



d [mm]	DN [mm]	Inch	PN	kv-value ($\Delta p=1$ bar) [l/min]	FPM Code	PTFE Code	kg
63	50	2	10	1470	199 140 622	199 140 662	4.218
75	65	2 1/2	10	2200	199 140 623	199 140 663	4.330
90	80	3	10	3000	199 140 624	199 140 664	4.510
110	100	4	10	6500	199 140 625	199 140 665	5.162
140	125	5	10	11500	199 140 626	199 140 666	5.757
160	150	6	10	16600	199 140 627	199 140 667	6.977
225	200	8	10	39600	199 140 628	199 140 668	13.638
280	250	10	6	55200	199 140 629	199 140 669	16.169
315	300	12	4	80000	199 140 630	199 140 670	21.059

d [mm]	Actuator unit type	D [mm]	D1 min. [mm]	D1 max. [mm]	d2 [mm]	H [mm]	H1 [mm]	H2 [mm]	H3 [mm]	L [mm]	L1 [mm]	L2 [mm]	Q1 [mm]
63	EA-31	19	120.0	125.0	104	400	77	134	188	45	122	180	40
75	EA-31	19	139.7	145.0	115	413	83	140	188	46	122	180	54
90	EA-31	19	150.0	160.0	131	428	89	146	188	49	122	180	67
110	EA-31	19	175.0	190.5	161	460	104	167	188	56	122	180	88
140	EA-31	23	210.0	215.9	187	487	117	181	188	64	122	180	113
160	EA-31	24	241.3	241.3	215	508	130	189	188	72	122	180	139
225	EA-42	23	290.0	295.0	267	575	158	210	208	73	122	180	178
280	EA-42	25	353.0	362.0	329	677	205	264	208	113	122	180	210
315	EA-42	25	400.0	432.0	379	721	228	285	208	113	122	180	256

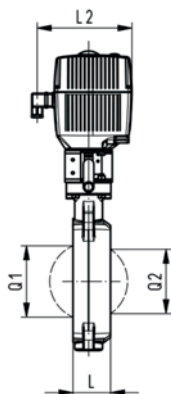
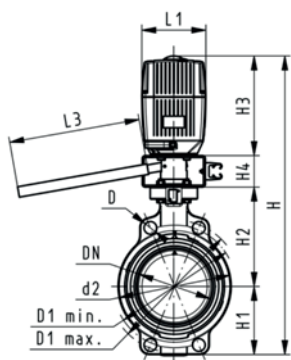
d [mm]	Q2 [mm]
63	
75	35
90	50
110	74
140	97
160	123
225	169
280	207
315	253

PF 3 39 643 039

SYGEF Standard Butterfly valve type 140 24V With manual override

Model:

- Material: PVDF
- Connecting dimension: ISO 7005 PN 10, EN 1092 PN 10, DIN 2501 PN 10, ANSI/ASME B 16.5 Class 150, BS 1560: 1989, BS 4504, JIS B 2220
- Overall length according to EN 558, ISO 5752
- Voltage 24 V AC/DC
- Control time 15 s/90°<) EA31
- Control time 25s/90°<) EA42
- Control range 90°<)
- Actuator with integrated emergency manual override standard



d [mm]	DN [mm]	Inch	PN	kv-value ($\Delta p=1$ bar) [l/min]	FPM Code	kg
63	50	2	10	1470	199 140 602	5.718
75	65	2 ½	10	2200	199 140 603	5.830
90	80	3	10	3000	199 140 604	6.010
110	100	4	10	6500	199 140 605	6.662
140	125	5	10	11500	199 140 606	7.257
160	150	6	10	16600	199 140 607	8.477
225	200	8	10	39600	199 140 608	15.138

d [mm]	Actuator unit type	D [mm]	D1 min. [mm]	D1 max. [mm]	d2 [mm]	H [mm]	H1 [mm]	H2 [mm]	H3 [mm]	H4 [mm]	L [mm]	L1 [mm]	L2 [mm]
63	EA-31	19	120.0	125.0	104	460	77	134	188	60	45	122	180
75	EA-31	19	139.7	145.0	115	473	83	140	188	60	46	122	180
90	EA-31	19	150.0	160.0	131	488	89	146	188	60	49	122	180
110	EA-31	19	175.0	190.5	161	520	104	167	188	60	56	122	180
140	EA-31	23	210.0	215.9	187	547	117	181	188	60	64	122	180
160	EA-31	24	241.3	241.3	215	568	130	189	188	60	72	122	180
225	EA-42	23	290.0	295.0	267	635	158	210	208	60	73	122	180

d [mm]	L3 [mm]	Q1 [mm]	Q2 [mm]
63	250	40	
75	250	54	35
90	250	67	50
110	250	88	74
140	250	113	97
160	250	139	123
225	250	178	169

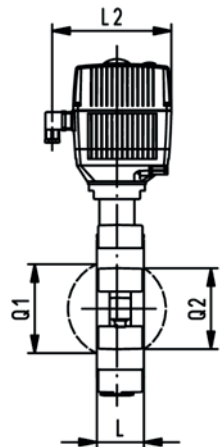
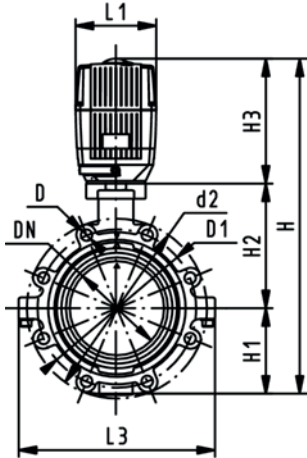
PF 3 39 643 039



SYGEF Standard Lugstyle butterfly valve type 141 100-230V Without manual override

Model:

- Material: PVDF
- Outer body in GGG-40.3 epoxy-coated
- Connecting dimension: ISO 7005 PN10, EN 1092 PN10, DIN 2501 PN10
- Overall length according to EN 558, ISO 5752
- Voltage 100-230 V, 50-60 Hz
- Control time 15 s/90°<) EA31
- Control time 25s/90°<) EA42
- Control range 90°<)
- Actuator with integrated emergency manual override standard



d [mm]	DN [mm]	Inch	PN	kv-value ($\Delta p=1$ bar) [l/min]	FPM Code	PTFE Code	kg
63	50	2	10	1470	199 141 582	199 141 642	6.308
75	65	2 ½	10	2200	199 141 583	199 141 643	6.671
90	80	3	10	3000	199 141 584	199 141 644	7.728
110	100	4	10	6500	199 141 585	199 141 645	9.260
140	125	5	10	11500	199 141 586	199 141 646	11.241
160	150	6	10	16600	199 141 587	199 141 647	13.460
225	200	8	10	39600	199 141 588	199 141 648	23.614

d [mm]	Actuator unit type	D	D1 [mm]	d2 [mm]	H [mm]	H1 [mm]	H2 [mm]	H3 [mm]	L [mm]	L1 [mm]	L2 [mm]	L3 [mm]	Q1 [mm]
63	EA-31	M16	125	150	399	77	134	188	45	122	180	150	40
75	EA-31	M16	145	170	411	83	140	188	46	122	180	160	54
90	EA-31	M16	160	184	423	89	146	188	49	122	180	205	67
110	EA-31	M16	180	216	459	104	167	188	56	122	180	244	88
140	EA-31	M16	210	246	486	117	181	188	64	122	180	272	113
160	EA-31	M20	240	273	507	130	189	188	72	122	180	297	139
225	EA-42	M20	295	334	576	158	210	208	73	122	180	360	178

d [mm]	Q2 [mm]
63	
75	35
90	50
110	74
140	97
160	123
225	169

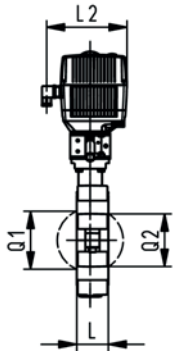
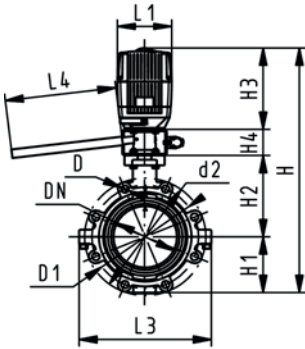
PF 3 39 643 040



SYGEF Standard Lugstyle butterfly valve type 141 100-230V With manual override

Model:

- Material: PVDF
- Outer body in GGG-40.3 epoxy-coated
- Connecting dimension: ISO 7005 PN10, EN 1092 PN10, DIN 2501 PN10
- Overall length according to EN 558, ISO 5752
- Voltage 100-230 V, 50-60 Hz
- Control time 15 s/90°<) EA31
- Control time 25s/90°<) EA42
- Control range 90°<)
- Actuator with integrated emergency manual override standard



d [mm]	DN [mm]	Inch	PN	kv-value ($\Delta p=1$ bar) [l/min]	FPM Code	kg
63	50	2	10	1470	199 141 562	7.808
75	65	2 ½	10	2200	199 141 563	8.171
90	80	3	10	3000	199 141 564	9.228
110	100	4	10	6500	199 141 565	10.760
140	125	5	10	11500	199 141 566	12.741
160	150	6	10	16600	199 141 567	14.960
225	200	8	10	39600	199 141 568	25.114

d [mm]	Actuator unit type	D	D1 [mm]	d2 [mm]	H [mm]	H1 [mm]	H2 [mm]	H3 [mm]	H4 [mm]	L [mm]	L1 [mm]	L2 [mm]	L3 [mm]
63	EA-31	M16	125	150	459	77	134	188	60	45	122	180	150
75	EA-31	M16	145	170	471	83	140	188	60	46	122	180	160
90	EA-31	M16	160	184	483	89	146	188	60	49	122	180	205
110	EA-31	M16	180	216	519	104	167	188	60	56	122	180	244
140	EA-31	M16	210	246	546	117	181	188	60	64	122	180	272
160	EA-31	M20	240	273	567	130	189	188	60	72	122	180	297
225	EA-42	M20	295	334	636	158	210	208	60	73	122	180	360

d [mm]	L4 [mm]	Q1 [mm]	Q2 [mm]
63	200	40	
75	200	54	35
90	200	67	50
110	250	88	74
140	250	113	97
160	250	139	123
225	250	178	169

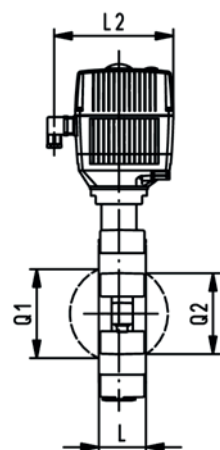
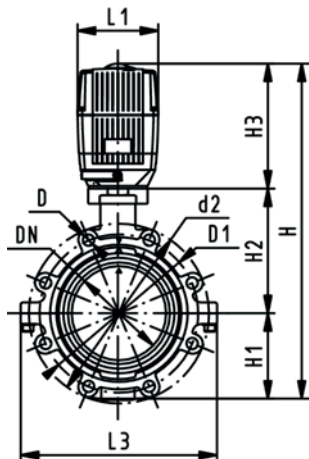
PF 3 39 643 040



SYGEF Standard Lugstyle butterfly valve type 141 24V Without manual override

Model:

- Material: PVDF
- Outer body in GGG-40.3 epoxy-coated
- Connecting dimension: ISO 7005 PN10, EN 1092 PN10, DIN 2501 PN10
- Overall length according to EN 558, ISO 5752
- Voltage 24 V AC/DC
- Control time 15 s/90°<) EA31
- Control time 25s/90°<) EA42
- Control range 90°<)
- Actuator with integrated emergency manual override standard



d [mm]	DN [mm]	Inch	PN	kv-value ($\Delta p=1$ bar) [l/min]	FPM Code	PTFE Code	kg
63	50	2	10	1470	199 141 622	199 141 662	6.308
75	65	2 ½	10	2200	199 141 623	199 141 663	6.671
90	80	3	10	3000	199 141 624	199 141 664	7.728
110	100	4	10	6500	199 141 625	199 141 665	9.260
140	125	5	10	11500	199 141 626	199 141 666	11.241
160	150	6	10	16600	199 141 627	199 141 667	13.460
225	200	8	10	39600	199 141 628	199 141 668	23.614

d [mm]	Actuator unit type	D	D1 [mm]	d2 [mm]	H [mm]	H1 [mm]	H2 [mm]	H3 [mm]	L [mm]	L1 [mm]	L2 [mm]	L3 [mm]	Q1 [mm]
63	EA-31	M16	125	150	399	77	134	188	45	122	180	150	40
75	EA-31	M16	145	170	411	83	140	188	46	122	180	160	54
90	EA-31	M16	160	184	423	89	146	188	49	122	180	205	67
110	EA-31	M16	180	216	459	104	167	188	56	122	180	244	88
140	EA-31	M16	210	246	486	117	181	188	64	122	180	272	113
160	EA-31	M20	240	273	507	130	189	188	72	122	180	297	139
225	EA-42	M20	295	334	576	158	210	208	73	122	180	360	178

d [mm]	Q2 [mm]
63	
75	35
90	50
110	74
140	97
160	123
225	169

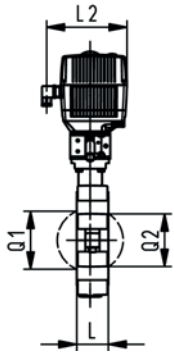
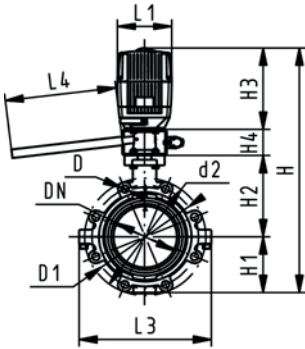
PF 3 39 643 040



SYGEF Standard Lugstyle butterfly valve type 141 24V With manual override

Model:

- Material: PVDF
- Outer body in GGG-40.3 epoxy-coated
- Connecting dimension: ISO 7005 PN10, EN 1092 PN10, DIN 2501 PN10
- Overall length according to EN 558, ISO 5752
- Voltage 24 V AC/DC
- Control time 15 s/90°<) EA31
- Control time 25s/90°<) EA42
- Control range 90°<)
- Actuator with integrated emergency manual override standard



d [mm]	DN [mm]	Inch	PN	kv-value ($\Delta p=1$ bar) [l/min]	FPM Code	kg
63	50	2	10	1470	199 141 602	7.808
75	65	2 ½	10	2200	199 141 603	8.171
90	80	3	10	3000	199 141 604	9.228
110	100	4	10	6500	199 141 605	10.760
140	125	5	10	11500	199 141 606	12.741
160	150	6	10	16600	199 141 607	14.960
225	200	8	10	39600	199 141 608	25.114

d [mm]	Actuator unit type	D	D1 [mm]	d2 [mm]	H [mm]	H1 [mm]	H2 [mm]	H3 [mm]	H4 [mm]	L [mm]	L1 [mm]	L2 [mm]	L3 [mm]
63	EA-31	M16	125	150	459	77	134	188	60	45	122	180	150
75	EA-31	M16	145	170	471	83	140	188	60	46	122	180	160
90	EA-31	M16	160	184	483	89	146	188	60	49	122	180	205
110	EA-31	M16	180	216	519	104	167	188	60	56	122	180	244
140	EA-31	M16	210	246	546	117	181	188	60	64	122	180	272
160	EA-31	M20	240	273	567	130	189	188	60	72	122	180	297
225	EA-42	M20	295	334	636	158	210	208	60	73	122	180	360

d [mm]	L4 [mm]	Q1 [mm]	Q2 [mm]
63	200	40	
75	200	54	35
90	200	67	50
110	250	88	74
140	250	113	97
160	250	139	123
225	250	178	169

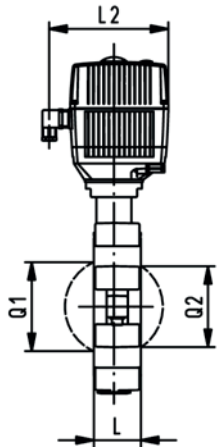
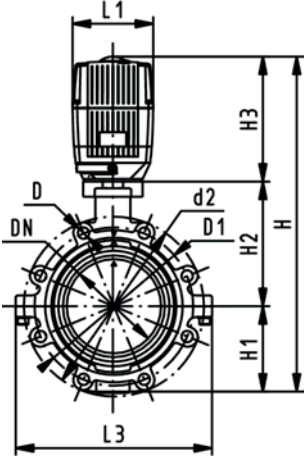
PF 3 39 643 040



SYGEF Standard Lugstyle butterfly valve type 142 100-230V ANSI Without manual override

Model:

- Material: PVDF
- Outer body in GGG-40.3 epoxy-coated
- Connecting dimension ANSI/ASME B 16.5 Class 150
- Overall length according to EN 558, ISO 5752
- Voltage 100-230 V, 50-60 Hz
- Control time 15 s/90°<) EA31
- Control time 25s/90°<) EA42
- Control range 90°<)
- Actuator with integrated emergency manual override standard



PF 3 39 643 040

Inch	DN [mm]	d [mm]	PN	kv-value ($\Delta p=1$ bar) [l/min]	FPM Code	PTFE Code	kg
2	50	63	10	1470	199 142 582	199 142 642	6.308
2 ½	65	75	10	2200	199 142 583	199 142 643	6.671
3	80	90	10	3000	199 142 584	199 142 644	7.099
4	100	110	10	6500	199 142 585	199 142 645	9.260
5	125	140	10	11500	199 142 586	199 142 646	11.241
6	150	160	10	16600	199 142 587	199 142 647	13.460
8	200	225	10	39600	199 142 588	199 142 648	23.614

Inch	Actuator unit type	D	D1 [mm]	d2 [mm]	H [mm]	H1 [mm]	H2 [mm]	H3 [mm]	L [mm]	L1 [mm]	L2 [mm]	L3 [mm]
2	EA-31	UNC 5/8	121	150	399	77	134	188	45	122	180	150
2 ½	EA-31	UNC 5/8	140	170	411	83	140	188	46	122	180	160
3	EA-31	UNC 5/8	153	177	423	89	146	188	49	122	180	175
4	EA-31	UNC 5/8	191	216	459	104	167	188	56	122	180	244
5	EA-31	UNC 3/4	216	246	486	117	181	188	64	122	180	272
6	EA-31	UNC 3/4	242	273	507	130	189	188	72	122	180	297
8	EA-42	UNC 3/4	299	334	576	158	210	208	73	122	180	360

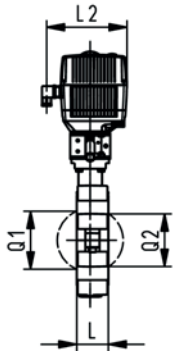
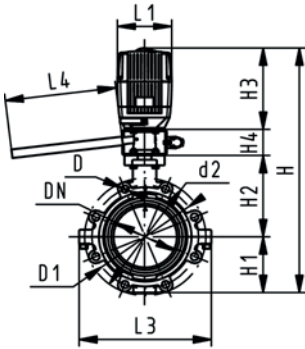
Inch	Q1 [mm]	Q2 [mm]
2	40	
2 ½	54	35
3	67	50
4	88	74
5	113	97
6	139	123
8	178	169



SYGEF Standard Lugstyle butterfly valve type 142 100-230V ANSI With manual override

Model:

- Material: PVDF
- Outer body in GGG-40.3 epoxy-coated
- Connecting dimension ANSI/ASME B 16.5 Class 150
- Overall length according to EN 558, ISO 5752
- Voltage 100-230 V, 50-60 Hz
- Control time 15 s/90°<) EA31
- Control time 25s/90°<) EA42
- Control range 90°<)
- Actuator with integrated emergency manual override standard



Inch	DN [mm]	d [mm]	PN	kv-value ($\Delta p=1$ bar) [l/min]	FPM Code	kg
2	50	63	10	1470	199 142 562	7.808
2 ½	65	75	10	2200	199 142 563	8.171
3	80	90	10	3000	199 142 564	8.599
4	100	110	10	6500	199 142 565	10.760
5	125	140	10	11500	199 142 566	12.741
6	150	160	10	16600	199 142 567	14.960
8	200	225	10	39600	199 142 568	25.114

Inch	Actuator unit type	D	D1 [mm]	d2 [mm]	H [mm]	H1 [mm]	H2 [mm]	H3 [mm]	H4 [mm]	L [mm]	L1 [mm]	L2 [mm]	L3 [mm]
2	EA-31	UNC 5/8	121	150	459	77	134	188	60	45	122	180	150
2 ½	EA-31	UNC 5/8	140	170	471	83	140	188	60	46	122	180	160
3	EA-31	UNC 5/8	153	177	483	89	146	188	60	49	122	180	175
4	EA-31	UNC 5/8	191	216	519	104	167	188	60	56	122	180	244
5	EA-31	UNC 3/4	216	246	546	117	181	188	60	64	122	180	272
6	EA-31	UNC 3/4	242	273	567	130	189	188	60	72	122	180	297
8	EA-42	UNC 3/4	299	334	636	158	210	208	60	73	122	180	360

Inch	L4 [mm]	Q1 [mm]	Q2 [mm]
2	200	40	
2 ½	200	54	35
3	200	67	50
4	250	88	74
5	250	113	97
6	250	139	123
8	250	178	169

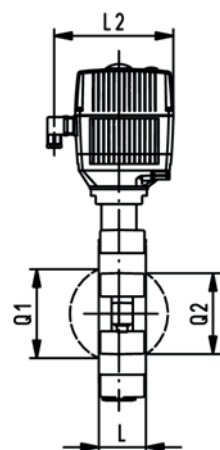
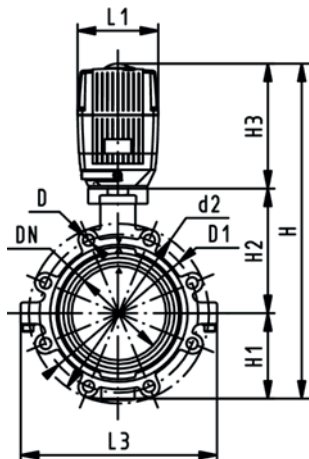
PF 3 39 643 040



SYGEF Standard Lugstyle butterfly valve type 142 24V ANSI Without manual override

Model:

- Material: PVDF
- Outer body in GGG-40.3 epoxy-coated
- Connecting dimension ANSI/ASME B 16.5 Class 150
- Overall length according to EN 558, ISO 5752
- Voltage 24 V AC/DC
- Control time 15 s/90°<) EA31
- Control time 25s/90°<) EA42
- Control range 90°<)
- Actuator with integrated emergency manual override standard



Inch	DN [mm]	d [mm]	PN	kv-value ($\Delta p=1$ bar) [l/min]	FPM Code	PTFE Code	kg
2	50	63	10	1470	199 142 622	199 142 662	6.308
2 ½	65	75	10	2200	199 142 623	199 142 663	6.671
3	80	90	10	3000	199 142 624	199 142 664	7.099
4	100	110	10	6500	199 142 625	199 142 665	9.260
5	125	140	10	11500	199 142 626	199 142 666	11.241
6	150	160	10	16600	199 142 627	199 142 667	13.460
8	200	225	10	39600	199 142 628	199 142 668	23.614

Inch	Actuator unit type	D	D1 [mm]	d2 [mm]	H [mm]	H1 [mm]	H2 [mm]	H3 [mm]	L [mm]	L1 [mm]	L2 [mm]	L3 [mm]
2	EA-31	UNC 5/8	121	150	399	77	134	188	45	122	180	150
2 ½	EA-31	UNC 5/8	140	170	411	83	140	188	46	122	180	160
3	EA-31	UNC 5/8	153	177	423	89	146	188	49	122	180	175
4	EA-31	UNC 5/8	191	216	459	104	167	188	56	122	180	244
5	EA-31	UNC 3/4	216	246	486	117	181	188	64	122	180	272
6	EA-31	UNC 3/4	242	273	507	130	189	188	72	122	180	297
8	EA-42	UNC 3/4	299	334	576	158	210	208	73	122	180	360

Inch	Q1 [mm]	Q2 [mm]
2	40	
2 ½	54	35
3	67	50
4	88	74
5	113	97
6	139	123
8	178	169

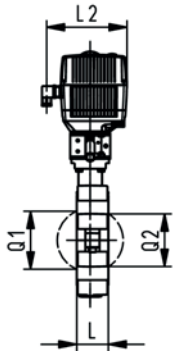
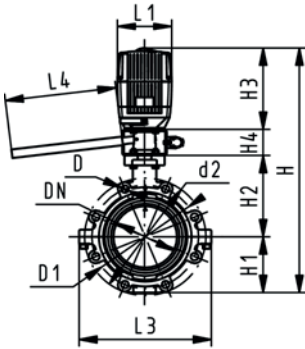
PF 3 39 643 040



SYGEF Standard Lugstyle butterfly valve type 142 24V ANSI With manual override

Model:

- Material: PVDF
- Outer body in GGG-40.3 epoxy-coated
- Connecting dimension ANSI/ASME B 16.5 Class 150
- Overall length according to EN 558, ISO 5752
- Voltage 24 V AC/DC
- Control time 15 s/90°<) EA31
- Control time 25s/90°<) EA42
- Control range 90°<)
- Actuator with integrated emergency manual override standard



Inch	DN [mm]	d [mm]	PN	kv-value ($\Delta p=1$ bar) [l/min]	FPM Code	kg
2	50	63	10	1470	199 142 602	7.808
2 ½	65	75	10	2200	199 142 603	8.171
3	80	90	10	3000	199 142 604	8.599
4	100	110	10	6500	199 142 605	10.760
5	125	140	10	11500	199 142 606	12.741
6	150	160	10	16600	199 142 607	14.960
8	200	225	10	39600	199 142 608	25.114

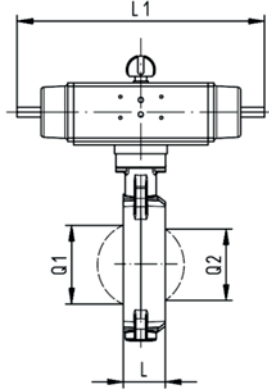
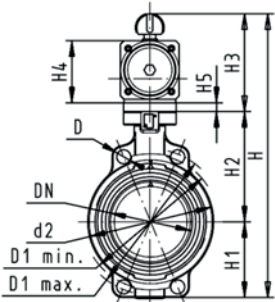
Inch	Actuator unit type	D	D1 [mm]	d2 [mm]	H [mm]	H1 [mm]	H2 [mm]	H3 [mm]	H4 [mm]	L [mm]	L1 [mm]	L2 [mm]	L3 [mm]
2	EA-31	UNC 5/8	121	150	459	77	134	188	60	45	122	180	150
2 ½	EA-31	UNC 5/8	140	170	471	83	140	188	60	46	122	180	160
3	EA-31	UNC 5/8	153	177	483	89	146	188	60	49	122	180	175
4	EA-31	UNC 5/8	191	216	519	104	167	188	60	56	122	180	244
5	EA-31	UNC 3/4	216	246	546	117	181	188	60	64	122	180	272
6	EA-31	UNC 3/4	242	273	567	130	189	188	60	72	122	180	297
8	EA-42	UNC 3/4	299	334	636	158	210	208	60	73	122	180	360

Inch	L4 [mm]	Q1 [mm]	Q2 [mm]
2	200	40	
2 ½	200	54	35
3	200	67	50
4	250	88	74
5	250	113	97
6	250	139	123
8	250	178	169

PF 3 39 643 040

Butterfly valves pneumatic

SYGEF Standard Butterfly valve type 240 FC (Fail safe to close) Without manual override



Model:

- Material: PVDF
- Connecting dimension: ISO 7005 PN 10, EN 1092 PN 10, DIN 2501 PN 10, ANSI/ASME B 16.5 Class 150, BS 1560: 1989, BS 4504, JIS B 2220
- Overall length according to EN 558, ISO 5752
- Control range 90°<

d [mm]	DN [mm]	Inch	PN	kv-value ($\Delta p=1$ bar) [l/min]	FPM Code	PTFE Code	kg
63	50	2	10	1470	199 240 462	199 240 522	3.258
75	65	2 ½	10	2200	199 240 463	199 240 523	3.370
90	80	3	10	3000	199 240 464	199 240 524	3.550
110	100	4	10	6500	199 240 465	199 240 525	5.400
140	125	5	10	11500	199 240 466	199 240 526	6.997
160	150	6	10	16600	199 240 467	199 240 527	10.538
225	200	8	10	39600	199 240 468	199 240 528	15.138
280	250	10	10	55200	199 240 469	199 240 529	32.529
315	300	12	10	80000	199 240 470	199 240 530	38.156

d [mm]	Actuator unit type	D [mm]	D1 min. [mm]	D1 max. [mm]	d2 [mm]	H [mm]	H1 [mm]	H2 [mm]	H3 [mm]	H4 [mm]	H5 [mm]	L [mm]	L1 [mm]
63	PA-30 FC	19	120.0	125.0	104	327	77	134	117	70	15	45	276
75	PA-30 FC	19	139.7	145.0	115	340	83	140	117	70	15	46	276
90	PA-35 FC	19	150.0	160.0	131	361	89	146	126	78	15	49	326
110	PA-40 FC	19	175.0	190.5	161	400	104	167	129	86		56	370
140	PA-45 FC	23	210.0	215.9	187	436	117	181	139	96		64	411
160	PA-50 FC	24	241.3	241.3	215	468	130	189	149	106		72	423
225	PA-55 FC	23	290.0	295.0	267	529	158	210	161	118		73	452
280	PA-65 FC	25	353.0	362.0	329	808	205	264	191	148		113	648
315	PA-70 FC	25	400.0	432.0	379	866	228	285	196	157		113	663

d [mm]	L2 [mm]	Q1 [mm]	Q2 [mm]
63	65	40	
75	65	54	35
90	72	67	50
110	80	88	74
140	90	113	97
160	100	139	123
225	112	178	169
280	137	210	207
315	145	256	253

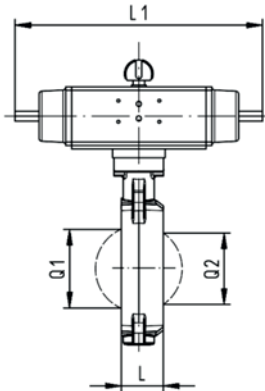
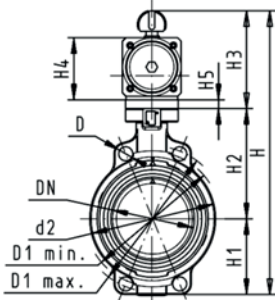
PF 3 39 769 001



SYGEF Standard Butterfly valve type 240 FO (Fail safe to open) Without manual override

Model:

- Material: PVDF
- Connecting dimension: ISO 7005 PN 10, EN 1092 PN 10, DIN 2501 PN 10, ANSI/ASME B 16.5 Class 150, BS 1560: 1989, BS 4504, JIS B 2220
- Overall length according to EN 558, ISO 5752
- Control range 90°<



d [mm]	DN [mm]	Inch	PN	kv-value ($\Delta p=1$ bar) [l/min]	FPM Code	PTFE Code	kg
63	50	2	10	1470	199 240 482	199 240 542	3.258
75	65	2 ½	10	2200	199 240 483	199 240 543	3.370
90	80	3	10	3000	199 240 484	199 240 544	3.550
110	100	4	10	6500	199 240 485	199 240 545	5.400
140	125	5	10	11500	199 240 486	199 240 546	6.997
160	150	6	10	16600	199 240 487	199 240 547	10.538
225	200	8	10	39600	199 240 488	199 240 548	15.000
280	250	10	10	55200	199 240 489	199 240 549	32.529
315	300	12	10	80000	199 240 490	199 240 550	37.419

d [mm]	Actuator unit type	D [mm]	D1 min. [mm]	D1 max. [mm]	d2 [mm]	H [mm]	H1 [mm]	H2 [mm]	H3 [mm]	H4 [mm]	H5 [mm]	L [mm]	L1 [mm]
63	PA-30 FO	19	120.0	125.0	104	327	77	134	117	70	15	45	276
75	PA-30 FO	19	139.7	145.0	115	340	83	140	117	70	15	46	276
90	PA-35 FO	19	150.0	160.0	131	361	89	146	126	78	15	49	326
110	PA-40 FO	19	175.0	190.5	161	400	104	167	129	86		56	370
140	PA-45 FO	23	210.0	215.9	187	436	117	181	139	96		64	411
160	PA-50 FO	24	241.3	241.3	215	468	130	189	149	106		72	423
225	PA-55 FO	23	290.0	295.0	267	529	158	210	161	118		73	452
280	PA-70 FO	25	353.0	362.0	329	808	205	264	191	148		113	648
315	PA-70 FO	25	400.0	432.0	379	866	228	285	196	157		113	663

d [mm]	L2 [mm]	Q1 [mm]	Q2 [mm]
63	65	40	
75	65	54	35
90	72	67	50
110	80	88	74
140	90	113	97
160	100	139	123
225	112	178	169
280	137	210	207
315	145	256	253

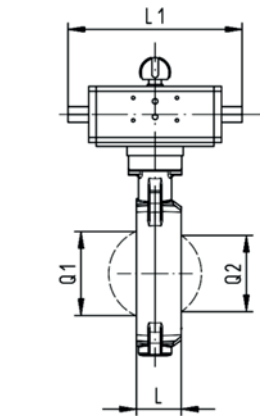
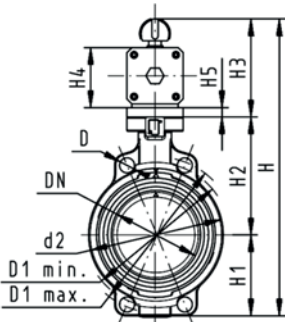
PF 3 39 769 001



SYGEF Standard Butterfly valve type 240 DA (Double acting) Without manual override

Model:

- Material: PVDF
- Connecting dimension: ISO 7005 PN 10, EN 1092 PN 10, DIN 2501 PN 10, ANSI/ASME B 16.5 Class 150, BS 1560: 1989, BS 4504, JIS B 2220
- Overall length according to EN 558, ISO 5752
- Control range 90°<



d [mm]	DN [mm]	Inch	PN	kv-value ($\Delta p=1$ bar) [l/min]	FPM Code	PTFE Code	kg
63	50	2	10	1470	199 240 502	199 240 562	2.108
75	65	2 1/2	10	2200	199 240 503	199 240 563	2.220
90	80	3	10	3000	199 240 504	199 240 564	2.881
110	100	4	10	6500	199 240 505	199 240 565	3.652
140	125	5	10	11500	199 240 506	199 240 566	4.247
160	150	6	10	16600	199 240 507	199 240 567	7.017
225	200	8	10	39600	199 240 508	199 240 568	9.138
280	250	10	10	55200	199 240 509	199 240 569	20.233
315	300	12	10	80000	199 240 510	199 240 570	28.223

d [mm]	Actuator unit type	D [mm]	D1 min. [mm]	D1 max. [mm]	d2 [mm]	H [mm]	H1 [mm]	H2 [mm]	H3 [mm]	H4 [mm]	H5 [mm]	L [mm]	L1 [mm]
63	PA-35 DA	19	120.0	125.0	104	317	77	134	107	60	15	45	177
75	PA-35 DA	19	139.7	145.0	115	330	83	140	107	60	15	46	177
90	PA-40 DA	19	150.0	160.0	131	348	89	146	113	66	15	49	190
110	PA-45 DA	19	175.0	190.5	161	372	104	167	102	71		56	235
140	PA-45 DA	23	210.0	215.9	187	408	117	181	111	78		64	235
160	PA-55 DA	24	241.3	241.3	215	448	130	189	129	86		72	279
225	PA-55 DA	23	290.0	295.0	267	507	158	210	139	96		73	279
280	PA-65 DA	25	353.0	362.0	329	748	205	264	161	118		113	350
315	PA-70 DA	25	400.0	432.0	379	816	228	285	173	130		113	381

d [mm]	L2 [mm]	Q1 [mm]	Q2 [mm]
63	55	40	
75	55	54	35
90	60	67	50
110	65	88	74
140	72	113	97
160	80	139	123
225	90	178	169
280	112	210	207
315	125	256	253

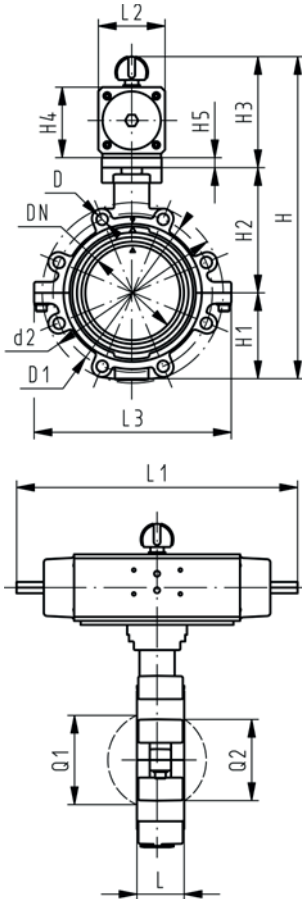
PF 3 39 769 001



SYGEF Standard Lugstyle butterfly valve type 241 FC (Fail safe to close) Without manual override

Model:

- Material: PVDF
- Outer body in GGG-40.3 epoxy-coated
- Connecting dimension: ISO 7005 PN10, EN 1092 PN10, DIN 2501 PN10
- Overall length according to EN 558, ISO 5752
- Control range 90°<



d [mm]	DN [mm]	Inch	PN	kv-value ($\Delta p=1$ bar) [l/min]	FPM Code	PTFE Code	kg
63	50	2	10	1470	199 241 462	199 241 522	5.348
75	65	2 ½	10	2200	199 241 463	199 241 523	5.711
90	80	3	10	3000	199 241 464	199 241 524	6.768
110	100	4	10	6500	199 241 465	199 241 525	9.498
140	125	5	10	11500	199 241 466	199 241 526	12.481
160	150	6	10	16600	199 241 467	199 241 527	17.021
225	200	8	10	39600	199 241 468	199 241 528	25.114

d [mm]	Actuator unit type	D	D1 [mm]	d2 [mm]	H [mm]	H1 [mm]	H2 [mm]	H3 [mm]	H4 [mm]	H5 [mm]	L [mm]	L1 [mm]	L2 [mm]
63	PA-30 FC	M16	125	150	328	77	134	117	70	15	45	276	65
75	PA-30 FC	M16	145	170	340	83	140	117	70	15	46	276	65
90	PA-35 FC	M16	160	184	361	89	146	126	78	15	49	326	72
110	PA-40 FC	M16	180	216	400	104	167	129	86		56	370	80
140	PA-45 FC	M16	210	246	437	117	181	139	96		64	411	90
160	PA-50 FC	M20	240	273	468	130	189	149	106		72	423	100
225	PA-55 FC	M20	295	334	529	158	210	161	118		73	452	112

d [mm]	L3 [mm]	Q1 [mm]	Q2 [mm]
63	150	40	
75	160	54	35
90	205	67	50
110	244	88	74
140	272	113	97
160	297	139	123
225	360	178	169

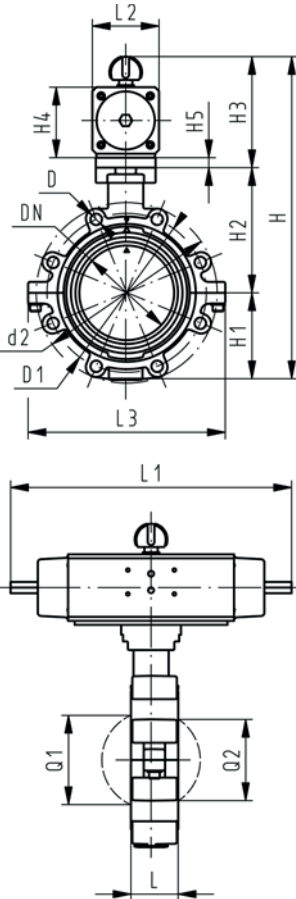
PF 3 39 769 002



SYGEF Standard Lugstyle butterfly valve type 241 FO (Fail safe to open) Without manual override

Model:

- Material: PVDF
- Outer body in GGG-40.3 epoxy-coated
- Connecting dimension: ISO 7005 PN10, EN 1092 PN10, DIN 2501 PN10
- Overall length according to EN 558, ISO 5752
- Control range 90°<



d [mm]	DN [mm]	Inch	PN	kv-value ($\Delta p=1$ bar) [l/min]	FPM Code	PTFE Code	kg
63	50	2	10	1470	199 241 482	199 241 542	5.348
75	65	2 1/2	10	2200	199 241 483	199 241 543	5.711
90	80	3	10	3000	199 241 484	199 241 544	6.768
110	100	4	10	6500	199 241 485	199 241 545	9.498
140	125	5	10	11500	199 241 486	199 241 546	12.481
160	150	6	10	16600	199 241 487	199 241 547	17.021
225	200	8	10	39600	199 241 488	199 241 548	25.114

d [mm]	Actuator unit type	D	D1 [mm]	d2 [mm]	H [mm]	H1 [mm]	H2 [mm]	H3 [mm]	H4 [mm]	H5 [mm]	L [mm]	L1 [mm]	L2 [mm]
63	PA-30 FO	M16	125	150	328	77	134	117	70	15	45	276	65
75	PA-30 FO	M16	145	170	340	83	140	117	70	15	46	276	65
90	PA-35 FO	M16	160	184	361	89	146	126	78	15	49	326	72
110	PA-40 FO	M16	180	216	400	104	167	129	86		56	370	80
140	PA-45 FO	M16	210	246	437	117	181	139	96		64	411	90
160	PA-50 FO	M20	240	273	468	130	189	149	106		72	423	100
225	PA-55 FO	M20	295	334	529	158	210	161	118		73	452	112

d [mm]	L3 [mm]	Q1 [mm]	Q2 [mm]
63	150	40	
75	160	54	35
90	205	67	50
110	244	88	74
140	272	113	97
160	297	139	123
225	360	178	169

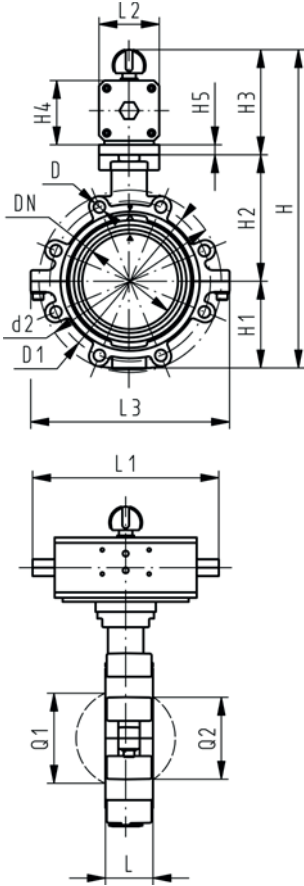
PF 3 39 769 002



SYGEF Standard Lugstyle butterfly valve type 241 DA (Double acting) Without manual override

Model:

- Material: PVDF
- Outer body in GGG-40.3 epoxy-coated
- Connecting dimension: ISO 7005 PN10, EN 1092 PN10, DIN 2501 PN10
- Overall length according to EN 558, ISO 5752
- Control range 90°<



d [mm]	DN [mm]	Inch	PN	kv-value ($\Delta p=1$ bar) [l/min]	FPM Code	PTFE Code	kg
63	50	2	10	1470	199 241 502	199 241 562	4.198
75	65	2 ½	10	2200	199 241 503	199 241 563	4.561
90	80	3	10	3000	199 241 504	199 241 564	6.099
110	100	4	10	6500	199 241 505	199 241 565	7.750
140	125	5	10	11500	199 241 506	199 241 566	9.731
160	150	6	10	16600	199 241 507	199 241 567	13.500
225	200	8	10	39600	199 241 508	199 241 568	19.114

d [mm]	Actuator unit type	D	D1 [mm]	d2 [mm]	H [mm]	H1 [mm]	H2 [mm]	H3 [mm]	H4 [mm]	H5 [mm]	L [mm]	L1 [mm]	L2 [mm]
63	PA-35 DA	M16	125	150	318	77	134	107	60	15	45	177	55
75	PA-35 DA	M16	145	170	330	83	140	107	60	15	46	177	55
90	PA-40 DA	M16	160	184	348	89	146	113	66	15	49	190	60
110	PA-45 DA	M16	180	216	373	104	167	102	71		56	235	65
140	PA-45 DA	M16	210	246	409	117	181	111	78		64	235	72
160	PA-55 DA	M20	240	273	448	130	189	129	86		72	279	80
225	PA-55 DA	M20	295	334	507	158	210	139	96		73	279	90

d [mm]	L3 [mm]	Q1 [mm]	Q2 [mm]
63	150	40	
75	160	54	35
90	205	67	50
110	244	88	74
140	272	113	97
160	297	139	123
225	360	178	169

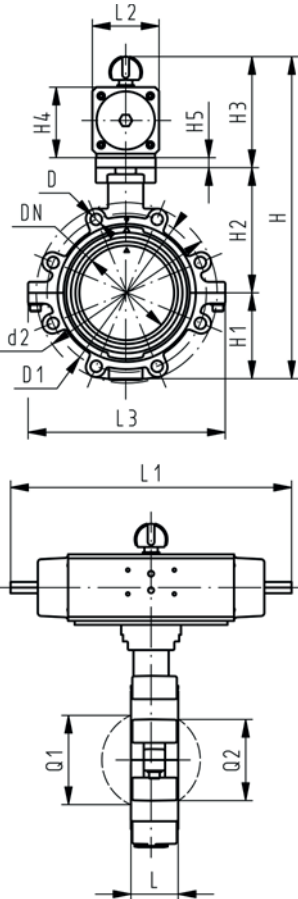
PF 3 39 769 002



SYGEF Standard Lugstyle butterfly valve type 242 ANSI FC (Fail safe to close) Without manual override

Model:

- Material: PVDF
- Outer body in GGG-40.3 epoxy-coated
- Connecting dimension ANSI/ASME B 16.5 Class 150
- Overall length according to EN 558, ISO 5752
- Control range 90°<



Inch	DN [mm]	d [mm]	PN	kv-value ($\Delta p=1$ bar) [l/min]	FPM Code	PTFE Code	kg
2	50	63	10	1470	199 242 462	199 242 522	5.348
2 1/2	65	75	10	2200	199 242 463	199 242 523	5.711
3	80	90	10	3000	199 242 464	199 242 524	6.139
4	100	110	10	6500	199 242 465	199 242 525	9.498
5	125	140	10	11500	199 242 466	199 242 526	12.481
6	150	160	10	16600	199 242 467	199 242 527	17.021
8	200	225	10	39600	199 242 468	199 242 528	25.114

Inch	Actuator unit type	D	D1 [mm]	d2 [mm]	H [mm]	H1 [mm]	H2 [mm]	H3 [mm]	H4 [mm]	H5 [mm]	L [mm]	L1 [mm]	L2 [mm]
2	PA-30 FC	UNC 5/8	121	150	328	77	134	117	70	15	45	276	65
2 1/2	PA-30 FC	UNC 5/8	140	170	340	83	140	117	70	15	46	276	65
3	PA-35 FC	UNC 5/8	153	177	361	89	146	126	78	15	49	326	72
4	PA-40 FC	UNC 5/8	191	216	400	104	167	129	86		56	370	80
5	PA-45 FC	UNC 3/4	216	246	437	117	181	139	96		64	411	90
6	PA-50 FC	UNC 3/4	242	273	468	130	189	149	106		72	423	100
8	PA-55 FC	UNC 3/4	299	334	529	158	210	161	118		73	452	112

Inch	L3 [mm]	Q1 [mm]	Q2 [mm]
2	150	40	
2 1/2	160	54	35
3	175	67	50
4	244	88	74
5	272	113	97
6	297	139	123
8	360	178	169

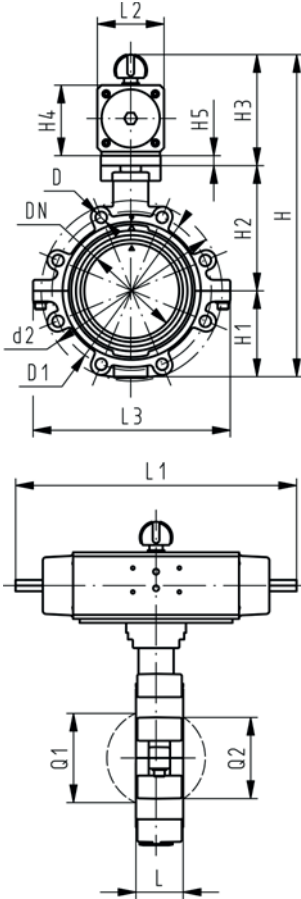
PF 3 39 769 001



SYGEF Standard Lugstyle butterfly valve type 242 ANSI FO (Fail safe to open) Without manual override

Model:

- Material: PVDF
- Outer body in GGG-40.3 epoxy-coated
- Connecting dimension ANSI/ASME B 16.5 Class 150
- Overall length according to EN 558, ISO 5752
- Control range 90°<



Inch	DN [mm]	d [mm]	PN	kv-value ($\Delta p=1$ bar) [l/min]	FPM Code	PTFE Code	kg
2	50	63	10	1470	199 242 482	199 242 542	5.348
2 ½	65	75	10	2200	199 242 483	199 242 543	5.711
3	80	90	10	3000	199 242 484	199 242 544	6.139
4	100	110	10	6500	199 242 485	199 242 545	9.498
5	125	140	10	11500	199 242 486	199 242 546	12.481
6	150	160	10	16600	199 242 487	199 242 547	17.021
8	200	225	10	39600	199 242 488	199 242 548	25.114

Inch	Actuator unit type	D	D1 [mm]	d2 [mm]	H [mm]	H1 [mm]	H2 [mm]	H3 [mm]	H4 [mm]	H5 [mm]	L [mm]	L1 [mm]	L2 [mm]
2	PA-30 FO	UNC 5/8	121	150	328	77	134	117	70	15	45	276	65
2 ½	PA-30 FO	UNC 5/8	140	170	340	83	140	117	70	15	46	276	65
3	PA-35 FO	UNC 5/8	153	177	361	89	146	126	78	15	49	326	72
4	PA-40 FO	UNC 5/8	191	216	400	104	167	129	86		56	370	80
5	PA-45 FO	UNC 3/4	216	246	437	117	181	139	96		64	411	90
6	PA-50 FO	UNC 3/4	242	273	468	130	189	149	106		72	423	100
8	PA-55 FO	UNC 3/4	299	334	529	158	210	161	118		73	452	112

Inch	L3 [mm]	Q1 [mm]	Q2 [mm]
2	150	40	
2 ½	160	54	35
3	175	67	50
4	244	88	74
5	272	113	97
6	297	139	123
8	360	178	169

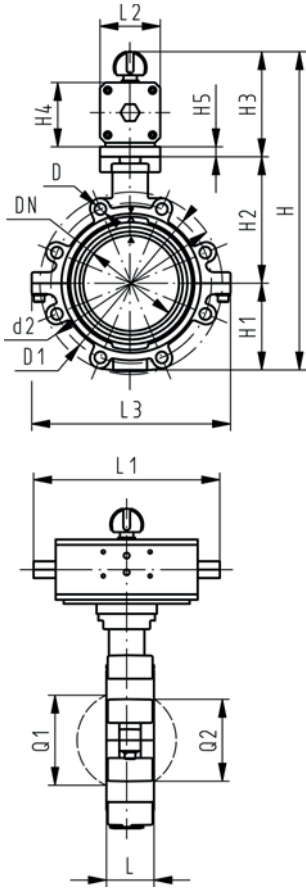
PF 3 39 769 001



SYGEF Standard Lugstyle butterfly valve type 242 ANSI DA (Double acting) Without manual override

Model:

- Material: PVDF
- Outer body in GGG-40.3 epoxy-coated
- Connecting dimension ANSI/ASME B 16.5 Class 150
- Overall length according to EN 558, ISO 5752
- Control range 90°<



Inch	DN [mm]	d [mm]	PN	kv-value ($\Delta p=1$ bar) [l/min]	FPM Code	PTFE Code	kg
2	50	63	10	1470	199 242 502	199 242 562	4.198
2 ½	65	75	10	2200	199 242 503	199 242 563	4.561
3	80	90	10	3000	199 242 504	199 242 564	5.470
4	100	110	10	6500	199 242 505	199 242 565	7.750
5	125	140	10	11500	199 242 506	199 242 566	9.731
6	150	160	10	16600	199 242 507	199 242 567	13.500
8	200	225	10	39600	199 242 508	199 242 568	19.114

Inch	Actuator unit type	D	D1 [mm]	d2 [mm]	H [mm]	H1 [mm]	H2 [mm]	H3 [mm]	H4 [mm]	H5 [mm]	L [mm]	L1 [mm]	L2 [mm]
2	PA-35 DA	UNC 5/8	121	150	318	77	134	107	60	15	45	177	55
2 ½	PA-35 DA	UNC 5/8	140	170	330	83	140	107	60	15	46	177	55
3	PA-40 DA	UNC 5/8	153	177	348	89	146	113	66	15	49	190	60
4	PA-45 DA	UNC 5/8	191	216	373	104	167	102	71		56	235	65
5	PA-45 DA	UNC 3/4	216	246	409	117	181	111	78		64	235	72
6	PA-55 DA	UNC 3/4	242	273	448	130	189	129	86		72	279	80
8	PA-55 DA	UNC 3/4	299	334	507	158	210	139	96		73	279	90

Inch	L3 [mm]	Q1 [mm]	Q2 [mm]
2	150	40	
2 ½	160	54	35
3	175	67	50
4	244	88	74
5	272	113	97
6	297	139	123
8	360	178	169

PF 3 39 769 001

Solenoid valves

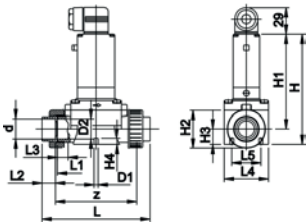
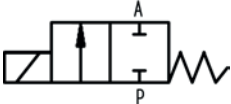
SYGEF Standard

Solenoid valve type 165

Nominal voltage 230V 50 Hz

Function A straight-through valve 2/2 ways

With fusion sockets metric



Model:

- Material: PVDF
- With manual override
- Electrical connection: cable plug
- Protection class IP 65

d [mm]	DN [mm]	PN [bar]	kv-value ($\Delta p=1$ bar) [l/min]	EPDM Code	FPM Code	kg
20	15	0.5 - 6.0	83	199 165 412	199 165 402	1.047
25	20	0.5 - 6.0	100	199 165 413	199 165 403	0.700
32	25	0.5 - 6.0	233	199 165 414	199 165 404	1.200
40	32	0.5 - 6.0	500	199 165 415	199 165 405	1.268
50	40	0.5 - 6.0	500	199 165 416	199 165 406	2.200
63	50	0.5 - 6.0	600	199 165 417	199 165 407	2.200

d [mm]	D2 [mm]	z [mm]	L [mm]	L1 [mm]	L2 [mm]	L3 [mm]	L4 [mm]	L5 [mm]	H [mm]	H1 [mm]	H2 [mm]	H3 [mm]	H4 [mm]	closest inch
20		120	147	109	16		63	40	148	122	53	22	8	1/2
25	25	120	151	109	18	18	62	40	148	122	53	22	8	3/4
32		150	185	139	20		85	45	175	137	76	31	15	1
40	40	150	189	139	22	23	85	45	175	137	76	31	15	1 1/4
50		200	245	189	25		115	45	212	160	105	42	15	1 1/2
63	63	200	253	189	29	33	115	45	212	160	105	42	15	2

PF 3 39 215 112

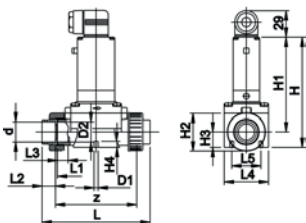
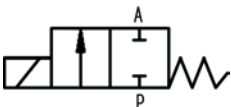
SYGEF Standard

Solenoid valve type 165

Nominal voltage 115V 50 Hz

Function A straight-through valve 2/2 ways

With fusion sockets metric



Model:

- Material: PVDF
- With manual override
- Electrical connection: cable plug
- Protection class IP 65

d [mm]	DN [mm]	PN [bar]	kv-value ($\Delta p=1$ bar) [l/min]	EPDM Code	FPM Code	kg
20	15	0.5 - 6.0	83	199 165 442	199 165 432	0.700
25	20	0.5 - 6.0	100	199 165 443	199 165 433	0.700
32	25	0.5 - 6.0	233	199 165 444	199 165 434	1.200
40	32	0.5 - 6.0	267	199 165 445	199 165 435	1.200
50	40	0.5 - 6.0	500	199 165 446	199 165 436	2.200
63	50	0.5 - 6.0	600	199 165 447	199 165 437	2.200

d [mm]	D2 [mm]	z [mm]	L [mm]	L1 [mm]	L2 [mm]	L3 [mm]	L4 [mm]	L5 [mm]	H [mm]	H1 [mm]	H2 [mm]	H3 [mm]	H4 [mm]	closest inch
20		120	147	109	16		63	40	148	122	53	22	8	1/2
25	25	120	151	109	18	18	62	40	148	122	53	22	8	3/4
32		150	185	139	20		85	45	175	137	76	31	15	1
40	40	150	189	139	22	23	85	45	175	137	76	31	15	1 1/4
50		200	245	189	25		115	45	212	160	105	42	15	1 1/2
63	63	200	253	189	29	33	115	45	212	160	105	42	15	2

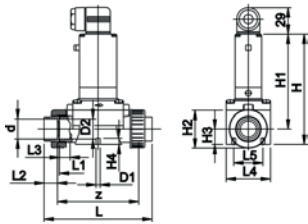
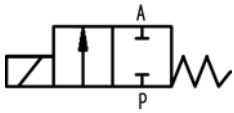
PF 3 39 215 114



SYGEF Standard
Solenoid valve type 165
Nominal voltage 24V DC
Function A straight-through valve 2/2 ways
With fusion sockets metric

Model:

- Material: PVDF
- With manual override
- Electrical connection: cable plug
- Protection class IP 65



d [mm]	DN [mm]	PN [bar]	kv-value ($\Delta p=1$ bar) [l/min]	EPDM Code	FPM Code	kg
20	15	0.5 - 6.0	83	199 165 422	199 165 452	0.700
25	20	0.5 - 6.0	100	199 165 423	199 165 453	0.744
32	25	0.5 - 6.0	233	199 165 424	199 165 454	1.300
40	32	0.5 - 6.0	267	199 165 425	199 165 455	1.200
50	40	0.5 - 6.0	500	199 165 426	199 165 456	2.200
63	50	0.5 - 6.0	600	199 165 427	199 165 457	2.200

d [mm]	D2 [mm]	z [mm]	L [mm]	L1 [mm]	L2 [mm]	L3 [mm]	L4 [mm]	L5 [mm]	H [mm]	H1 [mm]	H2 [mm]	H3 [mm]	H4 [mm]	closest inch
20		120	147	109	16		63	40	148	122	53	22	8	1/2
25	25	120	151	109	18	18	62	40	148	122	53	22	8	3/4
32		150	185	139	20		85	45	175	137	76	31	15	1
40	40	150	189	139	22	23	85	45	175	137	76	31	15	1 1/4
50		200	245	189	25		115	45	212	160	105	42	15	1 1/2
63	63	200	253	189	29	33	115	45	212	160	105	42	15	2

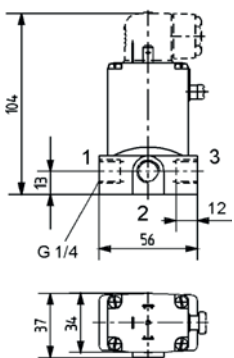
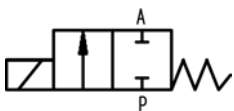
PF 3 39 215 116



SYGEF Standard
Solenoid valve type 166
Function A straight-through valve 2/2 ways
Nominal voltage 24V DC
With G 1/4 line connection

Model:

- Material: PVDF
- With manual override
- Electrical connection: cable plug
- Protection class IP 65



DN [mm]	D1_G [inch]	Function	PN [bar]	kv-value ($\Delta p=1$ bar) [l/min]	FPM Code	kg
3	1/4	A	0.0 - 8.0	4	199 166 505	1.100
4	1/4	A	0.0 - 4.0	5	199 166 506	0.302
5	1/4	A	0.0 - 3.0	6	199 166 507	0.331

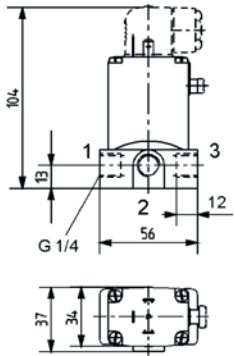
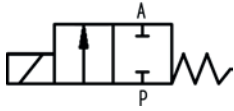
PF 3 39 215 251



SYGEF Standard
Solenoid valve type 166
Function A straight-through valve 2/2 ways
Nominal voltage 230V 50Hz ±10%
With G 1/4 line connection

Model:

- Material: PVDF
- With manual override
- Electrical connection: cable plug
- Protection class IP 65



PF 3 39 215 253

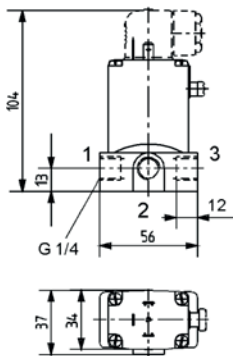
DN [mm]	D1_G [inch]	Function	PN [bar]	kv-value ($\Delta p=1$ bar) [l/min]	FPM Code	kg
3	1/4	A	0.0 - 10.0	4	199 166 515	1.100
4	1/4	A	0.0 - 5.0	5	199 166 516	1.100
5	1/4	A	0.0 - 4.5	6	199 166 517	1.100



SYGEF Standard
Solenoid valve type 166
Function E mixing valve 3/2 ways
Nominal voltage 24V DC
With G 1/4 line connection

Model:

- Material: PVDF
- With manual override
- Electrical connection: cable plug
- Protection class IP 65



PF 3 39 215 281

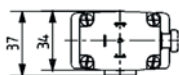
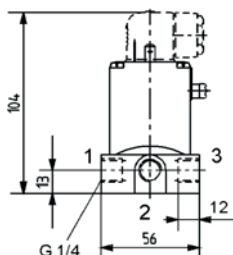
DN [mm]	D1_G [inch]	Function	PN [bar]	kv-value ($\Delta p=1$ bar) [l/min]	FPM Code	kg
4	1/4	E	0.0 - 2.0	5	199 166 656	1.100



SYGEF Standard
Solenoid valve type 166
Function E mixing valve 3/2 ways
Nominal voltage 230V 50Hz ±10%
With G 1/4 line connection

Model:

- Material: PVDF
- With manual override
- Electrical connection: cable plug
- Protection class IP 65



PF 3 39 215 283

DN [mm]	D1_G [inch]	Function	PN [bar]	kv-value ($\Delta p=1$ bar) [l/min]	FPM Code	kg	
4	1/4	E	0.0 - 3.0	5	199 166 666	1.100	

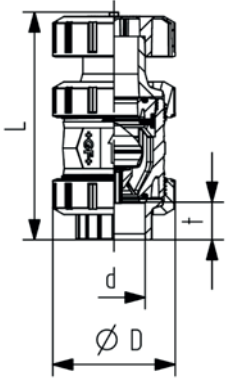
Process control valves

SYGEF Standard Ventilating and bleed valve type 591 With fusion sockets metric



Model:

- Material: PVDF
- With protection cap up to DN50 made from PP-GF, DN65-100 made from POM
- Special floater made of PVDF
- Designed for easy installation and removal
- Compact installation length



d [mm]	DN [mm]	PN	FPM Code	kg	D [mm]	L [mm]	t [mm]	closest inch
16	10	16	175 591 011	0.177	50	126	14	3/8
20	15	16	175 591 012	0.177	50	127	15	1/2
25	20	16	175 591 013	0.363	58	142	16	3/4
32	25	16	175 591 014	0.394	68	153	18	1
40	32	16	175 591 015	0.722	84	171	19	1 1/4
50	40	16	175 591 016	1.059	97	190	21	1 1/2
63	50	16	175 591 017	1.876	124	219	26	2
75	65	16	175 591 018	3.630	166	256	33	2 1/2
90	80	16	175 591 019	5.800	200	275	37	3
110	100	16	175 591 020	9.450	238	318	43	4

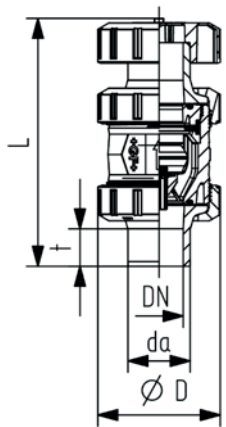
PF 2 35 990 311

SYGEF Standard Ventilating and bleed valve type 591 With socket fusion spigots metric



Model:

- Material: PVDF
- With protection cap up to DN50 made from PP-GF, DN65-100 made from POM
- Special floater made of PVDF
- Designed for easy installation and removal
- Compact installation length



d [mm]	DN [mm]	PN	FPM Code	kg	D [mm]	L [mm]	t [mm]	closest inch
16	10	16	175 591 031	0.177	50	135	13	3/8
20	15	16	175 591 032	0.187	50	140	14	1/2
25	20	16	175 591 033	0.393	58	157	16	3/4
32	25	16	175 591 034	0.434	68	168	18	1
40	32	16	175 591 035	0.722	84	189	20	1 1/4
50	40	16	175 591 036	1.099	97	211	23	1 1/2
63	50	16	175 591 037	1.936	124	245	27	2

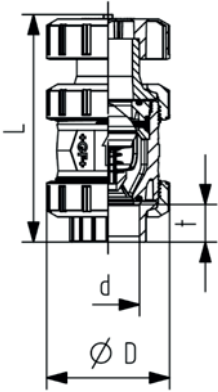
PF 2 35 990 311



SYGEF Standard Ventilating valve type 595 With fusion sockets metric

Model:

- Material: PVDF
- With protection cap up to DN50 made from PP-GF, DN65-100 made from POM
- Spring loaded, spring made of NIMONIC 90, HALAR coated
- Spring available in other materials, see spare parts
- Designed for easy installation and removal
- Compact installation length



d [mm]	DN [mm]	PN	FPM Code	kg	D [mm]	L [mm]	t [mm]	closest inch
16	10	16	175 595 011	0.177	50	126	14	3/8
20	15	16	175 595 012	0.177	50	127	15	1/2
25	20	16	175 595 013	0.363	58	142	16	3/4
32	25	16	175 595 014	0.394	68	153	18	1
40	32	16	175 595 015	0.722	84	171	19	1 1/4
50	40	16	175 595 016	1.059	97	190	21	1 1/2
63	50	16	175 595 017	1.876	124	219	26	2
75	65	16	175 595 018	3.630	166	256	33	2 1/2
90	80	16	175 595 019	5.800	200	275	37	3
110	100	16	175 595 020	9.450	238	318	43	4

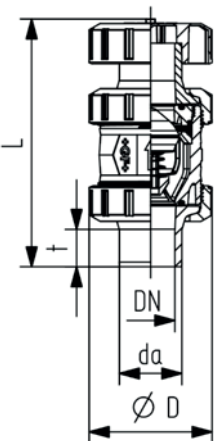
PF 2 35 990 411



SYGEF Standard Ventilating valve type 595 With socket fusion spigots metric

Model:

- Material: PVDF
- With protection cap up to DN50 made from PP-GF, DN65-100 made from POM
- Spring loaded, spring made of NIMONIC 90, HALAR coated
- Spring available in other materials, see spare parts
- Designed for easy installation and removal
- Compact installation length



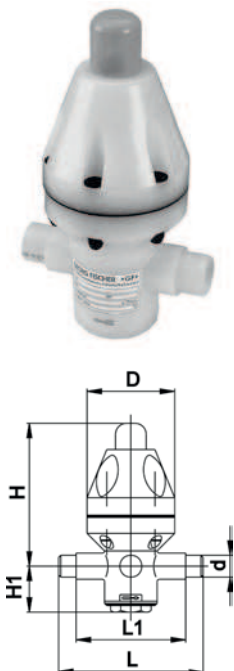
d [mm]	DN [mm]	PN	FPM Code	kg	D [mm]	L [mm]	t [mm]	closest inch
16	10	16	175 595 031	0.177	50	135	13	3/8
20	15	16	175 595 032	0.187	50	140	14	1/2
25	20	16	175 595 033	0.393	58	157	16	3/4
32	25	16	175 595 034	0.434	68	168	18	1
40	32	16	175 595 035	0.722	84	189	20	1 1/4
50	40	16	175 595 036	1.099	97	211	23	1 1/2
63	50	16	175 595 037	1.936	124	245	27	2

PF 2 35 990 411

SYGEF Standard Pressure reducing valve type V782 With fusion spigots metric

Model:

- Material: PVDF



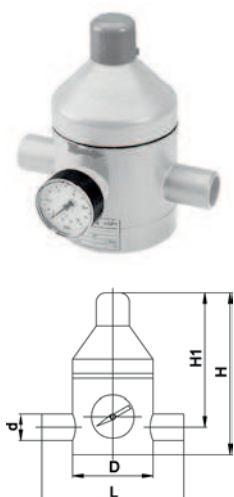
PF 3 58 458 002

d [mm]	DN [mm]	Pressure range [bar]	PTFE Code	kg	D [mm]	L [mm]	L1 [mm]	H [mm]	H1 [mm]	closest inch
16	10	0.5 - 10	199 041 084	1.300	83	134	102	138	48	3/8
20	15	0.5 - 10	199 041 085	1.300	83	134	102	138	48	1/2
25	20	0.5 - 10	199 041 086	2.186	113	154	110	205	65	3/4
32	25	0.5 - 10	199 041 087	1.882	113	154	110	205	65	1
40	32	0.5 - 10	199 041 088	7.036	165	224	162	248	95	1 1/4
50	40	0.5 - 10	199 041 089	4.840	165	224	162	248	95	1 1/2

SYGEF Standard Pressure reducing valve type V82 With fusion spigots metric

Model:

- Material: PVDF



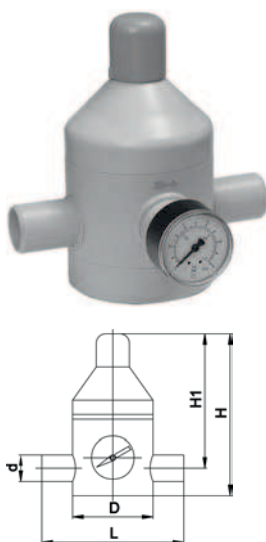
PF 3 58 458 002

d [mm]	DN [mm]	Pressure range [bar]	PTFE Code	kg	D [mm]	L [mm]	H [mm]	H1 [mm]	closest inch
16	10	0.5 - 10	199 041 052	0.790	70	134	130	100	3/8
20	15	0.5 - 10	199 041 053	0.736	70	134	130	100	1/2
25	20	0.5 - 10	199 041 054	1.620	100	174	170	130	3/4
32	25	0.5 - 10	199 041 055	1.968	100	174	170	130	1
40	32	0.5 - 10	199 041 056	4.006	130	224	230	175	1 1/4
50	40	0.5 - 10	199 041 057	3.960	130	224	230	175	1 1/2
63	50	0.5 - 10	199 041 058	5.700	155	244	285	210	2
75	65	0.5 - 6	199 041 059	11.600	190	284	350	250	2 1/2

SYGEF Standard Pressure reducing valve type V182 With fusion spigots metric

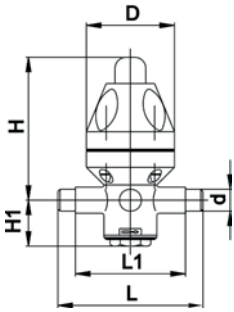
Model:

- Material: PVDF



PF 3 58 458 002

d [mm]	DN [mm]	Pressure range [bar]	FPM Code	kg	D [mm]	L [mm]	H [mm]	H1 [mm]	closest inch
16	10	0.5 - 10	199 041 661	0.790	70	134	130	100	3/8
20	15	0.5 - 10	199 041 662	0.751	70	134	130	100	1/2
25	20	0.5 - 10	199 041 663	1.620	100	174	170	130	3/4
32	25	0.5 - 10	199 041 664	1.620	100	174	170	130	1
40	32	0.5 - 10	199 041 665	3.150	130	224	230	175	1 1/4
50	40	0.5 - 10	199 041 666	3.150	130	224	230	175	1 1/2



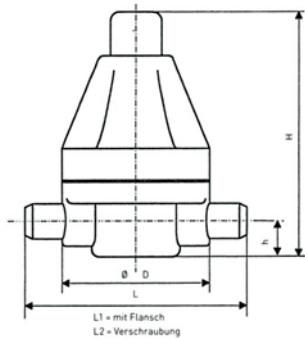
PF 3 58 458 002

SYGEF Standard Pressure retaining valve type V786 With fusion spigots metric

Model:

- Material: PVDF

d [mm]	DN [mm]	Pressure range [bar]	PTFE Code	kg	D [mm]	L [mm]	L1 [mm]	H [mm]	H1 [mm]	closest inch
16	10	0.5 - 10	199 041 114	0.620	83	134	102	138	38	3/8
20	15	0.5 - 10	199 041 115	0.620	83	134	102	158	38	1/2
25	20	0.5 - 10	199 041 116	1.883	113	154	110	205	55	3/4
32	25	0.5 - 10	199 041 117	1.700	113	154	110	205	55	1
40	32	0.5 - 4	199 041 118	4.840	165	224	162	248	85	1 1/4
50	40	0.5 - 4	199 041 119	4.840	165	224	162	248	85	1 1/2



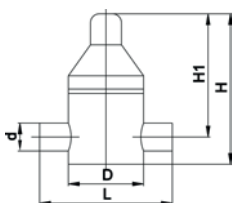
PF 3 58 458 002

SYGEF Standard Pressure retaining valve type V186 With fusion spigots metric

Model:

- Material: PVDF

d [mm]	DN [mm]	Pressure range [bar]	PTFE Code	kg	D [mm]	L [mm]	H [mm]	h [mm]	closest inch
16	10	0.5 - 10	199 041 323	0.600	83	134	137	20	3/8
20	15	0.5 - 10	199 041 324	0.600	83	134	137	20	1/2
25	20	0.5 - 10	199 041 325	0.600	83	134	137	20	3/4
32	25	0.5 - 10	199 041 326	1.600	112	174	199	27	1
40	32	0.5 - 10	199 041 327	1.600	112	174	199	27	1 1/4
50	40	0.5 - 10	199 041 328	8.000	165	224	290	43	1 1/2
63	50	0.5 - 10	199 041 329	7.814	165	244	290	43	2



PF 3 58 458 002

SYGEF Standard Pressure retaining valve type V86 With fusion spigots metric

Model:

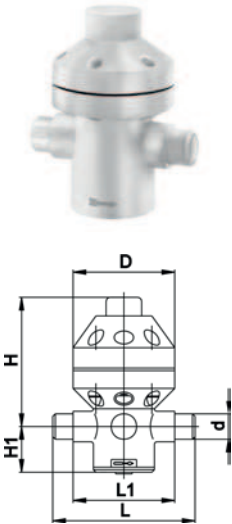
- Material: PVDF

d [mm]	DN [mm]	Pressure range [bar]	PTFE Code	kg	D [mm]	L [mm]	H [mm]	H1 [mm]	closest inch
75	65	1.0 - 6	199 041 892	7.730	180	284	275	230	2 1/2

SYGEF Standard Pressure retaining valve type V886 With fusion spigots metric

Model:

- Material: PVDF



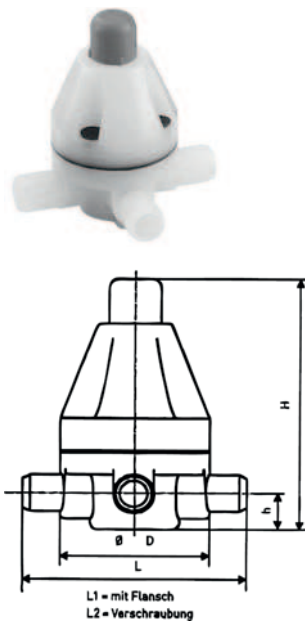
d [mm]	DN [mm]	Pressure range [bar]	PTFE Code	kg	D [mm]	L [mm]	L1 [mm]	H [mm]	H1 [mm]	closest inch
40	32	0.5 - 10	199 041 998	5.530	160	224	162	260	85	1 ½
50	40	0.5 - 10	199 041 999	5.530	160	224	162	260	85	2

PF 3 58 458 002

SYGEF Standard Pressure relief valve type V185 With fusion spigots metric

Model:

- Material: PVDF



d [mm]	DN [mm]	Pressure range [bar]	PTFE Code	kg	D [mm]	L [mm]	H [mm]	h [mm]	closest inch
16	10	0.5 - 10	199 041 344	0.700	83	134	137	20	¾
20	15	0.5 - 10	199 041 345	0.700	83	134	137	20	½
25	20	0.5 - 10	199 041 346	0.700	83	134	137	20	¾
32	25	0.5 - 10	199 041 347	1.700	112	174	199	27	1
40	32	0.5 - 10	199 041 348	1.700	112	174	199	27	1 ¼
50	40	0.5 - 10	199 041 349	8.100	165	224	290	43	1 ½
63	50	0.5 - 10	199 041 350	8.300	165	244	290	43	2

PF 3 58 458 002

SYGEF Standard Pressure relief valve type V85 With fusion spigots metric

Model:

- Material: PVDF



d [mm]	DN [mm]	Pressure range [bar]	PTFE Code	kg	D [mm]	L [mm]	H [mm]	H1 [mm]	H2 [mm]	closest inch
75	65	1.0 - 6	199 041 898	13.000	180	284	295	250	70	2 ½

PF 3 58 458 002

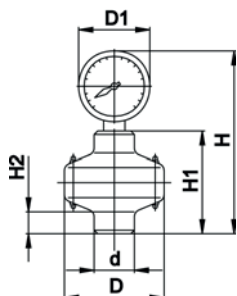


SYGEF Standard Gauge guard type Z700 With manometer 0-10 bar

Model:

- Material: PVDF

d [mm]	G [inch]	PTFE Code	kg	D [mm]	D1 [mm]	H [mm]	H1 [mm]	H2 [mm]
25	¼	199 041 004	0.297	72	63	129	71	15
32	½	199 041 005	0.670	100	100	210	90	22



PF 3 58 458 001

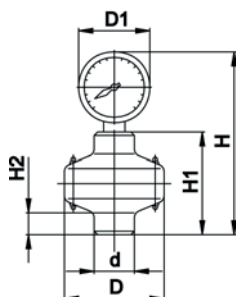


SYGEF Standard Gauge guard type Z700 With manometer 0-6 bar

Model:

- Material: PVDF

d [mm]	G [inch]	PTFE Code	kg	D [mm]	D1 [mm]	H [mm]	H1 [mm]	H2 [mm]
25	¼	199 041 296	0.320	72	63	129	71	15
32	½	199 041 297	0.670	100	100	210	90	22



PF 3 58 458 001

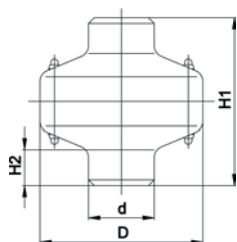


SYGEF Standard Gauge guard type Z701 Without manometer

Model:

- Material: PVDF

d [mm]	G [inch]	PTFE Code	kg	D [mm]	H1 [mm]	H2 [mm]
25	¼	199 041 010	0.173	72	71	15
32	½	199 041 011	0.334	100	90	22



PF 3 58 458 001



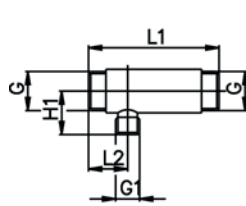
SYGEF Standard Water jet suction pump type P20

Model:

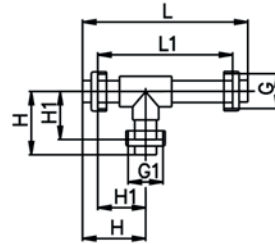
- Material: PVDF
- DN 10-20: BSP parallel female thread
- DN 25-50: Fusion socket metric
- DN 65-80: Fusion spigot metric

d [mm]	DN [mm]	PN	FPM Code	kg
16	10	10	199 041 138	0.160
20	15	10	199 041 139	0.300
25	20	10	199 041 140	0.480
32	25	10	199 041 141	0.690
40	32	10	199 041 142	1.100
50	40	10	199 041 143	1.880
63	50	10	199 041 144	3.340
75	65	10	199 041 145	3.340
90	80	10	199 041 146	5.500

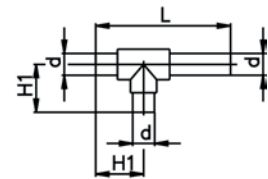
d [mm]	G [inch]	G1 [inch]	L [mm]	L1 [mm]	L2 [mm]	H [mm]	H1 [mm]	closest inch
16	R 3/4	R 3/4		110	40		35	3/8
20	R 1	R 3/4		110	40		35	1/2
25	R 1 1/4	R 3/4		145	45		45	3/4
32	R 1 1/2	R 1 1/2	245	195		96	71	1
40	R 2	R 2	297	239		116	87	1 1/4
50	R 2 1/4	R 2 1/4	369	301		139	105	1 1/2
63	R 2 3/4	R 2 3/4	433	351		169	128	2
75	-	-	388				115	2 1/2
90	-	-	465				149	3



DN 10 - 20



DN 25 - 50



DN 65 - 80

PF 3 58 458 004

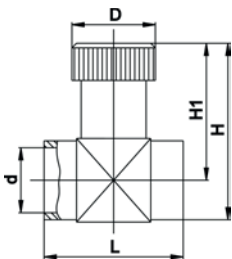


SYGEF Standard Throttle valve type V251 With fusion sockets metric

Model:

- Material: PVDF

d [mm]	DN [mm]	PN	FPM Code	kg	D [mm]	L [mm]	H [mm]	H1 [mm]	closest inch
16	10	10	199 041 231	0.100	29	47	57	45	3/8
20	15	10	199 041 232	0.104	35	55	66	51	1/2
25	20	10	199 041 233	0.143	40	66	80	63	3/4
32	25	10	199 041 234	0.273	47	80	96	75	1
40	32	10	199 041 235	0.400	56	100	111	86	1 1/4
50	40	10	199 041 236	0.923	70	120	133	101	1 1/2
63	50	10	199 041 237	1.300	88	146	158	118	2

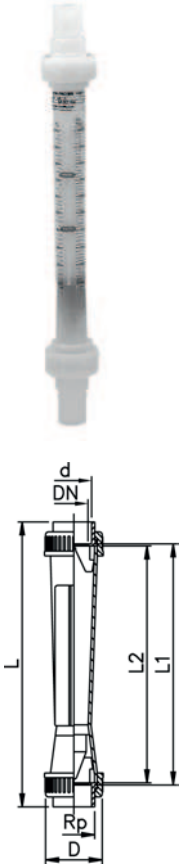


PF 3 58 458 003

Variable area flow meters

Special version PVDF Float in PVDF (red) without magnet

Dimension L and L1 only valid for socket connection
Dimension L2 describes taper tube length



Type	d [mm]	DN [mm]	Scale range [l/h]	Taper tube in PVDF O-rings in FPM fusion sock- et Code	Taper tube in PVDF O-rings in FPM IR fusion spigot Code	kg
SK 10	32	25	50 - 500	198 806 466	198 803 905	0.520
SK 11	32	25	100 - 1000	198 806 467	198 803 906	0.520
SK 20	50	40	200 - 2000	198 806 468	198 803 907	1.220
SK 21	50	40	300 - 3000	198 806 469	198 803 908	1.220
SK 30	63	50	600 - 6000	198 806 470	198 803 909	1.785
SK 31	63	50	1200 - 12000	198 806 471	198 803 910	1.680
SK 40	75	65	2000 - 20000	-	198 803 911	2.900
SK 41	75	65	3000 - 30000	-	198 803 912	2.900

Type	D [mm]	L [mm]	L (IR-SS) [mm]	L1 [mm]	L2 [mm]	Rp [inch]
SK 10	60	385	443	341	335	1
SK 11	60	385	443	341	335	1
SK 20	83	403	459	341	335	1 ½
SK 21	83	403	459	341	335	1 ½
SK 30	103	417	461	339	335	2
SK 31	103	417	461	339	335	2
SK 40	122	429	453	341	335	2 ½
SK 41	122	429	453	341	335	2 ½

PF 3 48 227 006