

GF Piping Systems → worldwide at home

Our sales companies and representatives ensure local customer support in over 100 countries.

www.piping.georgfischer.com



The technical data is not binding. They neither constitute expressly warranted characteristics nor guaranteed properties nor a guaranteed durability. They are subject to modification. Our General Terms of Sale apply.

Adding Quality to People's Lives

Australia

George Fischer Pty Ltd
Riverwood NSW 2210 Australia
Phone +61(0)2 9502 8000
australia.ps@georgfischer.com
www.georgfischer.com.au

Austria

Georg Fischer
Rohrleitungssysteme GmbH
3130 Herzogenburg
Phone +43(0)2782 856 43-0
austria.ps@georgfischer.com
www.georgfischer.at

Belgium/Luxembourg

Georg Fischer NV/SA
1070 Bruxelles/Brüssel
Phone +32(0)2 556 40 20
be.ps@georgfischer.com
www.georgfischer.be

Brazil

George Fischer Ltda
04795-100 São Paulo
Phone +55(0)11 5687 1311
br.ps@georgfischer.com

China

Georg Fischer
Piping Systems Ltd Shanghai
Pudong, Shanghai 201319
Phone +86(0)21 58 13 33 33
china.ps@georgfischer.com
www.cn.piping.georgfischer.com

Denmark/Iceland

Georg Fischer A/S
2630 Taastrup
Phone +45 (0)70 22 19 75
info.dk.ps@georgfischer.com
www.georgfischer.dk

France

Georg Fischer SAS
95932 Roissy Charles de Gaulle Cedex
Phone +33(0)1 41 84 68 84
fr.ps@georgfischer.com
www.georgfischer.fr

Germany

Georg Fischer GmbH
73095 Albershausen
Phone +49(0)7161 302-0
info.de.ps@georgfischer.com
www.georgfischer.de

India

Georg Fischer Piping Systems Ltd
400 076 Mumbai
Phone +91 224007 2001
in.ps@georgfischer.com
www.georgfischer.in

Italy

Georg Fischer S.p.A.
20063 Cernusco S/N (MI)
Phone +3902 921 861
it.ps@georgfischer.com
www.georgfischer.it

Japan

Georg Fischer Ltd
556-0011 Osaka,
Phone +81(0)6 6635 2691
jp.ps@georgfischer.com
www.georgfischer.jp

Korea

Georg Fischer Piping Systems
Guro-3 dong, Guro-gu, Seoul, Korea
Phone +82(0)2 2081 1450
Fax +82(0)2 2081 1453
kor.ps@georgfischer.com

Malaysia

Georg Fischer (M) Sdn. Bhd.
40460 Shah Alam, Selangor
Phone +60 (0)3 5122 5585
conne.kong@georgfischer.com

Mexico

Georg Fischer S.A. de C.V.
Apodaca, Nuevo Leon
CP66636 Mexico
Phone +52 (81)1340 8586
Fax +52 (81)1522 8906

Middle East

Georg Fischer Piping Systems
Dubai, United Arab Emirates
Phone +971 4 289 49 60
info.export@georgfischer.com
www.export.georgfischer.com

Netherlands

Georg Fischer N.V.
8161 PA Epe
Phone +31(0)578 678 222
nL.ps@georgfischer.com
www.georgfischer.nl

Norway

Georg Fischer AS
1351 Rud
Phone +47(0)67 18 29 00
no.ps@georgfischer.com
www.georgfischer.no

Poland

Georg Fischer Sp. z o.o.
02-226 Warszawa
Phone +48(0)22 313 10 50
poland.ps@georgfischer.com
www.georgfischer.pl

Romania

Georg Fischer
Piping Systems Ltd
020257 Bucharest - Sector 2
Phone +40(0)21 230 53 80
ro.ps@georgfischer.com
www.export.georgfischer.com

Russia

Georg Fischer Piping Systems
Moscow 125047
Tel. +7 495 258 60 80
ru.ps@georgfischer.com
www.georgfischer.ru

Singapore

George Fischer Pte Ltd
528 872 Singapore
Phone +65(0)67 47 06 11
sgp.ps@georgfischer.com
www.georgfischer.com.sg

Spain/Portugal

Georg Fischer S.A.
28046 Madrid
Phone +34(0)91 781 98 90
es.ps@georgfischer.com
www.georgfischer.es

Sweden/Finland

Georg Fischer AB
12523 Älvsjö-Stockholm
Phone +46(0)8 506 775 00
info.se.ps@georgfischer.com
www.georgfischer.se

Switzerland

Georg Fischer
Rohrleitungssysteme [Schweiz] AG
8201 Schaffhausen
Phone +41(0)52 631 30 26
ch.ps@georgfischer.com
www.piping.georgfischer.ch

Taiwan

Georg Fischer Piping Systems
San Chung City, Taipei Hsien
Phone +886 2 8512 2822
Fax +886 2 8512 2823

United Kingdom/Ireland

George Fischer Sales Limited
Coventry, CV2 2ST
Phone +44(0)2476 535 535
uk.ps@georgfischer.com
www.georgfischer.co.uk

USA/Canada/Latin America/Caribbean

Georg Fischer LLC
Tustin, CA 92780-7258
Phone +1(714) 731 88 00
Toll Free 800 854 40 90
us.ps@georgfischer.com
www.us.piping.georgfischer.com

International

Georg Fischer
Piping Systems [Switzerland] Ltd.
8201 Schaffhausen
Phone +41(0)52 631 30 03
Fax +41(0)52 631 28 93
info.export@georgfischer.com
www.export.georgfischer.com



AS-Interface

The simple solution



Technical information and product overview

Modern industrial plants with conventional valve control systems require a significant amount of time and effort for installation and maintenance. GF Piping Systems offer their customers a competitive edge with the AS-Interface modules. The AS-Interface components are part of a comprehensive and intelligent system from one source and feature such benefits as:

- cost effectiveness
- easy handling
- great flexibility.

AS-Interface

AS-Interface (Actuator Sensor Interface) is an industrial standard, specially developed for fieldbus connection of actuators and sensors. It maps the lowest automation level.

The AS-Interface complements advanced fieldbus systems ideally and is used in place of conventional parallel wiring. It is suitable for simple on/off applications. The cable structure is not limited. This interface is a single master system, which polls the configured slaves in cycles, thereby exchanging input and output data.

Gateways are used to connect the AS-Interface network to the next higher automation level (e.g. Profibus DP or Foundation Fieldbus) as a slave. Flexibility in the choice of fieldbus system is thus given, enabling cooperation in international projects. More information: www.as-interface.net

Simple fieldbus connection

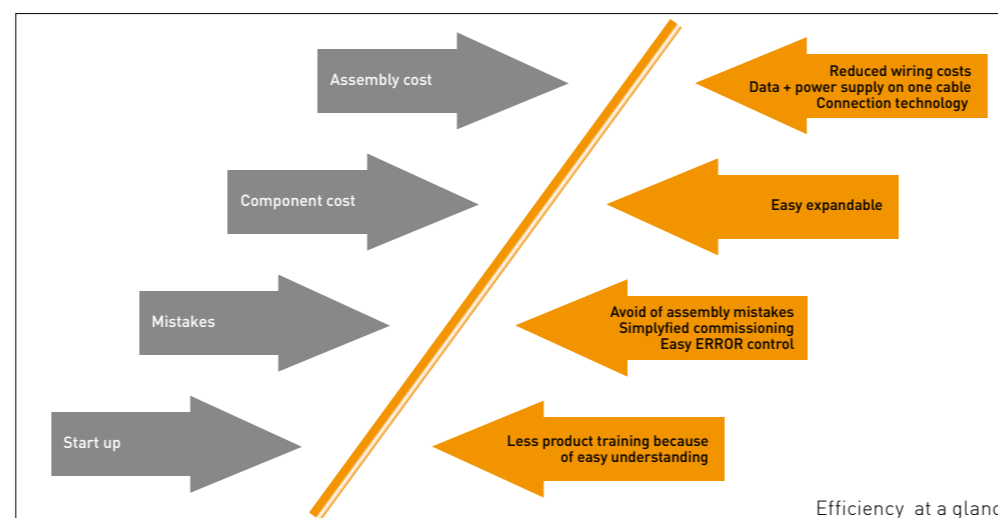
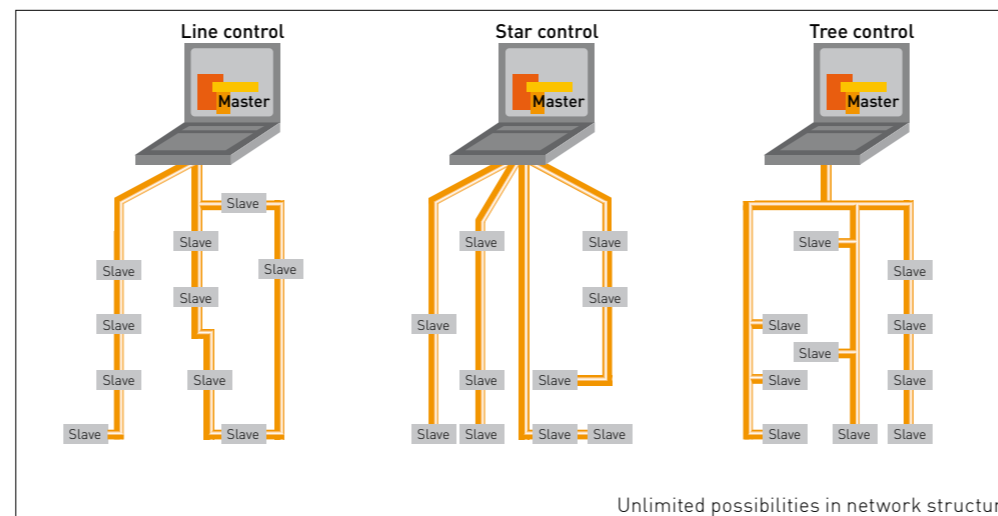
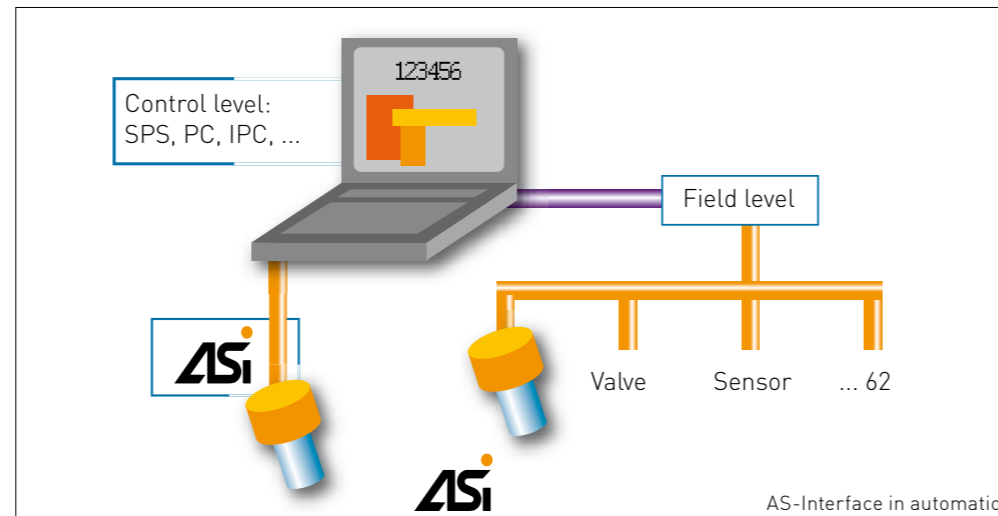
Fieldbus systems are an international standard in industrial automation. Nonetheless, cost is a frequent concern regarding the connection of simple sensors and actuators. The AS-Interface system provides an easy and cost-effective solution for integrating these in any higher fieldbus system.

Advantages of AS-Interface

- gateways to all fieldbus systems are available
- interoperability with valves of other manufacture
- low connection costs per node
- simple installation technique
- easy setup, configuration and maintenance
- highly effective error protection
- very reliable operation in an industrial environment
- electronic slave addressing
- expandable as required

General system data

- single master
- master-slave principle
- each slave has a static address
- 4-bit transfer per slave and cycle
- up to 62 slaves possible
- standard voltage 24 V DC
- up to 8 A per bus line (depending on the power supply)
- power and data via a two-wire cable
- cable length 100 m, with repeater up to 300 m
- medium unshielded cable 2 x 1.5 mm²



- IP 67 for use with cabinets and industrial environments
- piercing technology

AS-Interface components:

AS-Interface Slave

A slave can be integrated in the sensor or actuator as well as be connected upstream to them. The standard voltage is 24 V DC. The current consumption of a slave may be maximum 100 mA. If this value is exceeded, an auxiliary power supply is necessary.

AS-Interface Master

An AS-Interface master can control and manage an AS-Interface network independently. Integrated as a plug-in card in an SPS, it is addressed from there.

AS-Interface Gateway

An AS-Interface gateway works in the same way as an AS-Interface master and also acts as a connection to a higher level fieldbus system. AS-Interface gateways are available, for example, for Profibus Safety Bus P or Foundation Fieldbus.

AS-Interface Power Supply

Power supply via the AS-Interface cable (31 V) is only recommended for low loads. An additional AS-Interface power supply ensures the consistent availability of 24 V DC (e.g. EAs). Eight amps per bus line are permitted. Power and data are transmitted through the same cable and are only separated at the slave.

AS-Interface Programming

All AS-Interface slaves are delivered with „0“ as address. To assign a new valid address, a programming device is required; simple function tests may also be performed with this device.

AS-Interface Transmission Medium

The yellow mechanical coded AS-Interface cable prevents wiring errors. Piercing technology is utilized for contacting. This eliminates time-consuming installation steps, such as stripping cables and mounting wire-end sleeves. The cable is "self-healing". If the slave later needs to be moved, the cable will still conform to IP 67 after removing the connection. A round cable can be used as an alternative to the profile cable.

Cost-effectiveness of AS-Interface

The benefits of an AS-Interface system depend on the actual application. A general rule of thumb: The use of AS-Interface is profitable from approximately 12 sensors or actuators. The most convincing features of the AS-Interface system:

- quick installation
- high potential for cost savings
- saves a lot of space in cabinets
- low wiring costs
- fast setup
- fewer wiring errors.