

Member of the ProPoint® Family of Monitors



Sensor Powered - external power not required.

The Signet 5090 Sensor Powered Flow Monitor is the simplest and most economical instrument in the Signet offering. It features a balanced-spring meter movement that is powered by the AC output of the Signet 515 Paddlewheel Flow Sensor. No additional power source is required.

This unique system is suitable for a wide range of flow rates, and is Factory Mutual (FM) approved for intrinsic safety without the need for barriers. Packaged in a ¼ DIN housing with a NEMA 4X/IP65 front panel, the 5090 is the first choice for simple flow monitoring, even in the most demanding industrial environments.

Features

- High visibility analog display
- Sensor-powered flow rate indication up to 60 m (200 ft) from sensor installation
- Wide flow range:
1 to 20 ft/s in pipe sizes DN15 to D900 (½ to 36 in.)
- Single-point calibration from front panel
- Factory Mutual (FM) approved for intrinsic safety in Classes I, II and III, Division I



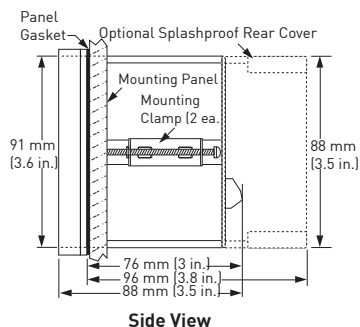
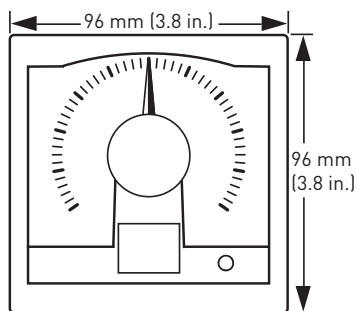
Applications

- Filtration Systems
- Hazardous Locations
- Remote Flow Monitoring
- Process Cooling Water
- Commercial Pools & Spas
- Distribution Systems
- HVAC
- Process Flow Monitoring

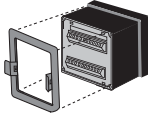


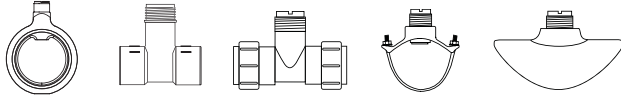
Specifications

General		
Operating Range	0.3 to 6 m/s (1 to 20 ft/s) in pipes DN15 to DN900 (½ to 36 in.)	
	7 ft/s (min. full scale range)	
Reversible dial face kit includes ranges 0 to 2, 4, 6, 8 and 100		
Display	Taut-band suspension meter movement, 250° deflection (not suitable for prolonged exposure to vibration)	
Repeatability	±1% of full scale	
Materials		
Enclosure	ABS Plastic	
Panel and Case Gasket	Neoprene	
Window	Hard-coated polycarbonate	
Electrical		
Power Requirements	None	
Environmental		
Operating Temperature	-10 °C to 65 °C	14 °F to 149 °F
Relative Humidity	0 to 95%, non-condensing	
Enclosure	NEMA 4X/IP65 (front face only)	
Shipping Weight		
	0.45 kg	1 lb
Standards and Approvals		
	FM, UL, CUL	
	China RoHS	
	Manufactured under ISO 9001 for Quality and ISO 14001 for Environmental Management	

Dimensions



System Overview

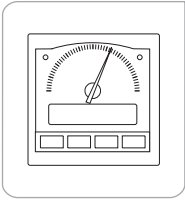
Panel Mount	
Signet 5090 Sensor Powered Flow Monitor (includes mounting bracket and panel gasket)	 
Signet Flow Sensor 515 only	
Signet Fittings	 <p>All sold separately</p>

Ordering Notes

- 1) Panel cutout should be 92 x 92 mm (3.62 x 3.62 in.)
- 2) Reversible dials are included and are scaled from 0 to 2, 0 to 4, 0 to 6, 0 to 8, 0 to 10, and 0 to 100.
- 3) An optional splashproof rear cover can be ordered separately if needed for most environments.
- 4) Flow rate unit tags are provided for labeling dials appropriately in units of gpm, lpm, etc.

Please refer to **Wiring, Installation, and Accessories** sections for more information.

Ordering Information



Mfr. Part No.	Code	Description
3-5090	198 825 000	5090 Sensor-Powered Flow Monitor

Accessories and Replacement Parts

Mfr. Part No.	Code	Description
Mounting		
3-5000.395	198 840 227	Splashproof rear cover kit
3-5000.399	198 840 224	5 x 5 inch adapter plate to retrofit older Signet installations
3-5000.598	198 840 225	Surface mount bracket (panel mount only)
3-0000.596	198 000 641	Heavy duty wall mount bracket (panel mount only)
Liquid Tight Connectors		
3-9000.392	159 000 368	Liquid tight connector kit (includes 3 connectors)
3-9000.392-1	159 000 839	Liquid tight connector kit, NPT (1 connector)
3-9000.392-2	159 000 841	Liquid tight connector kit, PG 13.5 (1 connector)
Replacement Parts		
3-5000.390	159 000 323	Installation kit (ProPoint® screws, clamps, and mounting brackets)
3-5000.396	159 000 325	5090 window kit
3-5000.525-1	198 840 226	Bezel, 5000 series
3-5090.390	159 000 334	Dial kit
3-5090.611	198 840 228	Unit tags
3-5000.396	159 000 325	5090, 5091 window Kit
3-5000.398	159 000 646	Protective overlay kit (10 pcs.)
3-5000.075	159 000 321	110V/24 VAC transformer
6400-9001	159 001 466	Intrinsic safety barrier (2 required)