

# Signet 5500 Flow Monitor



Check out the 9900 Transmitter for your single channel needs

Member of the ProPoint® Family of Monitors



The Signet 5500 Flow Monitor is an instrument that comes fully equipped with all of the basic tools needed for monitoring and controlling a flow system. The analog dial enables the user to easily read instantaneous flow rate, while the backlit LCD is useful for calibration, setup, and displaying totalized flow volume. The 5500 features a standard ¼ DIN package and removable wiring terminals. Power the instrument with virtually any standard 12 to 24-volt power supply (AC or DC).

Connect any one of Signet's wide array of flow sensors, then consider which output features are best for your application. Two dry-contact relays can be configured for High or Low alarm operation, or they can be set to pulse operation for chemical dosing applications.

Use the internally powered 4 to 20 mA output, programmable from the front keypad, to send the flow information to any PLC or data logger.

If you use all of these output features, you still have two more output pulse terminals, one at sensor frequency, the other triggered by the totalizer. And just for added convenience, the resettable totalizer can be reset by a remote hard-wired switch, up to 30 m (100 ft), or from the front keypad.

## Features

- Permanent and resettable totalizers
- Two programmable relays
- Fully scaleable active (internally powered) 4 to 20 mA output
- Tamper proof security code
- Non-volatile memory
- Intuitive software design
- Programmable pulse outputs



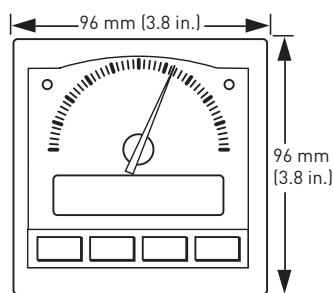
## Applications

- Wastewater Flow Accumulation
- Water Treatment Systems
- Filtration Systems
- Feed Pump Pulsing
- Fertigation
- Irrigation
- Commercial Pools & Spas
- Groundwater Remediation
- HVAC
- Process Flow Monitoring
- UPW Distribution
- Demineralizer Regeneration
- Process Cooling Water
- Neutralization Systems

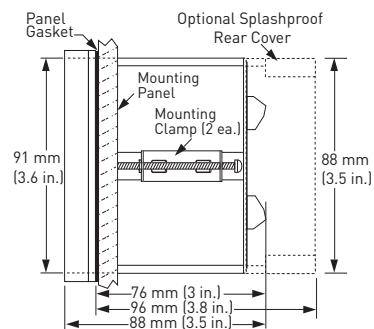
# Specifications

General		
Operating Range	0.5 Hz to 10 kHz	
Accuracy	± 0.5% of reading	
Display	Analog	Six slide-in dial ranges - 0 to 2, 4, 6, 8, 10 & 100 w/multipliers
	Digital	Backlit LCD, 2x16 alphanumeric character
Additional Functions	Sensor pulse output, volumetric auxiliary pulse output, remote totalizer reset	
Materials		
Enclosure	ABS plastic	
Keypad	Silicone rubber	
Panel and Case Gasket	Neoprene	
Window	Hard-coated polycarbonate	
Electrical		
Power Requirements	12 to 24 VAC or VDC ±10%, regulated recommended, 50 to 60 Hz, 10W max.	
Current Output	4 to 20 mA, non-isolated, active, internally powered	
Loop Impedance	350 Ω max. @ 12 V	
	950 Ω max. @ 24 V	
Accuracy	± 0.1%	
Update Rate	100 msec	
Alarm Contacts	Two SPDT relays: High/Low/Pulse programmable with adj. hysteresis for exiting alarm condition	
	5 A @ 30 VDC	
	5 A @ 125 VAC	
	3 A @ 250 VAC max.	
Environmental		
Operating Temperature	-10 °C to 55 °C	14 °F to 131 °F
Relative Humidity	0 to 95%, non-condensing	
Enclosure	NEMA 4X/IP65 (front face only)	
Shipping Weight		
	0.08 kg	1.8 lb
Standards and Approvals		
CE, UL, CUL		
China RoHS		
Manufactured under ISO 9001 for Quality and ISO 14001 for Environmental Management		

# Dimensions



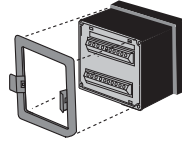
Front View



Side View

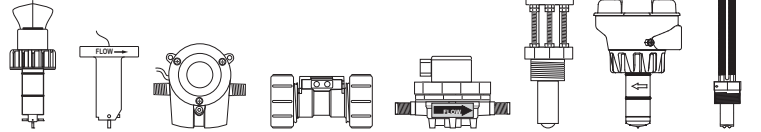
Panel Mount

**Signet 5500  
Flow Instrument**  
(includes mounting bracket  
and panel gasket)

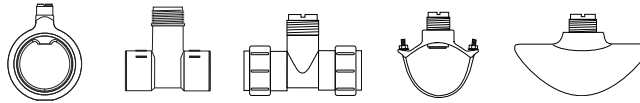


Signet Sensors

515	525	2000	2100
2507	2536	2537	2540
2551	2552		



Signet fittings  
or end connectors  
as required



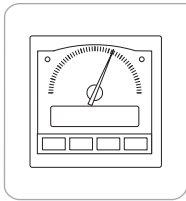
All sold separately

**Ordering Notes**

- 1) Panel cutout should be 92 x 92 mm (3.62 x 3.62 in.)
- 2) Reversible dials are included and are scaled from 0 to 2, 0 to 4, 0 to 6, 0 to 8, 0 to 10, and 0 to 100.
- 3) An optional splashproof rear cover can be ordered separately if needed.
- 4) Flow rate unit tags are provided for labeling dials appropriately in units of gpm, lpm, etc.

Please refer to Wiring, Installation, and Accessories sections for more information.

## Ordering Information



Mfr. Part No.	Code	Description
3-5500	<b>198 825 002</b>	5500 Flow Monitor

## Accessories and Replacement Parts

Mfr. Part No	Code	Description
<b>Mounting</b>		
3-5000.395	<b>198 840 227</b>	Splashproof rear cover kit
3-5000.399	<b>198 840 224</b>	5 x 5 inch adapter plate to retrofit older Signet installations
3-5000.598	<b>198 840 225</b>	Surface mount bracket (panel mount only)
3-0000.596	<b>198 000 641</b>	Heavy duty wall mount bracket (panel mount only)
<b>Liquid Tight Connectors</b>		
3-9000.392	<b>159 000 368</b>	Liquid tight connector kit (includes 3 connectors)
3-9000.392-1	<b>159 000 839</b>	Liquid tight connector kit, NPT (1 connector)
3-9000.392-2	<b>159 000 841</b>	Liquid tight connector kit, PG 13.5 (1 connector)
<b>Replacement Parts</b>		
3-5000.390	<b>159 000 323</b>	Installation kit (ProPoint® screws, clamps, mounting brackets)
3-5000.525-1	<b>198 840 226</b>	Bezel, 5000 series
3-5500.390	<b>159 000 347</b>	Dial kit
3-5500.611	<b>198 840 230</b>	Unit tags
3-5000.397	<b>159 000 326</b>	5000 series window (window, keypad, & screws)
<b>Other</b>		
3-5000.398	<b>159 000 646</b>	Protective overlay kit (10 pcs.)
3-5000.075	<b>159 000 321</b>	110V/24 VAC transformer
3-8050.396	<b>159 000 617</b>	RC filter kit (for relay use)