



Calibration Kit, 100,
10 & 0.02 NTU/FNU



Calibration Kit, 1000,
10 & 0.02 NTU/FNU

The Calibration Standard kits contain fluids in special cuvette bottles that are used to compare the clarity of the process water against the standard to calibrate the turbidity instrument. The standard kits come in two pre-mixed, calibrated ranges.

The 0-100 version is generally used for measuring the turbidity of clean, potable water applications. The 0-1,000 version is used to measure water that has a turbidity which may exceed 100, such as water in a reclamation plant.

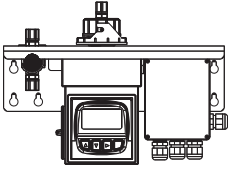
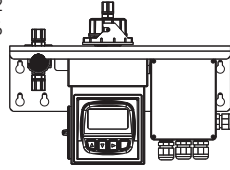


Features

- Stable pre-mixed standards that are certified accurate
- Sealed calibration cuvettes
- Shelf life - 18 months
- Easy to follow instructions
- Kits for easy use

Applications

- Potable Water Filtration
- Water Reclamation
- Food and Beverage Plants

System Overview

Panel Mount	
<p>Signet Turbidimeter 4150-3 4150-4</p> 	<p>Signet Turbidimeter 4150-1 4150-2 4150-5 4150-6</p> 
<p>Signet Calibration Kit Turbidity 100 NTU/FNU</p> 	<p>Signet Calibration Kit Turbidity 1000 NTU/FNU</p> 

All sold separately

Ordering Information

Mfr. Part No.	Code	Description
3822-4001	159 001 585	*Calibration Kit, Turbidity, 100, 10 & 0.02 NTU/FNU
3822-4003	159 001 586	*Calibration Kit, Turbidity, 1000, 10 & 0.02 NTU/FNU
4150-0007	159 001 602	Replacement cuvette set (3 glass cuvettes)
4150-0004	159 001 589	Replacement cuvette with ultrasonic transducer

* Material Safety Data Sheets (MSDS) are available online at www.gfsignet.com

3-4150-3822.099 Rev B (11/11)

© Georg Fischer Signet LLC

3401 Aerojet Avenue, El Monte, CA 91731-2882 U.S.A. • Tel. (626) 571-2770 • Fax (626) 573-2057 • www.gfsignet.com • e-mail: signet.ps@georgfischer.com
 Specifications subject to change without notice. All rights reserved. All corporate names and trademarks stated herein are the property of their respective companies.

Formazin Stock Kit for Signet 4150 Turbidimeter



The Formazin Stock Kit contains all chemicals and instructions to dilute/ mix calibration standards between 1.0 and 1980 NTU/FNU.

The Formazin Stock Kit can be used to calibrate third party turbidity instruments as well as the Signet 4150 Turbidimeter.

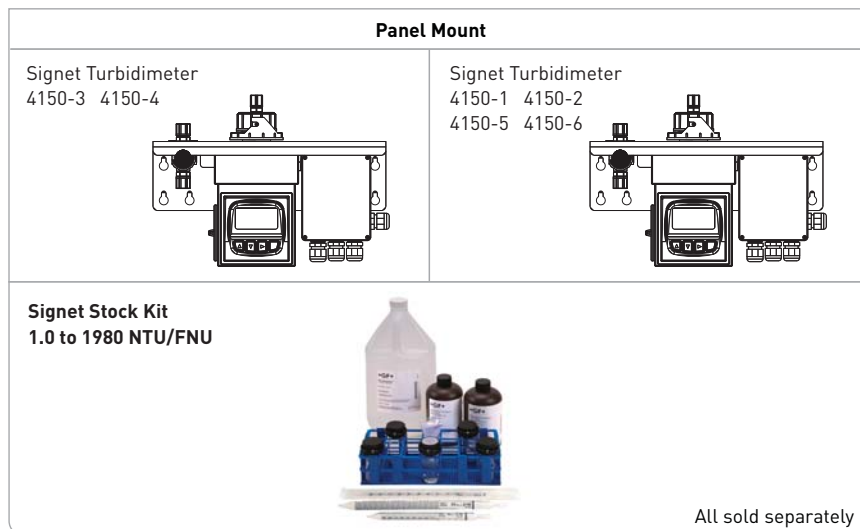
Features

- Turbidity standard for most any value
- Three different graduated pipettes included
- Four glass cuvettes with light shield caps
- Easy to follow instructions

Applications

- Potable Water Filtration
- Water Reclamation
- Food and Beverage Plants

System Overview



Contents	P/N 3822-4002	Units	Qty.
0.02 NTU/FNU standard		ea.	1
Instruction sheet		ea.	1
Formazin 4000 NTU/FNU Stock Solution		500 mL	2
Turbidity-free 0.02 NTU/FNU water		1 gal (4 L)	1
Selected cuvettes with cuvette stand		ea.	4
Light shield caps with O-rings		ea.	4
Pipettes (1 mL, 10 mL, 25 mL with graduated scales)		set	1

Ordering Information

Mfr. Part No.	Code	Description
4150-0007	159 001 602	Replacement cuvette set (3 glass cuvettes)
4150-0004	159 001 589	Replacement cuvette with ultrasonic transducer
3822-4002	159 001 591	*Formazin Stock Kit
3822-4000	159 001 592	*Formazin Stock Solution, 4000 NTU/FNU, 500 ml

* Material Safety Data Sheets (MSDS) are available online at www.gfsignet.com

3-4150-3822.099 Rev B (11/11)

© Georg Fischer Signet LLC

3401 Aerojet Avenue, El Monte, CA 91731-2882 U.S.A. • Tel. (626) 571-2770 • Fax (626) 573-2057 • www.gfsignet.com • e-mail: signet.ps@georgfischer.com
 Specifications subject to change without notice. All rights reserved. All corporate names and trademarks stated herein are the property of their respective companies.