



The Signet 2630 Amperometric Chlorine electrode is designed to measure free chlorine in drinking water and post wastewater treatment applications. The electrode is available with a measurement range of 0 to 5 ppm. This electrode requires the Signet 2650 Amperometric Electronics module to communicate with the Signet 8630-3P Chlorine Transmitter.

Utilizing smart-sensor technology, this electrode has a unique embedded memory chip and can communicate a wide variety of information to the Signet 2650 electronics and Signet 8630-3P Transmitter.

Displayed information includes electrode type, factory calibration data, service time, chlorine range, high and low pH (with optional Signet pH electrode), temperature values and more.

Signet's patented DryLoc® connector provides quick assembly and a secure connection. Gold-plated contacts and an O-ring seal ensure a waterproof and reliable interconnect to the Signet 2650 Amperometric Electronics.

The Signet 2630 Amperometric Chlorine Electrode has an integrated temperature element for automatic temperature compensation.

Features

- Embedded memory chip accessible via the Signet 8630 transmitter
- Quick assembly with Signet's patented DryLoc® connector
- Integrated temperature element for automatic temperature compensation
- Separate drive electronics (Signet 2650), for easy electrode replacement without running new cable



Applications

Residual Chlorine Monitoring:

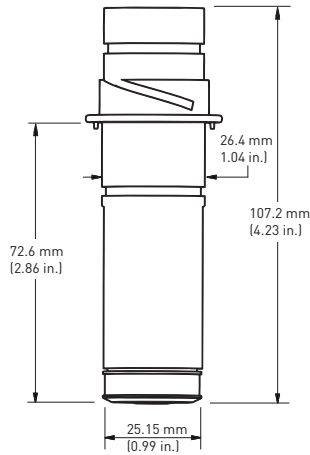
- Water Distribution
- Ground Water
- Surface Water
- HVAC Applications (cooling water)
- Boiler Feed Water
- Gray Water Dechlorination
- Food and Beverage
- RO Membrane Protection
- Swimming Pools
- Aquariums
- Water Parks

Specifications

General		
Polarization Source	Signet 2650 Amperometric Electronics	
Compatibility	3-3610-1 Flow Cell, Clear PVC 1/2" Tee	
	3-3610-2 Flow Cell, Clear PVC 1/2" Tee, Barb Conn	
	3-4630.392 Acrylic flow cell complete with all components and connections	
Mounting	Signet DryLoc connection	
Materials	CPVC	
Free Chlorine		
Membrane Material	PVDF	
O-ring Material	FPM	
Working Electrode	Gold	
Counter Reference Electrode	Silver halide	
Wetted Material		
	PVC, PVDF, FPM	
Performance		
Electrode		
Repeatability	±0.08 ppm (mg/l) or 3% of selected range whichever is less	
Slope	10 to 60 nA/ppm (mg/l)	
Response Time, T90	< 2 minutes	
System (including electronics and instrument)		
Accuracy	< ±3% of electrode signal after calibration	
Resolution	±0.5% of electrode range	
Sensor Conditioning		
New, first start-up	4 hours maximum before calibration	
Subsequent start-ups	2 hours maximum	
Temperature Element	PT1000, Class B	
Operational Ranges and Limits		
Free Chlorine Range	0 to 5 ppm (mg/l)	
Free Chlorine pH Operating Range	5.0 to 9.0 pH	
Operating Temperature	0 °C to 45 °C	32 °F to 113 °F
Maximum Operating Pressure		
Membrane	0.48 bar @ 25 °C (7 psi @ 77 °F)	
Flow Velocity Across Membrane Surface		
Minimum	15 cm/s (0.49 ft/s)	
Maximum	30 cm/s (0.98 ft/s)	
Interferences	ClO ₂ , ozone, bromine	
Chemical Compatibility	< 50% ethanol/water, < 50% glycerol/water	
Environmental		
Operating Temperature	0 °C to 45 °C	32 °F to 113 °F
Storage Temperature	-10 °C to 60 °C	-4 °F to 140 °F
Relative Humidity	0 to 95% indoor/outdoor non-condensing to rated ambient	
Shipping Weight		
	0.14 kg	0.30 lb
Standards and Approvals		
	CE	
	China RoHS	
	Manufactured under ISO 9001 for Quality	

Dimensions

3-2630-2



System Overview	
Panel Mount	
Signet Instrument 8630-3P	
Signet Amperometric Electronics 2650-7	
Signet 2630-2 Chlorine Electrode	
Signet Fitting 3610	
All sold separately	

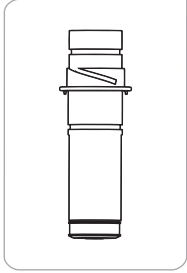
Application Tips

- The sensors should not be used in water containing surfactants, oils, organic chlorine or stabilizers such as cyanuric acid.

Ordering Notes

- The sensor must have a stable and constant flow of water past its membrane for accurate free chlorine measurement. Typical flow rate should be 30.24 - 45.36 lph (8 - 12 gph).

Ordering Information



Mfr. Part No.	Code	Description
3-2630-2	159 001 662	Free Chlorine electrode, 0 to 5 ppm (mg/l)

Accessories and Replacement Parts

Mfr. Part No.	Code	Description
3-2630.391	159 001 674	Electrolyte kit, 30 ml bottle with syringe and needle
3-2630.392	159 001 675	Replacement membrane (1)
3-2630.396	159 001 676	Electrolyte replacement kit - 30 ml electrolyte bottles (2), needles (2) and membranes (2) with syringe
3-3610-1	159 001 683	Flow Cell, Clear PVC 1/2" Tee
3-3610-2	159 001 684	Flow Cell, Clear PVC 1/2" Tee, Barb Conn

3-2630.099 Rev D (10/11)

© Georg Fischer Signet LLC

3401 Aerojet Avenue, El Monte, CA 91731-2882 U.S.A. • Tel. (626) 571-2770 • Fax (626) 573-2057 • www.gfsignet.com • e-mail: signet.ps@georgfischer.com
Specifications subject to change without notice. All rights reserved. All corporate names and trademarks stated herein are the property of their respective companies.