

Member of the ProcessPro® Family of Transmitters



The Signet 3-8630-3P ProcessPro Chlorine Transmitter simultaneously displays free chlorine and pH levels on a bright LCD backlight display.

The 8630 transmitter has two 4 to 20 mA outputs that can be programmed to transmit chlorine, pH or temperature information to a data collection device.

Two dry-contact mechanical relays can be used to deliver an alarm signal or activate a chlorine dosing system.

Programming is simple and easy with Signet's standard 4-button keypad. The menu option allows the use of an optional pH sensor to accurately calculate free chlorine level or select "Manual pH input" and enter the applications stable pH level to determine free chlorine levels.

## Features

- Displays free chlorine 0 to 5 ppm (mg/l)
- Two programmable 4 to 20 mA outputs
- Two mechanical relays
- Temperature and pH Compensation
- Displays diagnostic information from sensor memory
- Simple setup and easy customization
- Backlit LCD display



## Applications

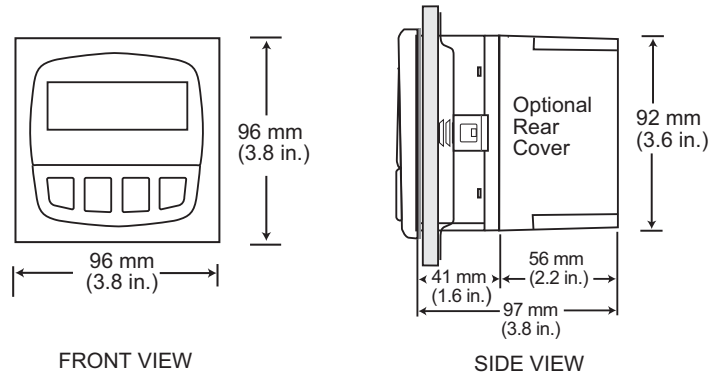
### Residual Chlorine Monitoring:




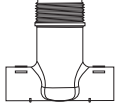
- Water Distribution
- Ground Water
- Surface Water
- HVAC Applications (cooling water)
- Gray Water Dechlorination
- Food and Beverage
- RO Membrane Protection
- Swimming Pools
- Aquariums
- Water Parks

# Specifications

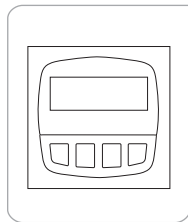
General		
Compatibility		3-2630-2 Free Chlorine Electrode / 3-2650-7 Amperometric Electronics
		3-2724-00 Flat pH Electrode / 3-2750-7 pH Sensor Electronics
Display	LCD	Backlit alphanumeric 2 x16 character dot matrix
Materials		
Case		PBT
Panel Case Gasket		Neoprene
Window		Polyurethane-coated polycarbonate
Keypad		Silicone rubber
Performance		
System Operational Ranges		Free Cl 0 to 5 ppm
		pH Input Range 0 to 14 pH
Chlorine Compensation Range		pH 5.0 to 9.0 pH (Free Chlorine)
Temperature Range		0 °C to 45 °C 32 °F to 113 °F
Max. Cable Distance		Digital (S <sup>3</sup> L) 30 m (100 ft) max.
		4 to 20 mA output 305 m (1,000 ft) max.
Electrical		
Power		12 to 24 VDC ±10%, regulated, 250 mA max. current
Sensor Power		5 VDC ±1% @ 25 °C, regulated
Input Specifications		One Digital (S <sup>3</sup> L) input from Amperometric sensor
		One Digital (S <sup>3</sup> L) input from pH sensor
Output Specifications		Current Loop (2 loops provided)
		4 to 20 mA, isolated, adjustable span, reversible with minimum and maximum endpoint adjustment.
Update Rate		300 ms
Max Loop Impedance		50 Ω max. @ 12 V
		325 Ω max. @ 18 V
		600 Ω max. @ 24 V
Relay Outputs		2 mechanical SPDT contacts: High, Low, Off Pulse, or Window range
Maximum Voltage Rating		5 A @ 30 VDC 5 A @ 250 VAC, resistive load
Hysteresis		User adjustable
Time Delay		Programmable from 0 to 6400 s
Environmental		
Operating Temperature		-25 °C to 120 °C -13 °F to 248 °F
Storage Temperature		-15 °C to 80 °C 5 °F to 176 °F
Relative Humidity		0 to 95%, non-condensing
Max. Altitude		2000 m (6,562 ft)
Enclosure		NEMA 4X/IP65 (front face only)
Shipping Weight		
		0.5 kg 1.10 lb
Standards and Approvals		
		CE, UL, CUL
		RoHS compliant
		China RoHS
		Manufactured under ISO 9001 for Quality and ISO 14001 for Environmental Management

# Dimensions



Panel Mount	
System Overview	<p><b>Signet 8630-3P Chlorine Transmitter</b></p> 
	<p>Signet Amperometric Electronics 2650-7</p> 
	<p>Signet Electrode 2630-2</p>  <p style="text-align: right;">All sold separately</p>
	<p>Signet Fitting 3610</p> 

## Ordering Information



Mfr. Part No.	Code	Description
3-8630-3P	<b>159 001 673</b>	Panel mount chlorine and pH transmitter

## Accessories and Replacement Parts

Mfr. Part No.	Code	Description
<b>Mounting</b>		
3-8050.395	<b>159 000 186</b>	Splashproof rear cover (panel mount only)
3-0000.596	<b>159 000 641</b>	Heavy duty wall mount bracket (panel mount only)
3-5000.598	<b>198 840 225</b>	Surface mount bracket (panel mount only)
<b>Liquid Tight Connectors</b>		
3-9000.392	<b>159 000 368</b>	Liquid tight connector kit for rear cover (3 connectors)
3-9000.392-1	<b>159 000 839</b>	Liquid tight connector kit, NPT (1 connector)
3-9000.392-2	<b>159 000 841</b>	Liquid tight connector kit, PG 13.5 (1 connector)
<b>Other</b>		
3-8050.396	<b>159 000 617</b>	RC filter kit (for relay use), 2 per kit