

Signet 5900 Salinity Monitor



Check out the 9900 Transmitter for your single channel needs

Member of the ProPoint® Family of Monitors



The Signet 5900 Salinity Monitor utilizes conductivity sensors to provide direct reading, including calibration, of salinity in parts per thousand (PPT). Equipped with a scaleable 4 to 20 mA output and two programmable relays, the monitor requires 12 to 24 volts, $\pm 10\%$, regulated, AC or DC, and is compatible with Signet 10 cm^{-1} or 20 cm^{-1} conductivity cells. Temperature is selectable for display in either $^{\circ}\text{C}$ or $^{\circ}\text{F}$, and compensation is automatic.

Calibration is simplified with single-point salinity and temperature entry via the wet-cal menu sequence. The four-button keypad arrangement with intuitive software design is user-friendly, and is offered with a hard-coated, high impact, and UV resistant polycarbonate front face. The front panel is rated NEMA 4X/IP65 and an optional splashproof cover is available to protect the back of the instrument.

Features

- Direct reading and calibration in PPT
- Dual proportional control capability
- Scaleable 4 to 20 mA output (active) internally powered
- Two programmable relays
- Tamper-proof security code
- Analog and digital display
- Non-volatile memory
- Compatible with ALL Signet conductivity electrodes
- Versatile low voltage power requirement
- NEMA 4X/IP65



Applications

- Desalination
- Saltwater Production
- Aquatic Animal Life Support Systems
- Aquaculture
- Environmental Studies

Specifications

General

Operating Range (for sensors)

	Salinity	1 to 80 ppt (parts per thousand)	
	Temperature	-5 °C to 100 °C	23 °F to 212 °F
Accuracy		± 2% of reading	
Display	Analog	Reversible dials: 0 to 2, 4, 6, 8, 10 and 100	
	Digital	Backlit LCD, 2x16 alphanumeric characters	

Materials

Enclosure	ABS Plastic
Keypad	Silicone Rubber
Panel and Case Gasket	Neoprene
Window	Hard-Coated Polycarbonate

Electrical

Power Requirements	12 to 24 VAC or DC ±10%, regulated recommended, 50 to 60 Hz, 10W max.
Current Output	4 to 20 mA, non-isolated, active, internally powered
Loop Impedance	350 Ω max. @ 12 V
	950 Ω max. @ 24 V
Accuracy	± 0.1%
Alarm Contacts	Two SPDT relays
	5 A @ 30 VDC
	5 A @ 125 VAC
	3 A @ 250 VAC max.
	High/low/pulse programmable with adjustable hysteresis
	Dual proportional control capability, up to 300 pulses per minute

Environmental

Operating Temperature	-10 °C to 55 °C	14 °F to 131 °F
Relative Humidity	0 to 95%, non-condensing	
Enclosure	NEMA 4X/IP65 (front face only)	

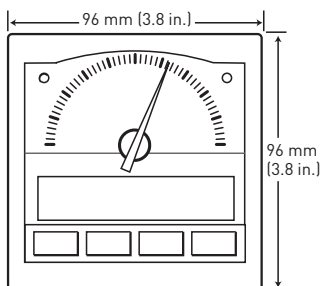
Shipping Weight

	0.8 kg	1.8 lb
--	--------	--------

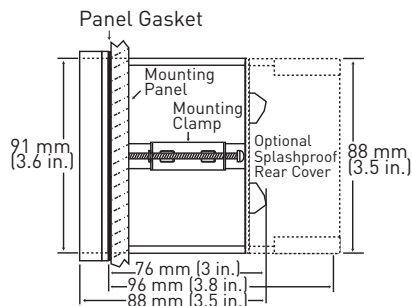
Standards and Approvals

	CE, UL, CUL
	China RoHS
	Manufactured under ISO 9001 for Quality and ISO 14001 for Environmental Management

Dimensions


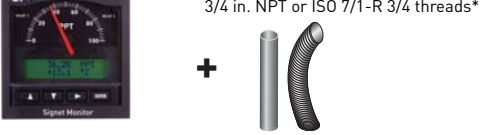
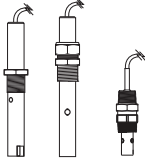


Front View



Side View

System Overview

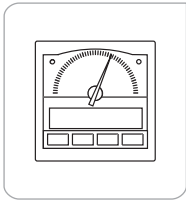
In-Line Installation	Submersible Installation
Panel Mount	Panel Mount
<p>Signet 5900 Salinity Monitor</p> 	<p>Signet 5900 Salinity Monitor and customer supplied pipe extension or conduit with 3/4 in. NPT or ISO 7/1-R 3/4 threads*</p> 
<p>Signet Electrodes 2822-2823 2842</p> 	
<p>Note: Submersible installation not applicable for Sanitary Electrode.</p>	
In-Line Installation - Customer supplied fittings	All sold separately

Ordering Notes

- 1) Panel cutout should be 92 x 92 mm (3.62 x 3.62 in.)
- 2) Reversible dials are included and are scaled from 0 to 2, 0 to 4, 0 to 6, 0 to 8, 0 to 10, 0 to 100.
- 3) An optional splashproof rear cover can be ordered separately if needed for outdoor environments.
- 4) Use RC filter kits to protect relays from voltage spikes.

Please refer to Wiring, Installation, and Accessories sections for more information.

Ordering Information



Mfr. Part No.	Code	Description
3-5900	198 825 008	Salinity Monitor with 4 to 20 mA output and two relays

Accessories and Replacement Parts

Mfr. Part No.	Code	Description
Mounting		
3-5000.395	198 840 227	Splashproof rear cover kit
3-5000.598	198 840 225	Surface mount bracket (panel mount only)
3-5000.399	198 840 224	5 x 5 inch adapter plate to retrofit older Signet installation
3-8050.392	159 000 640	¼ DIN retrofit adapter
3-0000.596	159 000 641	Heavy duty wall mount bracket (panel mount only)
Liquid Tight Connectors		
3-9000.392	159 000 368	Liquid tight connector kit for rear cover (3 connectors)
3-9000.392-1	159 000 839	Liquid tight connector kit, NPT (1 connector)
3-9000.392-2	159 000 841	Liquid tight connector kit, PG 13.5 (1 connector)
Miscellaneous		
3-5000.390	159 000 323	Installation kit
3-5000.397	159 000 326	5000 series window kit (window, keypad, and screws)
3-5000.525-1	198 840 226	Bezel, 5000 series
3-5500.390	159 000 347	Dial kit
3-5500.611	198 840 230	Unit tags
3-5000.398	159 000 646	Protective overlay kit (10 pcs)
3-8050.396	159 000 617	RC filter kit (for relay use), 2 per kit