



The new 0251 PC COMM Configuration Tool interfaces with the Signet 9900 Transmitter allowing users to set, review, save and load all modifiable parameters.

Features

- User-friendly interface
- Configure settings such as instrument type, units and modify labels from the computer
- Back up and restore 9900 Transmitter configurations to a computer file
- Use a single file to clone multiple 9900 Transmitters
- Red and blue LED indicators for data and power
- 2 m (6 ft) USB extension cable
- 1 m (3 ft) 9900 interface cable



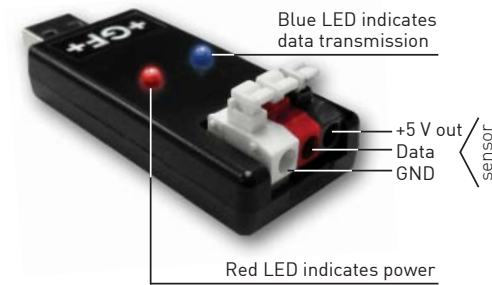
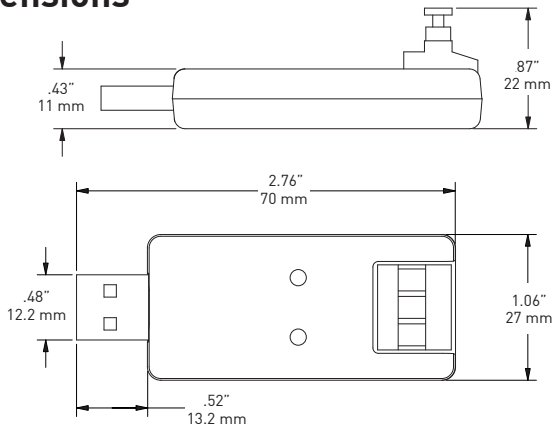
Compatibility

- 9900 Transmitter
- Windows XP, 32-bit
- Windows Vista®
- Windows 7 (32 and 64-bit versions)

Specifications

General	
Materials	ABS body
Power Requirements	0251 is powered by USB port on computer
System Requirements	Windows XP, Windows Vista, Windows 7 (32 and 64 bit), free USB port, administrator account for installation
Inputs	3-wire (S ³ L) input
Output Specifications	USB 1.0 or greater
Standards and Approvals	
	CE
	RoHS compliant
	China RoHS

Dimensions



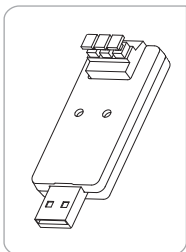
* for wiring reference please see manual

System Overview

Modifiable Parameters

- Instrument type
- Units of measure
- Customer configurable tag (label)
- 4 to 20 mA span
- 4 to 20 mA error value
- Relay and open collector modes
- Bar graph span
- Back light control
- LCD contrast
- Password
- and other instrument specific settings
- Modes (dependent on Instrument type)
 - Low set point
 - High set point
 - Window In
 - Window Out
 - PWM
 - Proportional Pulse
 - Cycle Low
 - Cycle High
 - Volumetric Pulse
 - Totalizer
 - Error

Ordering Information



Mfr. Part No.	Code	Description
3-0251	159 001 724	PC COMM configuration tool
6682-3004	159 001 725	Terminal block plug

3-0251.099 Rev A (10/11)

© Georg Fischer Signet LLC

3401 Aerojet Avenue, El Monte, CA 91731-2882 U.S.A. • Tel. (626) 571-2770 • Fax (626) 573-2057 • www.gfsignet.com • e-mail: signet.ps@georgfischer.com
 Specifications subject to change without notice. All rights reserved. All corporate names and trademarks stated herein are the property of their respective companies.