



Versatile and
larger

Metal butterfly
valves type 037
in DN50 to DN1200

Benefits

The metal butterfly valves type 037 can be used in a variety of ways. Their design is compact – their performance highly reliable.

Metal butterfly valves are ideal for shutting off and controlling the flow of liquid media in pipelines. They offer high temperature and pressure resistance as well as outstanding resistance to corrosion. Simply a high-performance valve that is reliable and durable. Applications - including the dimensions DN350 to DN1200 - can be found in water treatment and the chemical process industry.



Diverse fields of application

The metal butterfly valves type 037 from GF Piping Systems easily withstand high temperatures and pressures. The 037 butterfly valves can be employed at temperatures ranging from:

- 0° C to 80° C
(Rilsan® coated disc)
- -10° C to +120° C
(stainless steel disc).

They are extremely durable and wear resistant. This means less maintenance work and better cost efficiency.

New: Large dimensions

Due to increasing output and flow volumes, the requirements in piping system construction have changed in recent years. This has resulted in a growing demand for valves in a dimension range larger than DN300. GF Piping Systems meets this demand with the metal butterfly valve type 037 up to a nominal diameter DN1200/48". A big advantage of the valves in these dimensions is their compact design.

Compact design

The butterfly valves type 037 can be used as a wafer-type valve. The sealing collar acts as both the passage seal and the flange seal. The advantages of this shut-off valve is the space-saving installation. The butterfly valves comply with the following standards in regard to the installation length:

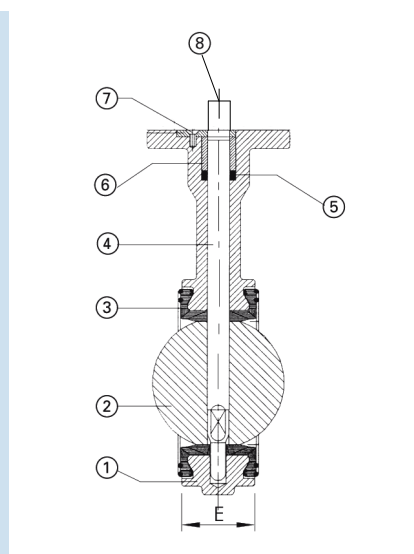
- per ISO 5752/20
- in ISO/DIN or ANSI flange connections.



Features

The metal butterfly valves type 037 stand out due to their compact design and outstanding reliability.

The focus at GF Piping Systems is always on the needs of our customers. The butterfly valves type 037 from GF Piping Systems are manually operated valves, equipped with hand lever or reduction gear. They are also available with electric or pneumatic actuators. Retrofitting the drive is possible at any time; this is also easily performed on a installed valve, as long as the piping system is depressurized.



Parts	Materials
① Valve body	<ul style="list-style-type: none"> • up to DN 300: Aluminum ASTM S12A, Rilsan® -coated • from DN350 to DN1200: ductile cast iron ASTM A395 M:88, Epoxy coated
② Disc	<ul style="list-style-type: none"> • ductile cast iron ASTM A395 M:88, Rilsan®-coated • from DN350 to DN1200: ductile cast iron ASTM A395 M:88, Epoxy coated • optional: Stainless Steel 1.4408/ASTM A351 CF8M • Alu-Bronze on request
③ Collar	<ul style="list-style-type: none"> • EPDM and FPM • CSM, NBR, EPDM «High Temp» on request
④ Shaft	<ul style="list-style-type: none"> • Stainless Steel 1.4021/AISI 420 • Stainless Steel 1.4401/AISI 316 on request
⑤ «Chevron» shaft seal	<ul style="list-style-type: none"> • Buna-N
⑥ Bearing bushes with safety clip	<ul style="list-style-type: none"> • up to DN500 natural nylon • from DN600 to DN1200 bronze
⑦ Screw	<ul style="list-style-type: none"> • stainless steel (DIN-7991), fastening of the bearing bush
⑧ Drive	<ul style="list-style-type: none"> • up to DN 300 hand lever, manual reduction gear, pneumatic and electric actuator • from DN 350 with manual reduction gear, pneumatic and electric actuator

GF Piping Systems → worldwide at home

Our sales companies and representatives ensure local customer support in over 100 countries.

www.piping.georgfischer.com



The technical data is not binding. They neither constitute expressly warranted characteristics nor guaranteed properties nor a guaranteed durability. They are subject to modification. Our General Terms of Sale apply.

Adding Quality to People's Lives

Argentina/Southern South America

Georg Fischer Central Plastics
Sudamérica S.R.L.
Buenos Aires, Argentina
Phone +5411 4512 02 90
gfccentral.ps.ar@georgfischer.com

Australia

George Fischer Pty Ltd
Riverwood NSW 2210 Australia
Phone +61(0)2 9502 8000
australia.ps@georgfischer.com
www.georgfischer.com.au

Austria

Georg Fischer
Rohrleitungssysteme GmbH
3130 Herzogenburg
Phone +43(0)2782 856 43-0
austria.ps@georgfischer.com
www.georgfischer.at

Belgium/Luxembourg

Georg Fischer NV/SA
1070 Bruxelles/Brüssel
Phone +32(0)2 556 40 20
be.ps@georgfischer.com
www.georgfischer.be

Brazil

George Fischer Ltda
04795-100 São Paulo
Phone +55(0)11 5525 1311
br.ps@georgfischer.com
www.georgfischer.com.br

Canada

Georg Fischer Piping Systems Ltd
Brampton, ON L6T 4E3
Phone +1(905)792 8005
Fax +1(905)792 6667
ca.ps@georgfischer.com
www.georgfischer.ca

China

Georg Fischer
Piping Systems Ltd Shanghai
Pudong, Shanghai 201319
Phone +86(0)21 58 13 33 33
china.ps@georgfischer.com
www.georgfischer.cn

Denmark/Iceland

Georg Fischer A/S
2630 Taastrup
Phone +45 (0)70 22 19 75
info.dk.ps@georgfischer.com
www.georgfischer.dk

France

Georg Fischer SAS
95932 Roissy Charles de Gaulle Cedex
Phone +33(0)1 41 84 68 84
fr.ps@georgfischer.com
www.georgfischer.fr

Germany

Georg Fischer GmbH
73095 Albershausen
Phone +49(0)7161 302-0
info.de.ps@georgfischer.com
www.georgfischer.de

India

Georg Fischer Piping Systems Ltd
400 076 Mumbai
Phone +91 224007 2001
in.ps@georgfischer.com
www.georgfischer.in

Italy

Georg Fischer S.p.A.
20063 Cernusco S/N (MI)
Phone +3902 921 861
it.ps@georgfischer.com
www.georgfischer.it

Japan

Georg Fischer Ltd
556-0011 Osaka,
Phone +81(0)6 6635 2691
jp.ps@georgfischer.com
www.georgfischer.jp

Korea

Georg Fischer Piping Systems
Guro-3 dong, Guro-gu, Seoul, Korea
Phone +82(0)2 2081 1450
Fax +82(0)2 2081 1453
kor.ps@georgfischer.com
www.georgfischer.kr

Malaysia

Georg Fischer (M) Sdn. Bhd.
40460 Shah Alam, Selangor Darul Ehsan
Phone +60 (0)3 5122 5585
my.ps@georgfischer.com
www.georgfischer.my

Mexico/Northern Latin America

Georg Fischer S.A. de C.V.
Apodaca, Nuevo Leon
CP66636 Mexico
Phone +52 (81)1340 8586
Fax +52 (81)1522 8906
mx.ps@georgfischer.com
www.georgfischer.mx

Middle East

Georg Fischer Piping Systems
Dubai, United Arab Emirates
Phone +971 4 289 49 60
info.export@georgfischer.com
www.export.georgfischer.com

Netherlands

Georg Fischer N.V.
8161 PA Epe
Phone +31(0)578 678 222
nl.ps@georgfischer.com
www.georgfischer.nl

Norway

Georg Fischer AS
1351 Rud
Phone +47(0)67 18 29 00
no.ps@georgfischer.com
www.georgfischer.no

Poland

Georg Fischer Sp. z o.o.
05-090 Sekocin Nowy
Phone +48(0)22 31 31 0 50
poland.ps@georgfischer.com
www.georgfischer.pl

Romania

Georg Fischer
Piping Systems Ltd
020257 Bucharest - Sector 2
Phone +40(0)21 230 53 80
ro.ps@georgfischer.com
www.export.georgfischer.com

Russia

Georg Fischer Piping Systems
Moscow 125047
Tel. +7 495 258 60 80
ru.ps@georgfischer.com
www.georgfischer.ru

Singapore

George Fischer Pte Ltd
528 872 Singapore
Phone +65(0)67 47 06 11
sgp.ps@georgfischer.com
www.georgfischer.sg

Spain/Portugal

Georg Fischer S.A.
28046 Madrid
Phone +34(0)91 781 98 90
es.ps@georgfischer.com
www.georgfischer.es

Sweden/Finland

Georg Fischer AB
117 43 Stockholm
Phone +46(0)8 506 775 00
info.se.ps@georgfischer.com
www.georgfischer.se
www.georgfischer.fi

Switzerland

Georg Fischer
Rohrleitungssysteme (Schweiz) AG
8201 Schaffhausen
Phone +41(0)52 631 30 26
ch.ps@georgfischer.com
www.piping.georgfischer.ch

Taiwan

Georg Fischer Piping Systems
San Chung City, Taipei Hsien
Phone +886 2 8512 2822
Fax +886 2 8512 2823
www.georgfischer.tw

United Kingdom/Ireland

Georg Fischer Sales Limited
Coventry, CV2 2ST
Phone +44(0)2476 535 535
uk.ps@georgfischer.com
www.georgfischer.co.uk

USA/Caribbean

Georg Fischer LLC
Tustin, CA 92780-7258
Phone +1(714) 731 88 00
Toll Free 800 854 40 90
us.ps@georgfischer.com
www.gf.piping.com

International

Georg Fischer
Piping Systems (Switzerland) Ltd.
8201 Schaffhausen/Switzerland
Phone +41(0)52 631 30 03
Fax +41(0)52 631 28 93
info.export@georgfischer.com
www.export.georgfischer.com

700.671.381

GFDO_6179/4 (01.10)

© Georg Fischer Piping Systems Ltd
CH-8201 Schaffhausen/Switzerland, 2010
Printed in Switzerland

+GF+

GEORG FISCHER
PIPING SYSTEMS